

# LUNA

4" Regressed Gimbal, Square, 700 Lumens, 9-12 Watts, Dim-to-Warm Recessed Downlighting

Job Information		
Project Name		Type
Location		
Quantity		Date
Contact/Phone		
Notes		

## Features

### Body

Durable airtight aluminum body with adjustable regressed gimbal. Includes anodized blue heat sink to provide maximum airflow for the LED light source.

### LED Characteristics

This general application light fixture features an LED module that maintains uniform intensity producing up to 700 lumens; with a typical CRI of 90. Available in 3000 K color temperature.

### Dimming

Color temperature dimming from 3000 K to 2000 K. This fixture is compatible with industry standard forward-phase / reverse-phase and TRIAC/ELV dimmers (contact factory for list of compatible dimmers).

### Beam Spread

The fixture lens provides 38° beam spread.

### Mounting

Includes two spring loaded clips to attached to any ceiling material.

### LED Driver

Extruded aluminum hardware box with 12 watt (300mA) or 9 watt (210mA) dimmable class II electronic LED driver with 100-135V AC input. Includes an 18" FT6 rated cable with DC 2.1 connector for use in plenums and suspended ceilings.

### Quick Connect push-in terminals

Three "Quick connect" push-in terminals for fast and easy wiring.

### Operating Temperature

-20°C~40°C (-4°F~104°F)

### Environment

- Suitable for wet locations.
- Approved for direct contact with insulation.
- Airtight

### QuickShip In-Stock

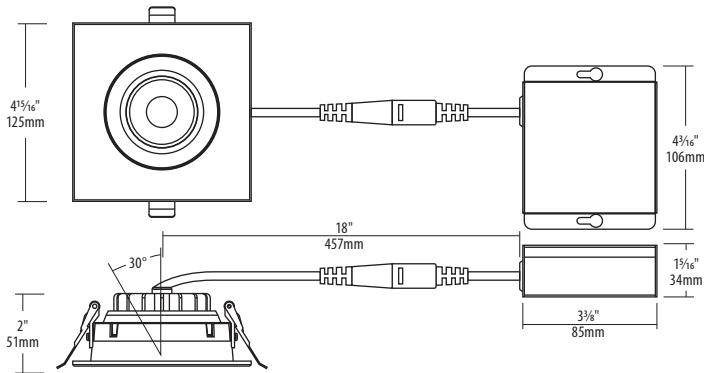
In-Stock products ship within two business days of an order being released.\*

SPECIFICATION	
Application	Ceiling Recess Mount
Approved Location	Wet / Insulated Ceilings
Beam Angle	38°
CCT	3000 K~2000 K
Certification	cETLus
Class II	Yes
Color	BK / BN / OB / WH
CRI	90
Dimming	Yes
Dimming Tech	Forward/reverse-phase TRIAC/ELV
Hole Cut	Ø 4 1/4" (108mm)
Input	100-135V AC, 50 / 60Hz
Lumens	Up to 700
Lumens per Watt	Up to 59
Power Factor	0.9
Projected Life	70% @ 33,000 hrs
Warranty	Lifetime
Wattage	9W / 12W



## Description

Evolved to be a flexible, low-glare, and aesthetically pleasing luminaire, the LUNA Designer Series offers contractors, builders, homeowners and designers, a fixture with regressed optics abilities, to promote on-site flexibility, while enhancing sleek, directional lighting in both commercial and residential spaces.



**Notes:** Accessories are sold separately. For additional options please consult your Liteline representative. Due to our continued efforts to improve our products, product specifications are subject to change without notice.

## Ordering Guide

<p><b>Wattage</b></p> <p><b>RA4S</b> <input type="text"/> <b>RG-DTW90</b> <input type="text"/></p> <p><b>12</b> : 12 watt <b>9</b> : 9 watt</p> <p><b>QUICKSHIP</b> 2-DAY</p>	<p><b>Driver Options</b></p> <p><input type="text"/></p> <p>Leave blank for standard 120V driver <b>E</b> : Lutron Hi-Lume® 1% (EcoSystem®) <b>EM</b> : Emergency Backup, 120-277V, 0-10V <b>C</b> : 120-347V, 0-10V</p>	<p><b>Trim Finish</b></p> <p><input type="text"/></p> <p><b>BK</b> : Black <b>BN</b> : Brushed Nickel <b>WH</b> : White <b>OB</b> : Oil Rubbed Bronze</p>
---	--	---

Highlighted option denotes QuickShip.

\* QuickShip lead time may vary for orders greater than 100 pieces. No additional shipment rates apply. Subject to availability.

## Accessories



### SLM-60-FC

60" Flexible connector, for use with SlimLED fixtures.



### P-4020

4 1/4" Round pre-mounting plate with driver attachment clip, for 4" LUNA LED fixtures.



### P-4020NC

4 1/4" Round new construction plate with driver attachment clip, for 4" LUNA LED fixtures.



### P-NCMK-1

New construction mounting kit. Includes hanger bars, brackets and screws.



### VBE-1

Vapour barrier extender. For use in new construction applications.



### VBE-2

Vapour barrier extender. For use in remodel applications.



### VBE-3

Vapour barrier extender. For use in remodel applications.



### VBE-4

Vapour barrier extender. For use in remodel applications.



### VBE-5

Vapour barrier extender. For use in new construction applications.



### LC-CRTL-3WAY-1

OnCloud Smart Wi-Fi 3-Way Switch, compatible with WIZ App.



### LC-CRTL-DIM-1

OnCloud Smart Wi-Fi dimmer, 120V, compatible with WIZ App.