



**4-INCH  
RECESSED FOR  
REMODEL HOUSINGS**

**HV41-HR02  
LINE VOLTAGE**



PROJECT
FIXTURE TYPE
MODEL
LAMP
CONTACT/TELEPHONE

**Specifications**

**Description**

4" Remodel housing line voltage housing with remodel lock-in clips, complete with baffle. Can be used with 3.5" new construction mounting plate item #P-3500.

**Lamp Wattage / Type**

- Maximum 50W / PAR20, R20
  - Maximum 75W / PAR30L, R30
- (not included)

**Features**

- Thermally protected to prevent over heating.
- For use with various Liteline 120V, PAR20, R20 lamps 50W max.
- For use in finished ceilings (without insulation).

**Housing**

Pre-painted steel to protect against corrosion.

**Electrical**

- 3 concentric 2/8 in k.o. input 120V, 60 Hz.

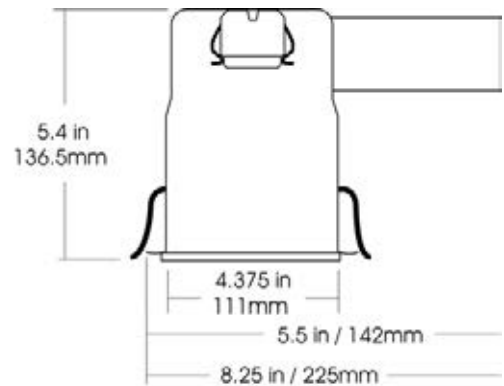
**Dimensions & Ordering Guide**

**Model**

- HV41-HR02-BK
- HV41-HR02-WH

**Description**

- 4" Remodel Housing with black baffle
- 4" Remodel Housing with white baffle



All dimensions are in inches / millimeters

**Listings**



**LITELINE CORPORATION**

8 Abacus Road, Brampton, Ontario, Canada L6T 5B7  
 Tel: 416-996-1856 • Fax: 905-794-1990 / 1-888-738-9736  
 E-mail: sales@liteline.com • Website: www.liteline.com

**Product specifications subject to change without notice.**