

# SLM4

SLIMLED<sup>®</sup>

4" Round LED Slim Profile Recess Retrofit, 9W, Wet Location Recess Lighting

Job Information		
Project Name		Type
Location		
Quantity		Date
Contact/Phone		
Notes		

## Features

### Body

Durable airtight aluminum body with UV stable paint and white PMMA diffuser lens for low glare. Includes silicone gasket for wet location applications.

### LED Characteristics

This general application light fixture features a 9 watt LED module that maintains uniform intensity producing up to 660 lumens; with a typical CRI of 90. Available in 2700 K, 3000 K, 3500 K or 4000 K color temperature.

### Dimming

100%-10% dimming capability. This fixture is compatible with industry standard TRIAC/ELV dimmers (contact factory for listing of compatible dimmers).

### Beam Spread

The fixture lens provides 120° beam spread.

### Mounting

Includes two spring loaded clips to

attached to any ceiling material. The slim profile allows to be mounted under joists or duct work.

### LED Driver

Extruded aluminum hardwire box with 210mA dimmable class II electronic LED driver with 100-135V AC input. Includes an 18" plenum rated FT6 wire with DC 2.1 connector from driver to fixture.

### Quick Connect push-in terminals

Three "Quick connect" push-in terminals for fast and easy wiring.

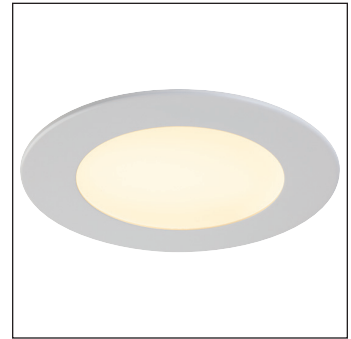
### Operating Temperature

-20°C~40°C (-4°F~104°F)

### Environment

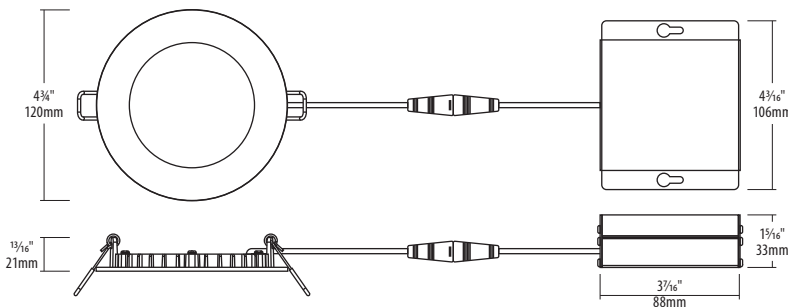
- Suitable for wet locations.
- Suitable for insulated ceiling applications.

SPECIFICATION	
Application	Ceiling Recess Mount
Approved Location	Wet / Insulated Ceilings
Beam Angle	120°
CCT	2700 K / 3000 K / 3500 K / 4000 K
Certification	cETLus
Class II	Yes
Color	BK / BN / SL / WH
CRI	90
Dimming	Yes
Dimming Tech	TRIAC/ELV
Energy Star	Yes
Hole Cut	Ø 4 3/16" (106mm)
Input	100-135V AC, 60Hz, 0.09A
LM79	Yes
LM80	Yes
Lumens	Up to 630 / 640 / 650 / 660 (based on WH)
Lumens per Watt	Up to 70 / 71 / 72 / 73 (based on WH)
Power Factor	>0.9
Projected Life	70% @ 50,000 hrs
Warranty	Lifetime
Wattage	9W



## Description

The SLM4 is a 9 watt 4" slim profile light fixture for recess retrofit application. It is a high-performance, easy to install downlight solution that offers good light output, energy-efficiency and streamlined design. Suitable for wet locations.



**Notes:** Accessories are sold separately. For additional options please consult your Liteline representative. Due to our continued efforts to improve our products, product specifications are subject to change without notice.

## Ordering Guide

Color Temperature	Driver Options	Trim Finish
<b>SLM4</b> - <input type="text"/>	<input type="text"/>	<input type="text"/>
27 : 2700 K 30 : 3000 K 35 : 3500 K 40 : 4000 K	Leave blank for standard 120V driver <b>E</b> : Lutron Hi-Lume <sup>®</sup> 1% (EcoSystem <sup>®</sup> ) <b>C</b> : 120~347V, 0-10V	<b>BK</b> : Black <b>BN</b> : Brushed Nickel <b>SL</b> : Silver <b>WH</b> : White

## Accessories

---



### SLM-60-FC

60" Flexible connector, for use with SlimLED fixtures.



### P-4020

4 1/4" Round pre-mounting plate with driver attachment clip, for 4" SlimLED wet location fixtures.



### P-NCMK-1

Hanger bar kit. Includes hanger bars, brackets and screws.



### VBE-1

Vapour barrier extender. For use in new construction applications.



### VBE-2

Vapour barrier extender. For use in remodel applications.



### VBE-3

Vapour barrier extender. For use in remodel applications.



### VBE-4

Vapour barrier extender. For use in remodel applications.



### SLM4-XLRING-WH

Extra large trim ring for 4" round SlimLED, plastic, white.