



**4" TILTING REAR
LOAD GIMBAL
TRIM**

GR-TH18R3XL



| |
|-------------------|
| PROJECT |
| FIXTURE TYPE |
| MODEL |
| LAMP |
| CONTACT/TELEPHONE |

Specifications

Description

The GR-TH18R3XL is a tilting round rear load gimbal ring with 3 clips. The GR-TH18R3XL has an angular adjustment of 35°. Available in White.

Features

- Rear load lamping.
- 35° adjustable from vertical

Lamp Wattage / Type

- Maximum 75W, 12V (GU5.3 base) MR16.
- Maximum 75W, 120V (medium base) MR16.
- Maximum 11W, CFL.

Trim Material

- Precision spun .040" steel to reduce aperture glare.

Housing

- Designed for use with all Liteline 4" low and line voltage recessed housings.

Listings



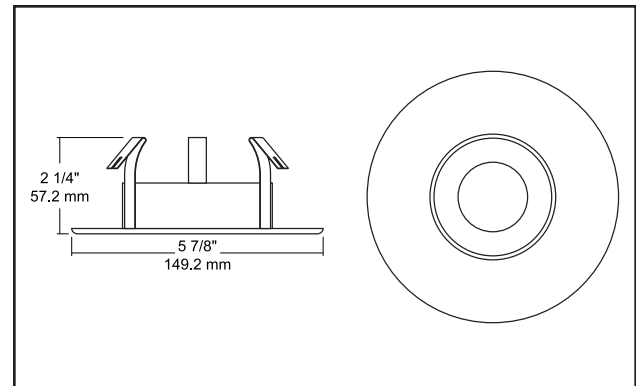
Dimensions & Ordering Guide

Model No.

GR-TH18R3XL-WH

Color

White



LITELINE CORPORATION

8 Abacus Road, Brampton, Ontario, Canada L6T 5B7
 Tel: 416-996-1856 • Fax: 905-794-1990 / 1-888-738-9736
 E-mail: info@liteline.com • Website: www.liteline.com

Product specifications subject to change without notice.

© Copyright 2007 Liteline Corporation.

REV014-12.6.10