

RTM418T

4" Trim with Tilting Gimbal
For MR16 Lamps

Job Information		
Project Name		Type
Location		
Quantity		Date
Contact/Phone		
Notes		

Features

Trim

Constructed of powder-coated steel with a low profile. Includes 2 enhanced side pressure clips in the lamp holder to accommodate halogen and LED MR16, GU10 and PAR16 lamps, which self center when installed into the trim. Finished with various colours to meet any design requirement. Lamp is rear loaded.

Aiming Adjustment

The trim includes a tilting center lamp holder that adjusts up to 35° and maintains the set angle, providing a wide range of accent and task applications.

Mounting

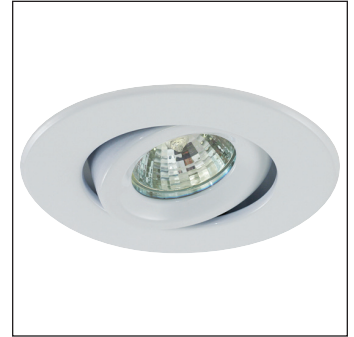
Two stainless steel torsion clips provide enhanced rigidity within the housing.

Lamps

- MR16 (GU5.3 base), 75W max., 12V.
- MR16 (GU10 base) 50W max. 120V.
- MR16 (E26 base) 50W max. 120V.
- LED MR16 (E26 base), 120V
- LED MR16 (Bi-Pin GU5.3 base), 120V.
- LED GU10, 120V.

SPECIFICATION

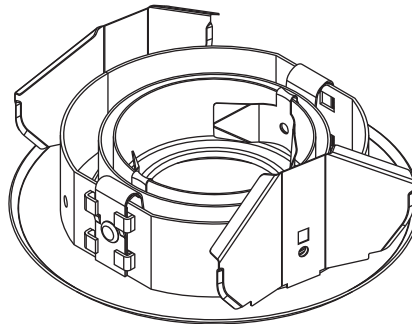
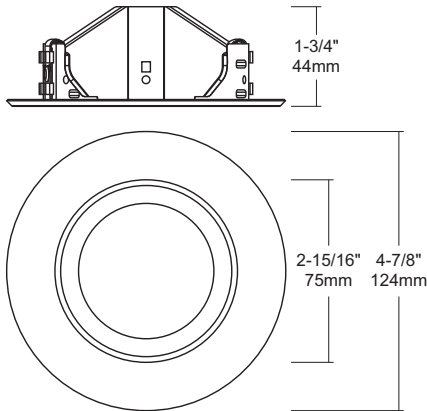
Aperture	4"
Application	Recessed
Approved Location	Damp
Box Type	White
Lamp Loading	Rear Loading
Lamp Type	MR16
Material	Steel
Max. Watt	75W
Tilt	35°
Trim Style	Gimbal



Description

The RTM418T is a powder-coated steel round gimbal trim. Simply designed to allow a clean look while still being functionally adjustable. The adjustable aiming capability (35° from vertical) provides versatility for a wide range of accent and task applications.

Notes: For additional options please consult your Liteline representative. Due to our continued efforts to improve our products, product specifications are subject to change without notice.



Ordering Guide



RTM418T-AB
4" Antique Brass tilting gimbal trim.



RTM418T-ST
4" Stainless Steel tilting gimbal trim.



RTM418T-BK
4" Black tilting gimbal trim.



RTM418T-TP
4" Taupe tilting gimbal trim.



RTM418T-BN
4" Brushed Nickel tilting gimbal trim.



RTM418T-WH
4" White tilting gimbal trim.



RTM418T-FWH
4" Flat White tilting gimbal trim.



RTM418T-MIV
4" Matte Ivory tilting gimbal trim.



RTM418T-ORB
4" Oil Rubbed Bronze tilting gimbal trim.

