

JOB NAME _____

CONTACT _____

ORDERING CODE _____

ORDERING CODE

PART NUMBER	350441	
DELIVERED LUMENS	20LM	1800 lm <small>Calculated Delivered Lumens = [Delivered Lumen Value] x [CCT Multiplier]</small>
CCT & LM MULTIPLIER	27K 30K 35K	2700K (0.98) 3000K (1.00) 3500K (1.02)
CRI	90	90 CRI
OPTICS	20 38 60	20° 38° 60°
VOLTAGE	120	120V
DIMMING	ELV	leading and trailing edge (Triac/ELV) dimming to 5%
FINISH	WH BK	white black
MOUNTING OPTION	SMBK surface mount, black SMWH surface mount, white PBK pendant, black PWH pendant, white MPBK monopoint with field cuttable stem, black MPWH monopoint with field cuttable stem, white ECOBK ECO/HALO black ECOWH ECO/HALO white ECOPWH ECO pendant, white ECOPBK ECO pendant, black JUNOBK JUNO, black JUNOWH JUNO, white LGTRBK LIGHTOLIER, black LGTRWH LIGHTOLIER, white GEOPTH GEO pendant, white GEOPTBK GEO pendant, black <small>Mounting finish must match fixture finish.</small>	
ACCESSORIES	See page 3 for details.	

GX25

Cylinder Fixture Multi-Mount



DESCRIPTION

GX25 is a cylinder fixture with multiple mounting applications with 1800lm at 90+ CRI. The GX25 can be specified as a track spot, canopy spot, surface mount cylinder or a pendant. It features optional lens and glare reduction accessories. It is offered in black or white matte finish.

HOUSING

Extruded aluminum housing with black or white finish.

MOUNTING

- ECO track / Halo® Power Trac track, Juno® track, and Lightolier®
- Monopoint with field cuttable stem
- Surface mount or field adjustable flexible cord pendant mounting option
- ECO pendant or GEO pendant mounting option

ELECTRICAL/CONTROLS

- 120Vac, 50-60Hz input, 22W
- Phase dimmable
- Leading and trailing edge (Triac/ELV) dimming
- 350° rotation, 90° tilt

LED INFO

- LED: Cree Xlamp® CXA1820
- SDCM: 3-step MacAdam Ellipse
- Lumen Maintenance: L₇₀ > 60,500 hrs

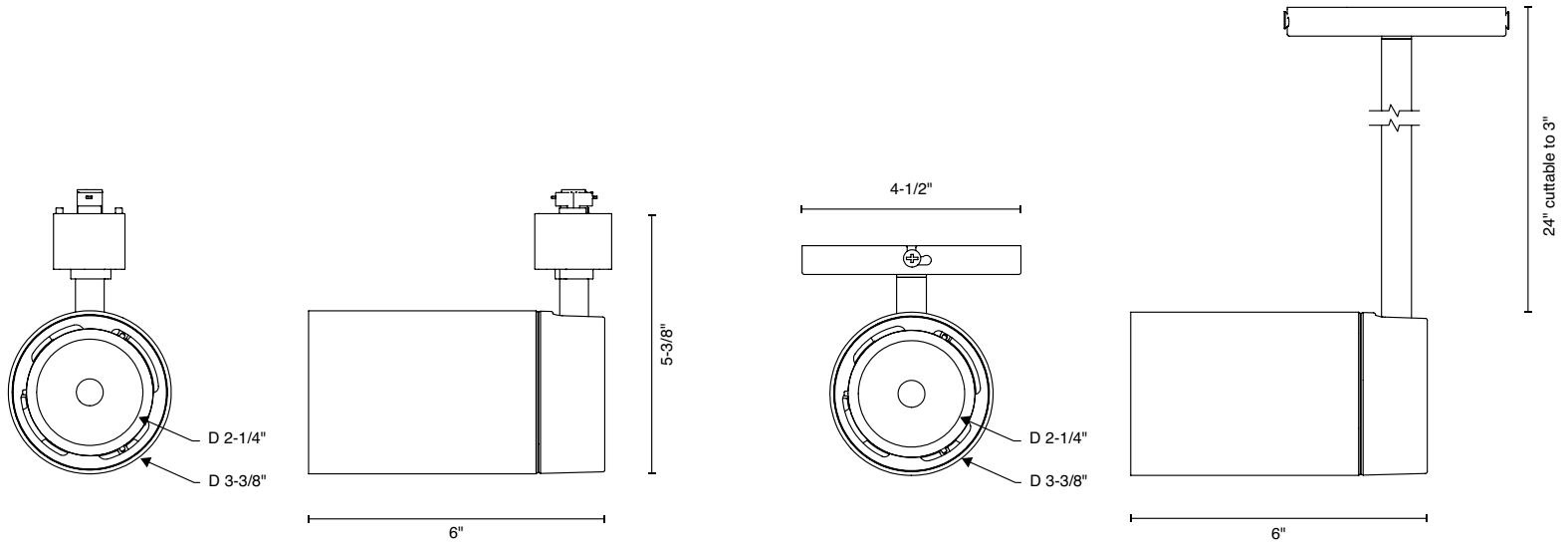
LISTINGS

- ETLus Listed to UL1574 (track suitable for dry locations only)
- cETL Listed to CSA C22.2 #9.0

ORDERING CODE

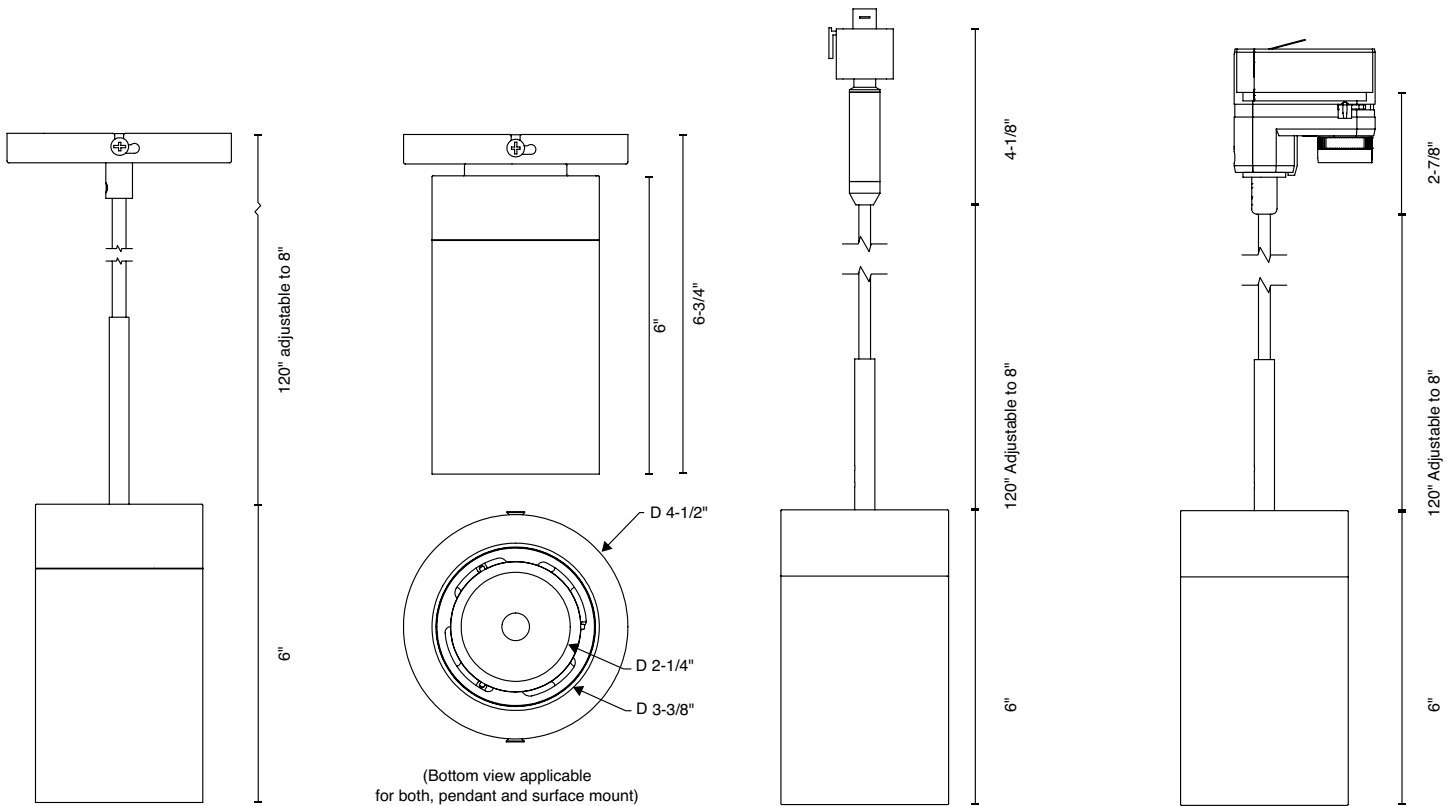
Follow the steps to specify your fixture, example:
350441 - 20LM - 30K - 90 - 38 - 120 - ELV - WH - ECOWH

MOUNTING OPTIONS



**ECO/HALO®/JUNO®/LIGHTOLIER®
MOUNT**

**MONOPOINT
MOUNT**



**PENDANT
MOUNT**

**SURFACE
MOUNT**

**ECO
PENDANT**

**GEO
PENDANT**

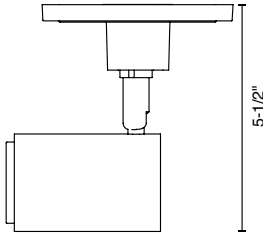
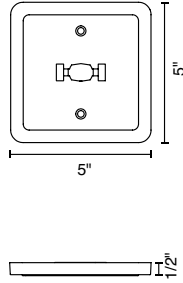
ACCESSORIES

Follow the steps to specify your fixture, example:
350441 - 20LM - 30K - 90 - 38 - 120 - ELV - WH - ECOWH - 350441/SNOOTBK

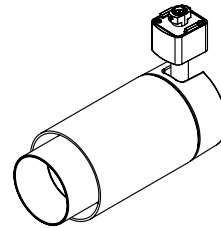
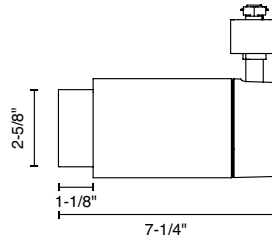
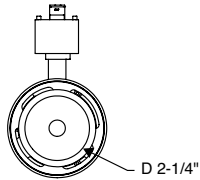
Accessories

- 350441/SNOOTBK snoot, black
- 350441/SNOOTWH snoot, white
- 350441/HCLBK honeycomb louver, black
- 350441/HCLWH honeycomb louver, white
- K20272/ECOMPBK ECO canopy, black
- K20272/ECOMPWH ECO canopy, white

ECO CANOPY ACCESSORIES



SNOOT



HONEYCOMB LOUVER

