

JOB NAME _____

CONTACT _____

ORDERING CODE _____

LM-79

SPEC6 Track Spot 6° Line Voltage

ORDERING CODE			
PART NUMBER	350402		
DELIVERED LUMENS	05LM	380 lm	Calculated Delivered Lumens = [Delivered Lumen Value] x [CCT Multiplier]
CCT & LM MULTIPLIER	30K	3000K (1.00)	
	35K	3500K (1.02)	
CRI	90	90 CRI	
OPTICS	6	6°	
VOLTAGE	120	120V	
DIMMING	ELV	Trailing Edge (ELV) Dimming	
FINISH	WH	white	
	BK	black	
MOUNTING OPTIONS ^{1,2}	ECOBK	ECO/HALO, black	
	ECOWH	ECO/HALO, white	
ACCESSORIES	See page 3 for details.		

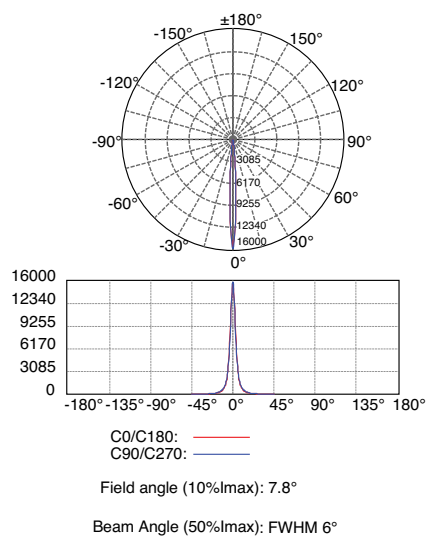


ORDERING CODE _____

Follow the steps to specify your fixture, example:
350402 - 05LM - 30K - 90 - 6 - 120 - ELV - WH - ECOWH

- NOTES**
- 1 Mounting finish must match fixture finish.
 - 2 For additional track adapter options consult factory.

PHOTOMETRIC DATA



DESCRIPTION
 Spec6 track spot features a precision 6° beam. It produces 380lm with a CBCP of 16,000cd. It is offered in black or white for ECO single circuit track.

HOUSING
 - Extruded aluminum housing with black or white finish.

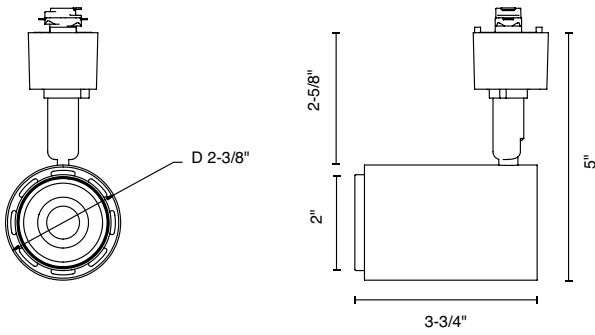
MOUNTING
 - ECO track / Halo® Power Trac track

ELECTRICAL/CONTROLS
 - 120Vac, 50-60Hz input, 7W
 - Phase dimmable
 - Trailing Edge (ELV) dimming
 - 350° rotation, 90° tilt

LED INFO
 - LED: Cree Xlamp® XHP35
 - SDCM: 3-step MacAdam Ellipse
 - Lumen Maintenance: L₇₀ > 60,500 hrs

LISTING
 - ETLus Listed to UL1574 (track suitable for dry locations only)
 - cETL Listed to CSA C22.2 #9.0

MOUNTING OPTIONS



**ECO/HALO®
MOUNT**

ACCESSORIES

Follow the steps to specify your fixture, example:
350402 - 05LM - 30K - 90 - 6 - 120 - ELV - WH - ECOWH - K20272/ECOMPBK

Accessories

- K20272/ECOMPBK ECO canopy, black
- K20272/ECOMPWH ECO canopy, white

ECO CANOPY ACCESSORIES

