

GD6WS / ISW600

6" Gravity Square LED Wall Wash

| | | | |
|----------|--|----------------|--|
| JOB NAME | | CATALOG NUMBER | |
| NOTES | | TYPE | |

ELECTRICAL DATA

| LED Light Engine | Nominal Delivered Lumens * | System Wattage ** | Efficacy |
|------------------|----------------------------|-------------------|----------|
| L3 | 2000lm @ 3000K / 82 CRI | 23 Watts | 87 lm/W |
| L4 | 2500lm @ 3000K / 82 CRI | 30 Watts | 83 lm/W |
| L5 | 3000lm @ 3000K / 82 CRI | 43 Watts | 70 lm/W |
| L6 | 3500lm @ 3000K / 82 CRI | 49 Watts | 71 lm/W |
| L7 | 4000lm @ 3000K / 82 CRI | 50 Watts | 80 lm/W |
| L8 | 4500lm @ 3000K / 82 CRI | 74 Watts | 61 lm/W |
| L10 | 6000lm @ 3000K / 82 CRI | 87 Watts | 69 lm/W |

* Delivered lumen output will vary depending on CCT, CRI, optic and reflector finish. | ** System Wattage include driver and LED Module consumption.

LED LIGHT ENGINE

- 23W to 87W
- 82/92 CRI, 2000K, 2500K, 3000K, 3500K, 4000K, 4500K, 6000K
- 2 Step MacAdam (2 SDCM)
- Rated life of >50,000 hours L70 based on LED testing per LM-80-08 and projected values using IESNA TM21-11

DIMMING

- Phase Dimming 5%
- 0-10V Dimming 1%
- Forward/reverse dimming 1% (120V only)
- eldoLED 0-10V 0.1% or 1%
- Lutron® LDE1 Hi-Lume 1% EcoSystem LED driver with Soft-on, Fade-to-Black dimming technology
- Lutron® LTEA2W Hi-Lume 1% 2-Wire LED driver (120V forward phase only)
- DMX512 RDM 0.1%

FRAME CONSTRUCTION

Constructed from 16 gauge and 18 gauge heavy duty powder coated cold rolled steel frame with a large access junction box. ETL listed for through wiring. LED light engine and driver are accessible from above or below ceiling.

ELECTRICAL SYSTEM

- 120/277V Power factor >.9, 50/60Hz
- 347V available, consult factory
- Multiple dimming drivers available
- This product complies with IEEE C62.41 for surge endurance up to 2.5KV. Additional surge protection recommended. Damage from power surge is not covered by warranty.

REFLECTOR

Subtle diffuse spread lens provides uniform illumination and distribution. Specification grade reflector with 1.5mm thickness. Reflector available in black, clear, haze or white finish. Consult factory for other colors. Architectural, discrete polished self flange standard. Optional painted white flange is available.

INSTALLATION

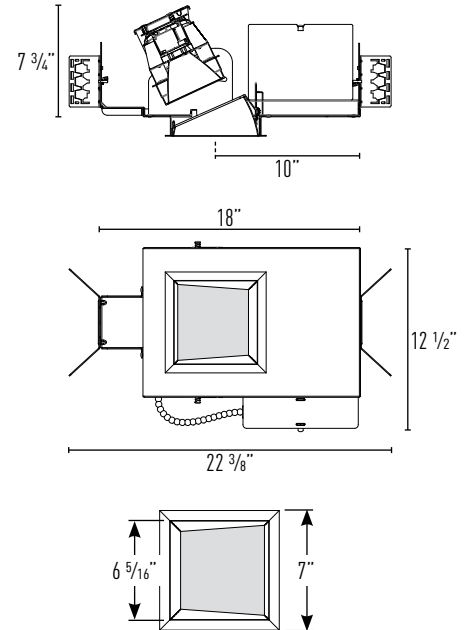
The luminaire is type Non-IC. Insulation must be kept at a minimum of 3" away from fixture. Accommodates up to 1 1/4" ceiling thickness. Universal mounting brackets included. Compatible with C-channel, flat bar, wood joist bar hanger and EMT. Bar hangers must be ordered separately. C-channel is recommended for T-bar ceilings. Max. ambient temperature: 95°F (35°C).

EMERGENCY BACKUP

Remote test switch included. External battery operates LED load of up to 20W at a minimum of 1500 lumens @ 3000K for 90 minutes (EM20).

LISTING / WARRANTY

- ETL Listed to US and Canadian standards for damp locations
- 5-Year Intense LED Limited Warranty



Ceiling Cut Out: 6 1/2" x 6 1/2"
Maximum Ceiling Thickness: 1 1/4"

Housing Part Number: (Example: GD6WSL327-DIMEM7)

| Housing | Wattage | CCT / CRI | Dimming | Voltage | Options |
|---------|----------------|----------------------|---|------------------------|--|
| GD6WS | L3 (23 Watts) | 27 (2700K / 82 CRI) | -DIM ¹ (Phase Dimming 5%) | blank (120V) | EM20 (20W Emergency Backup w/ Remote Test Switch IOTA ILB-CP20-HE-S) |
| | L4 (30 Watts) | 279 (2700K / 92 CRI) | -D101 (0-10V Dimming 1%) | 27 (277V) | |
| | L5 (43 Watts) | 30 (3000K / 82 CRI) | -ED10V1 ² (eldoLED 0-10V 1%) | 34 ⁴ (347V) | |
| | L6 (49 Watts) | 309 (3000K / 92 CRI) | -ED10V01 ² (eldoLED 0-10V 0.1%) | | |
| | L7 (50 Watts) | 35 (3500K / 82 CRI) | -LUT ³ (Lutron® LDE1 EcoSystem 1%) | | |
| | L8 (74 Watts) | 359 (3500K / 92 CRI) | -LUT2 ^{1,3} (Lutron® LTEA2W 2-Wire 1%) | | |
| | L10 (87 Watts) | 40 (4000K / 82 CRI) | -DMXR (DMX512 RDM 0.1%) | | |
| | | 409 (4000K / 92 CRI) | | | |

Reflector Part Number: (Example: ISW600HZ-SF)

| Reflector | Reflector Finish | Trim | Accessories |
|-----------|------------------------|---------------------------|-------------------------------|
| ISW600 | HZ (Haze) | -SF (Self Flanged) | I100 (C-Channel Bar Hangers) |
| | W (White) | -SFW (Self Flanged White) | I200 (Flat Bar Hangers) |
| | C (Clear) | | I400 (Wood Joist Bar Hangers) |
| | B ⁴ (Black) | | |

Notes:

- Available in 120V only
- eldoLED dimming available with L3-L8
- Lutron® dimming available with L3-L5
- Consult factory for lead times

6" Gravity LED Wall Wash Photometrics

| | | | |
|----------|--|----------------|--|
| JOB NAME | | CATALOG NUMBER | |
| NOTES | | TYPE | |

GD6WSM130 / ISW600HZ

Report #: ILL10132016-01.6

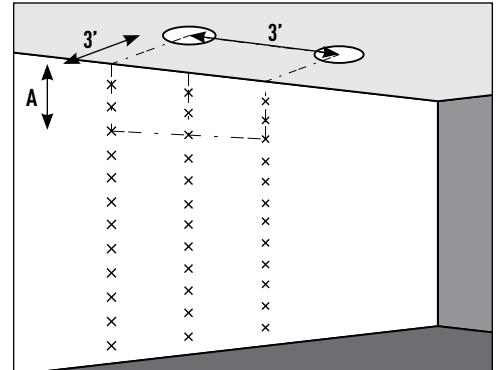
Reflector Finish: Haze
 Luminaire Watts: 12W
 Luminaire Lumens: 878lm
 Lumens Per Watt: 73
 Color Temperature: 3000K
 Color Rendering Index: 82

Emergency Multipliers:

7W Emergency (x 0.51)
 20W Emergency (x 1.65)

| (A) Distance From Ceiling | 3' From Wall On 3' Centers | 4' From Wall On 3' Centers | 4' From Wall On 4' Centers |
|---------------------------|----------------------------|----------------------------|----------------------------|
| | □ 3' □ | □ 3' □ | □ 4' □ |
| 1' | 1 1 1 | 0 0 0 | 0 0 0 |
| 2' | 2 2 2 | 1 1 1 | 1 1 1 |
| 3' | 8 9 8 | 2 2 2 | 2 2 2 |
| 4' | 18 19 18 | 6 7 6 | 5 5 5 |
| 5' | 21 22 21 | 11 12 11 | 9 10 9 |
| 6' | 19 20 19 | 13 15 13 | 11 12 11 |
| 7' | 15 16 15 | 13 14 13 | 12 12 12 |
| 8' | 12 13 12 | 12 13 12 | 10 11 10 |
| 9' | 9 10 9 | 10 11 10 | 9 10 9 |
| 10' | 7 8 7 | 9 9 9 | 8 8 8 |
| 11' | 6 6 6 | 7 8 7 | 6 7 6 |
| 12' | 5 5 5 | 6 6 6 | 5 6 5 |

Example: Two luminaires located 3' from wall and spaced 3' on center, the illumination on the wall 3' down from ceiling will be 8fc beneath units and 9fc between units



GD6WSM230 / ISW600HZ

Report #: ILL10132016-01.5

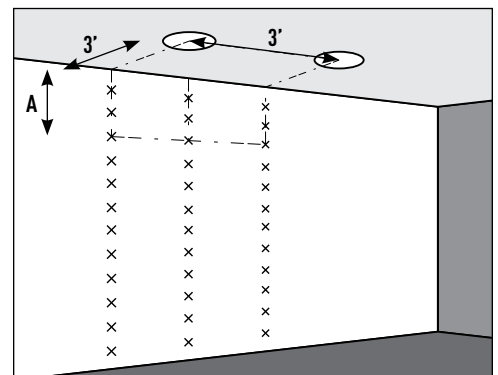
Reflector Finish: Haze
 Luminaire Watts: 24W
 Luminaire Lumens: 1697lm
 Lumens Per Watt: 71
 Color Temperature: 3000K
 Color Rendering Index: 82

Emergency Multipliers:

7W Emergency (x 0.29)
 20W Emergency (x 0.85)

| (A) Distance From Ceiling | 3' From Wall On 3' Centers | 4' From Wall On 3' Centers | 4' From Wall On 4' Centers |
|---------------------------|----------------------------|----------------------------|----------------------------|
| | □ 3' □ | □ 3' □ | □ 4' □ |
| 1' | 2 2 2 | 1 1 1 | 0 1 0 |
| 2' | 5 5 5 | 2 2 2 | 1 2 1 |
| 3' | 16 18 16 | 4 4 4 | 4 4 4 |
| 4' | 36 36 36 | 11 13 11 | 9 10 9 |
| 5' | 40 42 40 | 21 23 21 | 18 19 18 |
| 6' | 36 38 36 | 26 28 26 | 22 23 22 |
| 7' | 30 31 30 | 26 28 26 | 22 23 22 |
| 8' | 23 25 23 | 23 25 23 | 20 21 20 |
| 9' | 18 19 18 | 20 22 20 | 18 19 18 |
| 10' | 14 15 14 | 17 18 17 | 15 16 15 |
| 11' | 11 12 11 | 14 15 14 | 12 13 12 |
| 12' | 9 9 9 | 11 12 11 | 10 11 10 |

Example: Two luminaires located 3' from wall and spaced 3' on center, the illumination on the wall 3' down from ceiling will be 16fc beneath units and 18fc between units



GD6WSL130 / ISW600HZ

Report #: ILL10132016-01.4

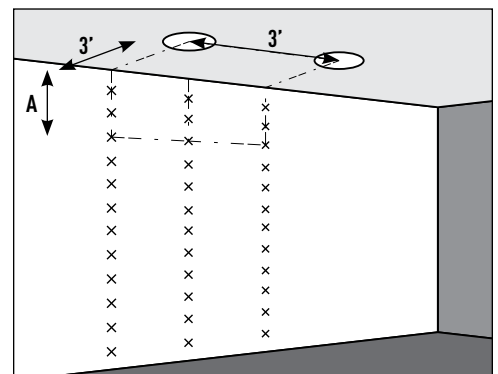
Reflector Finish: Haze
 Luminaire Watts: 35W
 Luminaire Lumens: 2224lm
 Lumens Per Watt: 64
 Color Temperature: 3000K
 Color Rendering Index: 82

Emergency Multipliers:

7W Emergency (x 0.22)
 20W Emergency (x 0.65)

| (A) Distance From Ceiling | 3' From Wall On 3' Centers | 4' From Wall On 3' Centers | 4' From Wall On 4' Centers |
|---------------------------|----------------------------|----------------------------|----------------------------|
| | □ 3' □ | □ 3' □ | □ 4' □ |
| 1' | 2 2 2 | 1 1 1 | 1 1 1 |
| 2' | 6 6 6 | 2 3 2 | 2 2 2 |
| 3' | 21 24 21 | 5 6 5 | 5 5 5 |
| 4' | 47 48 47 | 14 17 14 | 12 13 12 |
| 5' | 52 54 52 | 27 30 27 | 24 24 24 |
| 6' | 47 49 47 | 34 37 34 | 29 30 29 |
| 7' | 39 41 39 | 34 37 34 | 29 30 29 |
| 8' | 31 32 31 | 30 33 30 | 27 28 27 |
| 9' | 24 25 24 | 26 28 26 | 23 24 23 |
| 10' | 19 20 19 | 22 23 22 | 19 21 19 |
| 11' | 15 15 15 | 18 19 18 | 16 17 16 |
| 12' | 11 12 11 | 15 16 15 | 13 14 13 |

Example: Two luminaires located 3' from wall and spaced 3' on center, the illumination on the wall 3' down from ceiling will be 21fc beneath units and 24fc between units



Multipliers: 2700K / 82 CRI (x 0.93); 2700K / 92 CRI (x 0.74); 3000K / 82 CRI (x 1.00); 3000K / 92 CRI (x 0.79); 3500K / 82 CRI (x 1.03); 4100K / 82 CRI (x 1.04)

6" Gravity LED Wall Wash Photometrics

| | | | |
|----------|--|----------------|--|
| JOB NAME | | CATALOG NUMBER | |
| NOTES | | TYPE | |

GD6WSL230 / ISW600HZ

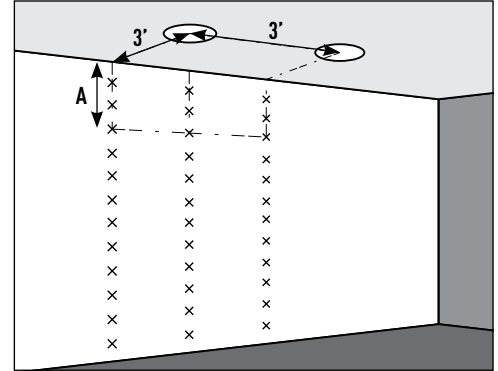
Report #: ILL10132016-01.3
 Reflector Finish: Haze
 Luminaire Watts: 45W
 Luminaire Lumens: 2927lm
 Lumens Per Watt: 65
 Color Temperature: 3000K
 Color Rendering Index: 82

Emergency Multipliers:

7W Emergency (x 0.17)
 20W Emergency (x 0.50)

| (A) Distance From Ceiling | 3' From Wall On 3' Centers | 4' From Wall On 3' Centers | 4' From Wall On 4' Centers |
|---------------------------|----------------------------|----------------------------|----------------------------|
| | □ 3' □ | □ 3' □ | □ 4' □ |
| 1' | 3 3 3 | 1 1 1 | 1 1 1 |
| 2' | 8 8 8 | 3 3 3 | 3 3 3 |
| 3' | 28 31 28 | 7 8 7 | 6 6 6 |
| 4' | 61 63 61 | 18 22 18 | 16 17 16 |
| 5' | 69 72 69 | 35 39 35 | 31 32 31 |
| 6' | 62 64 62 | 44 48 44 | 38 40 38 |
| 7' | 51 54 51 | 44 48 44 | 38 40 38 |
| 8' | 40 43 40 | 40 43 40 | 35 37 35 |
| 9' | 31 33 31 | 34 37 34 | 30 32 30 |
| 10' | 24 26 24 | 29 31 29 | 26 27 26 |
| 11' | 19 20 19 | 24 25 24 | 21 23 21 |
| 12' | 15 16 15 | 20 21 20 | 18 19 18 |

Example: Two luminaires located 3' from wall and spaced 3' on center, the illumination on the wall 3' down from ceiling will be 28fc beneath units and 31fc between units



GD6WSL330 / ISW600HZ

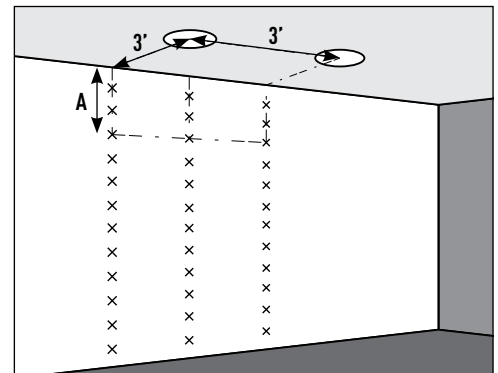
Report #: ILL10132016-01.2
 Reflector Finish: Haze
 Luminaire Watts: 61W
 Luminaire Lumens: 4390lm
 Lumens Per Watt: 72
 Color Temperature: 3000K
 Color Rendering Index: 82

Emergency Multipliers:

7W Emergency (x 0.11)
 20W Emergency (x 0.33)

| (A) Distance From Ceiling | 3' From Wall On 3' Centers | 4' From Wall On 3' Centers | 4' From Wall On 4' Centers |
|---------------------------|----------------------------|----------------------------|----------------------------|
| | □ 3' □ | □ 3' □ | □ 4' □ |
| 1' | 4 4 4 | 1 2 1 | 1 1 1 |
| 2' | 12 12 12 | 4 5 4 | 4 4 4 |
| 3' | 42 46 42 | 11 11 11 | 10 9 10 |
| 4' | 92 94 92 | 27 33 27 | 24 26 24 |
| 5' | 103 107 103 | 53 59 53 | 46 48 46 |
| 6' | 93 97 93 | 66 72 66 | 57 59 57 |
| 7' | 76 81 76 | 66 72 66 | 57 60 57 |
| 8' | 60 64 60 | 60 65 60 | 52 55 52 |
| 9' | 47 50 47 | 51 56 51 | 45 48 45 |
| 10' | 37 39 37 | 43 46 43 | 38 40 38 |
| 11' | 29 30 29 | 36 38 36 | 32 34 32 |
| 12' | 23 24 23 | 29 31 29 | 26 28 26 |

Example: Two luminaires located 3' from wall and spaced 3' on center, the illumination on the wall 3' down from ceiling will be 42fc beneath units and 46fc between units



GD6WSL430 / ISW600HZ

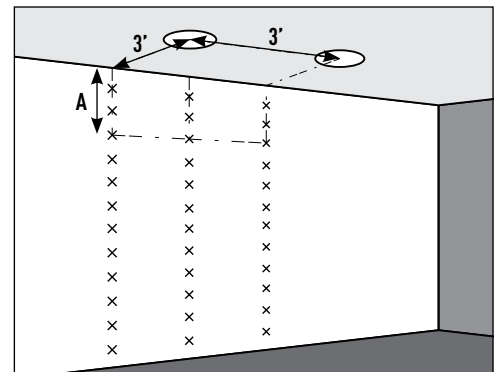
Report #: ILL10132016-01.1
 Reflector Finish: Haze
 Luminaire Watts: 77W
 Luminaire Lumens: 5314lm
 Lumens Per Watt: 69
 Color Temperature: 3000K
 Color Rendering Index: 82

Emergency Multipliers:

7W Emergency (x 0.09)
 20W Emergency (x 0.27)

| (A) Distance From Ceiling | 3' From Wall On 3' Centers | 4' From Wall On 3' Centers | 4' From Wall On 4' Centers |
|---------------------------|----------------------------|----------------------------|----------------------------|
| | □ 3' □ | □ 3' □ | □ 4' □ |
| 1' | 5 5 5 | 2 2 2 | 1 2 1 |
| 2' | 14 14 14 | 5 6 5 | 5 5 5 |
| 3' | 51 56 51 | 13 14 13 | 12 11 12 |
| 4' | 110 113 110 | 33 39 33 | 29 31 29 |
| 5' | 124 129 124 | 63 71 63 | 56 58 56 |
| 6' | 111 117 111 | 81 87 81 | 69 71 69 |
| 7' | 92 97 92 | 82 86 82 | 69 72 69 |
| 8' | 72 77 72 | 75 78 75 | 63 66 63 |
| 9' | 56 60 56 | 65 67 65 | 54 57 54 |
| 10' | 44 47 44 | 54 56 54 | 46 49 46 |
| 11' | 34 36 34 | 45 46 45 | 38 41 38 |
| 12' | 27 29 27 | 37 37 37 | 32 34 32 |

Example: Two luminaires located 3' from wall and spaced 3' on center, the illumination on the wall 3' down from ceiling will be 51fc beneath units and 56fc between units



Multipliers: 2700K / 82 CRI (x 0.93); 2700K / 92 CRI (x 0.74); 3000K / 82 CRI (x 1.00); 3000K / 92 CRI (x 0.79); 3500K / 82 CRI (x 1.03); 4100K / 82 CRI (x 1.04)

GRAVITY™

6" Gravity LED Wall Wash Photometrics

| | | | |
|----------|--|----------------|--|
| JOB NAME | | CATALOG NUMBER | |
| NOTES | | TYPE | |

GD6WSL530 / ISW600HZ

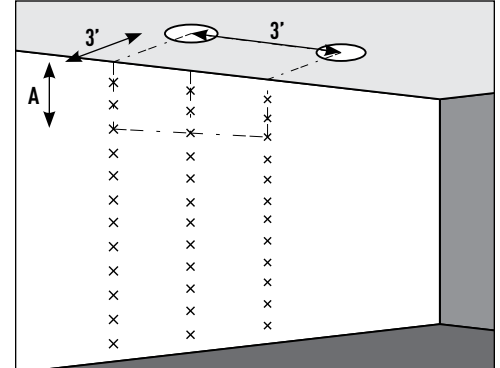
Report #: ILL10132016-01
 Reflector Finish: Haze
 Luminaire Watts: 90W
 Luminaire Lumens: 5853lm
 Lumens Per Watt: 65
 Color Temperature: 3000K
 Color Rendering Index: 82

Emergency Multipliers:

7W Emergency (x 0.09)
 20W Emergency (x 0.25)

| (A) Distance From Ceiling | 3' From Wall On 3' Centers | 4' From Wall On 3' Centers | 4' From Wall On 4' Centers |
|------------------------------------|-------------------------------|-------------------------------|-------------------------------|
| | □ 3' □ | □ 3' □ | □ 4' □ |
| 1' | 5 5 5 | 2 2 2 | 2 2 2 |
| 2' | 16 16 16 | 6 7 6 | 5 6 5 |
| 3' | 56 62 56 | 14 15 14 | 13 12 13 |
| 4' | 122 125 122 | 36 43 36 | 32 35 32 |
| 5' | 138 143 138 | 71 79 71 | 62 64 62 |
| 6' | 124 130 124 | 88 96 88 | 76 79 76 |
| 7' | 102 107 102 | 89 96 89 | 77 80 77 |
| 8' | 80 85 80 | 80 87 80 | 70 73 70 |
| 9' | 63 66 63 | 68 74 68 | 60 64 60 |
| 10' | 49 52 49 | 57 62 57 | 51 54 51 |
| 11' | 38 41 38 | 48 51 48 | 43 45 43 |
| 12' | 30 32 30 | 39 41 39 | 35 37 35 |

Example: Two luminaires located 3' from wall and spaced 3' on center, the illumination on the wall 3' down from ceiling will be 56fc beneath units and 62fc between units



Multipliers: 2700K / 82 CRI (x 0.93); 2700K / 92 CRI (x 0.74); 3000K / 82 CRI (x 1.00); 3000K / 92 CRI (x 0.79); 3500K / 82 CRI (x 1.03); 4100K / 82 CRI (x 1.04)