

DATE: _____ PROJECT: _____ TYPE: _____

CATALOG NUMBER LOGIC:



*Only available with x58-x63.

**Only available with x43-x45.

***Select up to 2. Accessory Holder required.

****120V only.

CATALOG NUMBER LOGIC

Example: B - AGI2 - 12 - LED - TR - x61 - SP - SAP - 10/11 - INC - MT - AH

MATERIAL

(Blank) - Aluminum B - Brass S - Stainless Steel

SERIES

AGI2 - Above Ground In-grade

HEIGHT ABOVE

12 - 12"

18 - 18"

SOURCE

LED - Chip on Board Technology

HOUSING

TR - Integral Housing

LED TYPE

x58 - 12W LED/2700K x61 - 20W LED/2700K x43 - 34W LED/2700K

x59 - 12W LED/3000K x62 - 20W LED/3000K x44 - 34W LED/3000K

x60 - 12W LED/4000K x63 - 20W LED/4000K x45 - 34W LED/4000K

OPTICS

SP - Spot (15°)*

FL - Flood (35°)*

NFL - Narrow Flood (25°)**

WFL - Wide Flood (60°)

FINISH (See page 2 for full-color swatches)

Standard Finishes (BZP, BZW, BLP, BLW, WHP, WHW, SAP, VER)

Premium Finish (ABP, AMG, AQW, BCM, BGE, BPP, CAP, CMG, CRI, CRM, HUG, MDS, NBP, OCP, RMG, SDS, SMG, TXF, WCP, WIR)

Also available in RAL Finishes

Brass Finishes (MAC, POL, MIT)

Stainless Steel Finishes (MAC, POL)

ACCESSORY***

10 - Spread Lens

11 - Honeycomb Baffle

12 - Soft Focus Lens

13 - Rectilinear Lens

CONTROL TYPE

ELV - Dimming Driver (For use with Electronic Low Voltage Dimmer)****

INC - Dimming Driver (For use with Incandescent Dimmer)****

010 - 0-10V Dimming Driver (Dimming 1 - 100%)

INPUT VOLTAGE

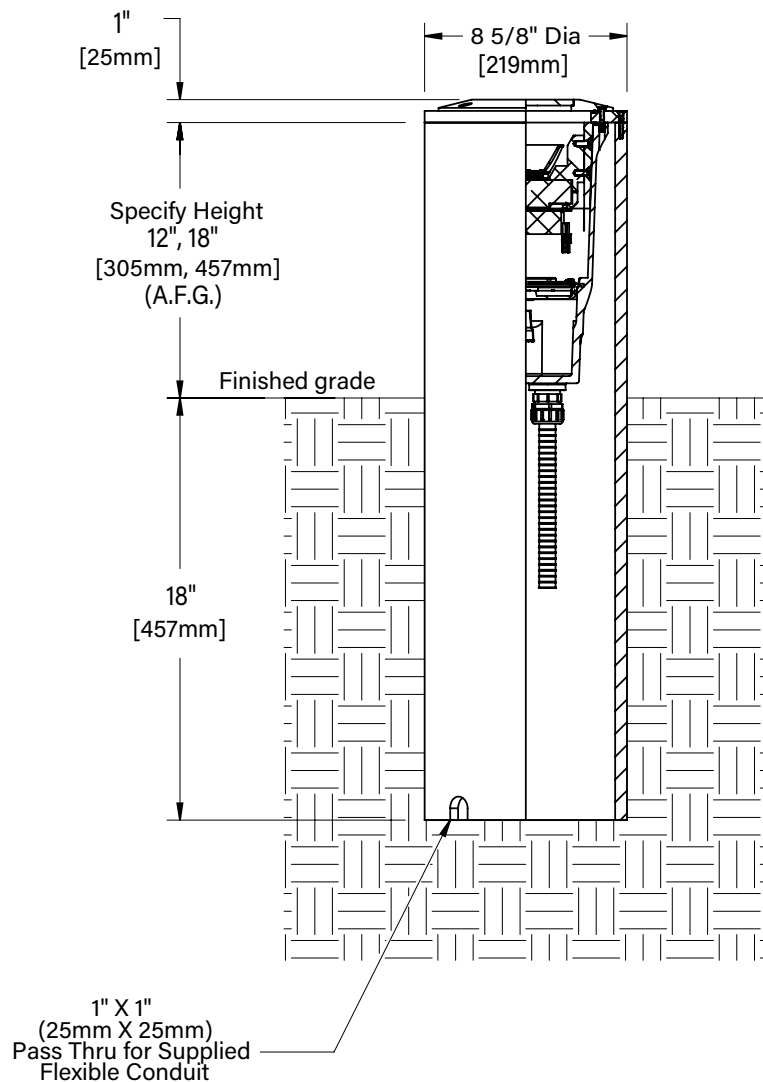
MT - 120-277 VAC Input

OPTIONS

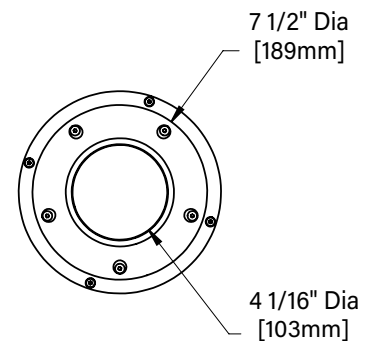
AH - Accessory Holder

DATE: _____ PROJECT: _____ TYPE: _____

SIDE VIEW



TOP VIEW

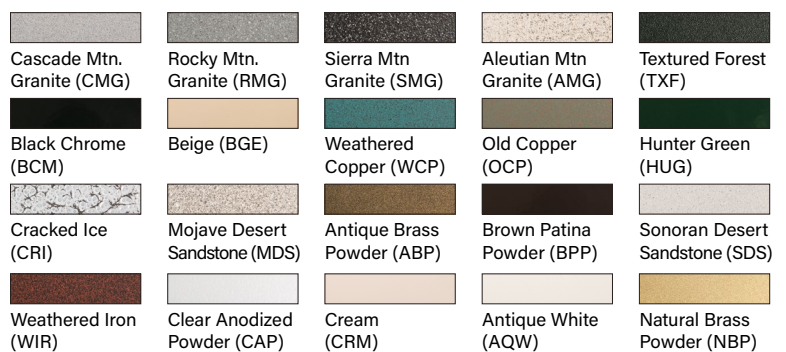


STANDARD FINISHES



[Click Here](#) to view larger, full-color swatches of all available finishes on our website.

PREMIUM FINISHES



DATE:	PROJECT:	TYPE:
-------	----------	-------

ACCESSORIES (Configure separately)

SPECIFICATIONS

ELECTRICAL	WATTAGE	12W, 20W, or 34W
	DRIVER ASSEMBLY	For use with [1] 700mA (12W/20W) / 1.05A (34W), constant current driver. 120-277VAC (nominal) primary input voltage. 50/60Hz. >0.90 Power Factor, <250mA in-rush current, .20%THD (nominal at 120VAC full load), with output over-voltage, over-current, and short circuit protection with auto recovery. Class 2 power supply; FCC47CFR Part 15 Compliant Class B (120VAC)/Class A (277VAC). Incandescent Control Option Driver: Dimming driver for use with standard incandescent dimmers at 120VAC(10-100% range). ELV/0-10 Control Option Driver: Dimming driver for use with standard electronic low voltage (120VAC only - 10-100% dim. range)/0-10V dimmers (1-100% dim. range).
PHYSICAL	AIMING	Dual axis heat sink system rotates 360° and provides vertical adjustment up to 15° from nadir. Positive lock action ensures optical orientation.
	LED	Integrated solid state system and modular design with electrical quick disconnects is scalable for field upgrade and maintenance. LM-80 certified. Minimum 50,000 hour rated life at 70% of initial lumens L70. LED technology provides long life, significant energy reduction, and exceptional thermal management.
	FLEXIBLE CONDUIT	Industrial grade, type D flexible PVC conduit is 25ft long with 3/8" diameter. Approved for outdoor and direct burial in the US. UL temperature ratings: 105°C dry, 60°C wet 70°C oil, CSA temperature rating: 18 to 75°C. Oil Resistant, 600V rating, black with orange markings. Conduit is attached to housing when shipped. Stranded, uncoated copper conductors per ASTM-B3, ASTM-B787 and ASTM-B8. Color-coded Polyvinyl Chloride (PVC), heat and moisture-resistant, flame-retardant compound per UL-1063 and UL-83.A tough, polyamide, Nylon outer covering per UL-1063 and UL-83. Incandescent dimming uses 3 wire conduit; 0-10V dimming uses 5 wire conduit.
	COLOR MANAGEMENT	Corrected cold phosphor technology delivers near-perfect natural white light. Long term phosphor maintenance over product life. Exact color point conformity exceeds ANSI C78.377 standard. Provides uniform beam with no color variation over angle. Module exceeds 80 CRI (RA>80, R9>16).
	AGI2 TUBE	Tube is manufactured from pressure-rated PE4710 polyethylene compounds. Ductility is substantiated with greater than 438,300 hours (50 years) at 73°F (23°C) before the onset of SCE.
	WATER MANAGEMENT	High temperature silicone 'O' Ring at faceplate. HydroLock® technology provides fail-safe water barrier between junction box and interior components. IP68 rated.
	LENS	High heat, Shock-resistant, 1/4" Tempered Soda Lime glass lens.
	FACEPLATE	Solid, 1/2" thick machined 6061-T6 aluminum with five (5) black oxide, captive, stainless steel mounting screws. Faceplate options include solid, 1/2" thick machined brass and solid, 1/2" thick machined stainless steel.
	FINISH	StarGuard, our 15-stage chromate-free process cleans and conversion coats aluminum components prior to application of Class 'A' TGIC polyester powder coating and is RoHS compliant.
	WARRANTY	5-year limited warranty.
CERTIFICATION & LISTING	UL Listed. Certified to CAN/CSA/ANSI Standards. IP68 Rated. Made in the USA with sustainable processes.	



LAMP & DRIVER DATA (x58, x59, x60, x61, x62, x63, x43, x44, x45)

DATE:

PROJECT:

TYPE:

DRIVER ELECTRICAL DATA

Type	AC Input Range	Frequency Hz	Power Factor At Full Load (Efficiency)	THD	Operation Ambient Temperature	Dimmer Type	Dimmer Range
ELV	105-305Vac	50/60	> 0.90	≤20%	-30° C ~ 70°C	Electronic Low Voltage	10-100%
INC	105-305Vac	50/60	> 0.90	≤5%	-30° C ~ 50°C	Incandescent	10-100%
0-10	105-305Vac	50/60	> 0.90	≤20%	-30° C ~ 70°C	0-10	1-100%

LM79 DATA

L70 DATA

OPTICAL DATA

BK No.	CCT (Typ.)	CRI (Typ.)	Input Watts (Typ.)	Minimum Rated Life (hrs.) 70% of initial lumens (L ₇₀)	Angle	CBCP	Delivered Lumens
x58	2700K	80	12W	50,000	15°	3877	724
	2700K	80	12W	50,000	35°	1498	663
	2700K	80	12W	50,000	60°	629	625
x59	3000K	80	12W	50,000	15°	4059	758
	3000K	80	12W	50,000	35°	1568	694
	3000K	80	12W	50,000	60°	659	655
x60	4000K	80	12W	50,000	15°	4561	851
	4000K	80	12W	50,000	35°	1762	780
	4000K	80	12W	50,000	60°	740	736
x61	2700K	80	20W	50,000	15°	7098	1306
	2700K	80	20W	50,000	35°	2621	1124
	2700K	80	20W	50,000	60°	1048	1063
x62	3000K	80	20W	50,000	15°	7488	1378
	3000K	80	20W	50,000	35°	2765	1186
	3000K	80	20W	50,000	60°	1106	1121
x63	4000K	80	20W	50,000	15°	7800	1435
	4000K	80	20W	50,000	35°	2880	1235
	4000K	80	20W	50,000	60°	1152	1168
x43	2700K	80	34W	50,000	25°	5435	1915
	2700K	80	34W	50,000	60°	2697	1860
x44	3000K	80	34W	50,000	25°	5672	1998
	3000K	80	34W	50,000	60°	2814	1941
x45	4000K	80	34W	50,000	25°	5908	2081
	4000K	80	34W	50,000	60°	2931	2022

OPTICS

Optic	Angle
Spot	15°
Narrow Flood	25°
Flood	35°
Wide Flood	60°

B-K LIGHTING

MADE IN THE USA

559.438.5800 | INFO@BKLIGHTING.COM | BKLIGHTING.COM

THIS DOCUMENT CONTAINS PROPRIETARY INFORMATION OF B-K LIGHTING, INC. AND ITS RECEIPT OR POSSESSION DOES NOT CONVEY ANY RIGHTS TO REPRODUCE, DISCLOSE ITS CONTENTS, OR TO MANUFACTURE, USE OR SELL ANYTHING IT MAY DESCRIBE. REPRODUCTION, DISCLOSURE OR USE WITHOUT SPECIFIC WRITTEN AUTHORIZATION OF B-K LIGHTING, INC. IS STRICTLY FORBIDDEN.