

DATE:	PROJECT:	TYPE:
-------	----------	-------

CATALOG NUMBER LOGIC:



*\*Please see Adjust-e-Lume photometry to determine desired intensity.*

*\*\*Accommodates up to 2 lens/shielding media.*

**CATALOG NUMBER LOGIC**

Example: CY - AR - LED - RM - e65 - SP - A9 - BZW - 12 - 11 - C

**MATERIAL**

(Blank) - Aluminum B - Brass S - Stainless Steel

**SERIES**

CY - Catenary

**FIXTURE**

AR - ArtiStar

**SOURCE**

LED - with Integral Dimming Driver

**HOUSING**

RM - Remote Transformer

**LED TYPE**

e64 - 7W LED/2700K e66 - 7W LED/4000K  
 e65 - 7W LED/3000K e74 - 7W LED/Amber

**OPTICS**

NSP - Narrow Spot (17°) MFL - Medium Flood (28°)  
 SP - Spot (21°) WFL - Wide Flood (60°)

**ADJUST-E-LUME OUTPUT INTENSITY\***

A9 (Standard), A8, A7, A6, A5, A4, A3, A2, A1

**FINISH (See page 2 for full-color swatches)**

Standard Finishes (BZP, BZW, BLP, BLW, WHP, WHW, SAP, VER)  
 Premium Finish (ABP, AMG, AQW, BCM, BGE, BPP, CAP, CMG, CRI, CRM, HUG, MDS, NBP, OCP, RMG, SDS, SMG, TXF, WCP, WIR)  
 Also available in RAL Finishes  
 Brass Finishes (MAC, POL, MIT)  
 Stainless Steel Finishes (MAC, POL)

**LENS TYPE**

9 - Clear (Standard) 12 - Soft Focus\*\* 13 - Rectilinear\*\*

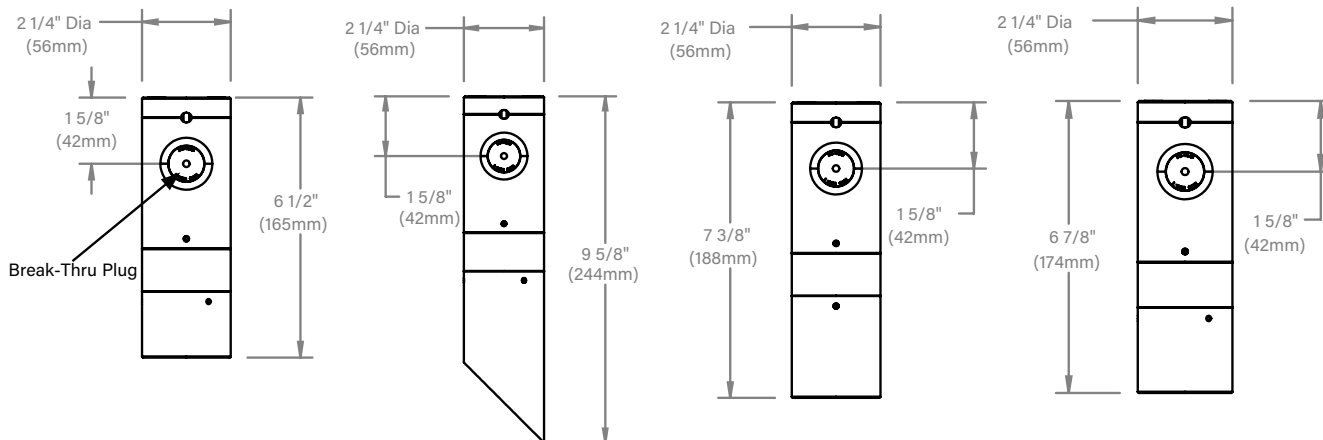
**SHIELDING**

11 - Honeycomb Baffle\*\*

**CAP STYLE**

C - Flush Lens  
 D - 45° Less Weephole (Internal use only)  
 E - 90° Less Weephole (Internal use only)  
 F - 90° with Flush Lens

DATE: \_\_\_\_\_ PROJECT: \_\_\_\_\_ TYPE: \_\_\_\_\_



EPA ≈ 0.10ft<sup>2</sup>  
"C" CAP

EPA ≈ 0.14ft<sup>2</sup>  
"D" CAP

EPA ≈ 0.11ft<sup>2</sup>  
"E" CAP

EPA ≈ 0.10ft<sup>2</sup>  
"F" CAP

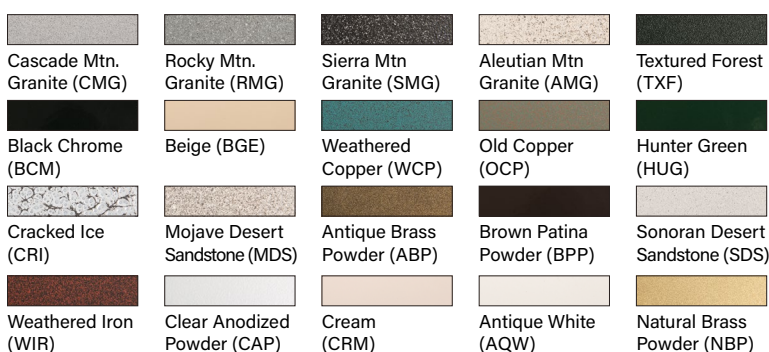
\* EPA shown includes fixture body  
\* Fixture Weight (LIST BELOW)

	"C" CAP	"D" CAP	"E" CAP	"F" CAP
ALUMINUM	2.09IBS	2.21IBS	2.15IBS	2.11IBS
BRASS	5.02IBS	5.40IBS	5.21IBS	5.09IBS
STAINLESS	4.77IBS	5.12IBS	4.95IBS	4.83IBS

**STANDARD FINISHES**



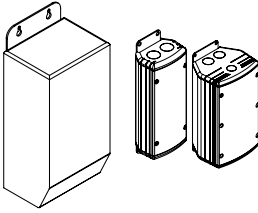
**PREMIUM FINISHES**



[Click Here](#) to view larger, full-color swatches of all available finishes on our website.

DATE:	PROJECT:	TYPE:
-------	----------	-------

ACCESSORIES (Configure separately)



TR Series

UPMRM

## SPECIFICATIONS

ELECTRICAL	WATTAGE	7W LED
	ADJUST-E-LUME	Integral electronics allows dynamic lumen response at the individual fixture. Indexed (100% to 25% nom.) lumen output. Maintains output at desired level or may be changed as conditions require. Specify factory preset output intensity.
	WIRING	PVC coated, 18AWG, 150V, 60°C rated and certified to UL1838 standard. Anti-Wicking Connector prevents "wicking" through conductor insulation.
	REMOTE TRANSFORMER	For use with 12VAC remote transformer or magnetic transformers only. B-K Lighting cannot guarantee performance with third party manufacturers' transformers.
PHYSICAL	MATERIALS	Furnished in copper-free aluminum (6061-T6), brass (360) or stainless steel (304).
	BODY	Unibody design is fully machined from solid billet and provides enclosed, water-proof wireway and integral heat sink for maximum component life. High temperature, silicone 'O' Ring provides water-tight seal.
	CAP	Fully machined and accommodates up to two (2) lens or louver media.
	LENS	Shock-resistant, tempered glass lens is factory adhered to fixture cap and provides hermetically sealed optical compartment.
	LED	Integrated solid state system and modular design with electrical quick disconnects is scalable for field upgrade and maintenance. High power, forward throw source complies with ANSI C78.377 binning requirements and exceeds ENERGY STAR® lumen maintenance requirements. LM-80 certified components. Integral, constant current driver. 12VAC/VDC input. 50/60Hz. Proprietary input control scheme achieves power factor correction and eliminates inrush current. Output, overvoltage, open-circuit, and short circuit protected. Inrush current limited to <250mA (non-dimming). Conforms to Safety Std. C22.2 No. 250.13-12.
	DIMMING	Line voltage dimmable via magnetic low voltage dimmer with dedicated neutral conductor. For purposes of dimming: Remote magnetic transformer with LED requires minimum 25% load.
	OPTICS	Interchangeable, color-coded OPTIKIT modules permit field changes to optical distribution.
	BREAK-THRU PLUG	To create watertight seal, factory-installed break-thru plug must be used with round jacketed cable with a diameter of .130" min to .450" max (by others).
	INSTALLATION	Machined aluminum clamp for use with 1/4" O.D. stainless steel aircraft cable (by others).
	HARDWARE	Tamper-resistant, stainless steel hardware.
	FINISH	StarGuard, our 15-stage chromate-free process cleans and conversion coats aluminum components prior to application of Class 'A' TGIC polyester powder coating and is RoHS compliant. Powder coat or metal finish options available for brass material and metal finish option only for stainless steel material.
	WARRANTY	5-year limited warranty.
CERTIFICATION & LISTING	UL tested to IESNA LM-79. UL Listed. Certified to CAN/CSA/ ANSI Standards. RoHs compliant. Suitable for indoor or outdoor use and in wet locations. IP66 Rated. Made in USA with sustainable processes.	



<b>B-K LIGHTING</b>	<b>MADE IN THE USA</b>	559.438.5800   <a href="mailto:INFO@BKLIGHTING.COM">INFO@BKLIGHTING.COM</a>   <a href="http://BKLIGHTING.COM">BKLIGHTING.COM</a>
---------------------	------------------------	--

