

DATE:	PROJECT:	TYPE:
-------	----------	-------

CATALOG NUMBER LOGIC:



*Please see Adjust-e-Lume photometry to determine desired intensity.

**Accommodates up to 2 lens/shielding media.

CATALOG NUMBER LOGIC

Example: CY - AR - LED - TR - e65 - MFL - A9 - BZW - 12 - 11 - C - MT - WC

MATERIAL

(Blank) - Aluminum B - Brass S - Stainless Steel

SERIES

CY - Catenary

FIXTURE

AR - ArtiStar

SOURCE

LED - with Integral Dimming Driver

HOUSING

TR - Integral Transformer

LED TYPE

e64 - 7W LED/2700K e66 - 7W LED/4000K

e65 - 7W LED/3000K e74 - 7W LED/Amber

OPTICS

NSP - Narrow Spot (13°) MFL - Medium Flood (23°)

SP - Spot (16°) WFL - Wide Flood (31°)

ADJUST-E-LUME OUTPUT INTENSITY*

A9 (Standard), A8, A7, A6, A5, A4, A3, A2, A1

FINISH (See page 2 for full-color swatches)

Standard Finishes (BZP, BZW, BLP, BLW, WHP, WHW, SAP, VER)

Premium Finish (ABP, AMG, AQW, BCM, BGE, BPP, CAP, CMG, CRI, CRM, HUG, MDS, NBP, OCP, RMG, SDS, SMG, TXF, WCP, WIR)

Also available in RAL Finishes

Brass Finishes (MAC, POL, MIT)

Stainless Steel Finishes (MAC, POL)

LENS TYPE

9 - Clear (Standard) 12 - Soft Focus** 13 - Rectilinear**

SHIELDING

11 - Honeycomb Baffle**

CAP STYLE

C - Flush Lens

D - 45° Less Weephole (Internal use only)

E - 90° Less Weephole (Internal use only)

F - 90° Flush Lens

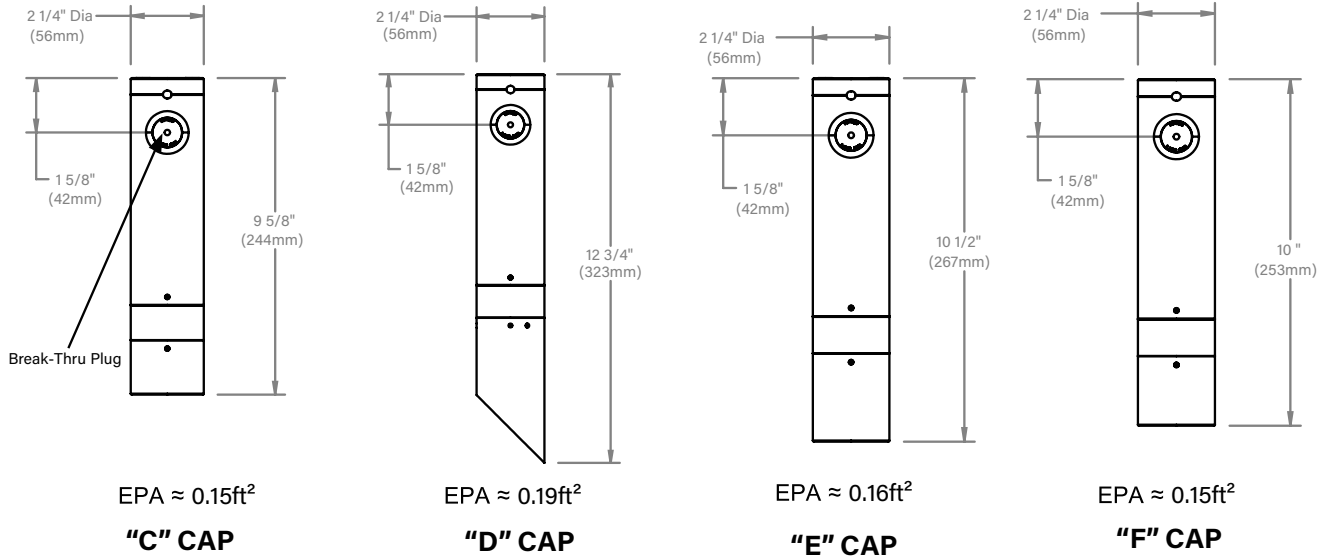
INPUT VOLTAGE

MT - 120-277 VAC Input

OPTION

WC - Supplemental Wire Clamp

DATE: _____ PROJECT: _____ TYPE: _____



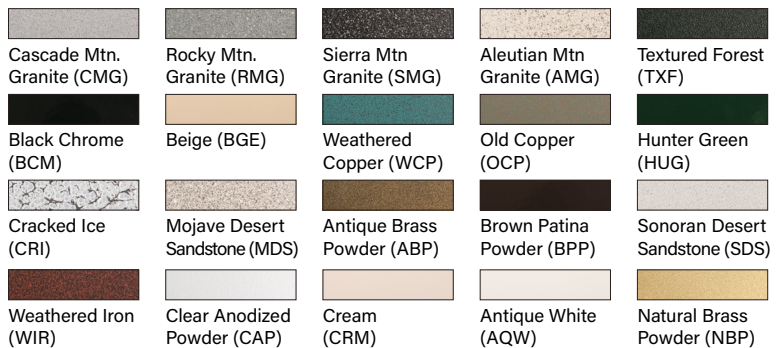
* EPA shown includes fixture body
 * Fixture Weight (LIST BELOW)

	"C" CAP	"D" CAP	"E" CAP	"F" CAP
ALUMINUM	2.53IBS	2.65IBS	2.59IBS	2.55IBS
BRASS	5.86IBS	6.24IBS	6.05IBS	5.93IBS
STAINLESS	5.57IBS	5.93IBS	5.75IBS	5.63IBS

STANDARD FINISHES



PREMIUM FINISHES



[Click Here](#) to view larger, full-color swatches of all available finishes on our website.

DATE:	PROJECT:	TYPE:
-------	----------	-------

ACCESSORIES (Configure separately)

SPECIFICATIONS

ELECTRICAL	WATTAGE	7W LED
	ADJUST-E-LUME	Integral electronics allows dynamic lumen response at the individual fixture. Indexed (100% to 25% nom.) lumen output. Maintains output at desired level or may be changed as conditions require. Specify factory preset output intensity.
	WIRING	PVC coated, 18AWG, 150V, 60°C rated and certified to UL1838 standard. Anti-Wicking Connector prevents "wicking" through conductor insulation.
	TRANSFORMER	Integral, electronic transformer. 105-300VAC primary voltage. 50/60Hz. Non Dimming. 20VA maximum load.
PHYSICAL	MATERIALS	Furnished in copper-free aluminum (6061-T6), brass (360) or stainless steel (304).
	BODY	Unibody design is fully machined from solid billet and provides enclosed, water-proof wireway and integral heat sink for maximum component life. High temperature, silicone 'O' Ring provides water-tight seal.
	CAP	Fully machined and accommodates up to two (2) lens or louver media.
	LENS	Shock-resistant, tempered glass lens is factory adhered to fixture cap and provides hermetically sealed optical compartment.
	LED	Integrated solid state system and modular design with electrical quick disconnects is scalable for field upgrade and maintenance. High power, forward throw source complies with ANSI C78.377 binning requirements and exceeds ENERGY STAR® lumen maintenance requirements. LM-80 certified components. Integral, constant current driver. 12VAC/VDC input. 50/60Hz. Proprietary input control scheme achieves power factor correction and eliminates inrush current. Output, overvoltage, open-circuit, and short circuit protected. Inrush current limited to <250mA (non-dimming). Conforms to Safety Std. C22.2 No. 250.13-12.
	OPTICS	Interchangeable, color-coded OPTIKIT modules permit field changes to optical distribution.
	BREAK-THRU PLUG	To create watertight seal, factory-installed break-thru plug must be used with round jacketed cable with a diameter of .130" min to .450" max (by others).
	INSTALLATION	Machined aluminum clamp for use with 1/4" O.D. stainless steel aircraft cable (by others).
	HARDWARE	Tamper-resistant, stainless steel hardware.
	OPTION	Supplemental wire support clamp provides extra strain relief.
	FINISH	StarGuard, our 15-stage chromate-free process cleans and conversion coats aluminum components prior to application of Class 'A' TGIC polyester powder coating and is RoHS compliant. Powder coat or metal finish options available for brass material and metal finish option only for stainless steel material.
	WARRANTY	5-year limited warranty.
	CERTIFICATION & LISTING	UL tested to IESNA LM-79. UL Listed. Certified to CAN/CSA/ ANSI Standards. RoHs compliant. Suitable for indoor or outdoor use and in wet locations. IP66 Rated. Made in USA with sustainable processes.



LAMP & DRIVER DATA (e64, e65, e66, e74)

DATE:

PROJECT:

TYPE:

CATALOG NUMBER LOGIC:

DRIVER DATA	Input Volts	InRush Current	Operating	Dimmable	Operation Ambient Temperature
	12VAC/DC 50/60Hz	<250mA (non-dimmed)	700mA	Magnetic Low Voltage Dimmer	-22°F-194°F (-30°C - 90°C)

LM79 DATA

BK No.	CCT (Typ.)	CRI (Typ.)	Input Watts (Typ.)
e64	2700K	80	7
	2700K	80	7
	2700K	80	7
	2700K	80	7
e65	3000K	80	7
	3000K	80	7
	3000K	80	7
	3000K	80	7
e66	4000K	80	7
	4000K	80	7
	4000K	80	7
	4000K	80	7
e74	Amber	80	7
	Amber	80	7
	Amber	80	7
	Amber	80	7

L70 DATA

Minimum Rated Life (hrs.) 70% of initial lumens (L ₇₀)
50,000
50,000
50,000
50,000
50,000
50,000
50,000
50,000
50,000
50,000
50,000
50,000
50,000
50,000
50,000
50,000
50,000

OPTICAL DATA

Angle	CBCP	Delivered Lumens	Multiplier
13°	5993	456	0.87
16°	4546	445	0.87
23°	1726	397	0.87
31°	1131	399	0.87
13°	6131	466	0.89
16°	4650	455	0.89
23	1766	406	0.89
31°	1157	409	0.89
13°	6889	524	
16°	5225	511	
23°	1984	456	
31°	1300	459	
13°	3,927	299	0.57
16°	2,978	291	0.57
23°	1,131	260	0.57
31°	741	262	0.57

OPTICS

Optic	Angle
NSP - Narrow Spot	13°
SP - Spot	16°
MFL - Medium Flood	23°
WFL - Wide Flood	31°

B-K LIGHTING

MADE IN THE USA

559.438.5800 | INFO@BKLIGHTING.COM | BKLIGHTING.COM

THIS DOCUMENT CONTAINS PROPRIETARY INFORMATION OF B-K LIGHTING, INC. AND ITS RECEIPT OR POSSESSION DOES NOT CONVEY ANY RIGHTS TO REPRODUCE, DISCLOSE ITS CONTENTS, OR TO MANUFACTURE, USE OR SELL ANYTHING IT MAY DESCRIBE. REPRODUCTION, DISCLOSURE OR USE WITHOUT SPECIFIC WRITTEN AUTHORIZATION OF B-K LIGHTING, INC. IS STRICTLY FORBIDDEN.