

DATE: \_\_\_\_\_ PROJECT: \_\_\_\_\_ TYPE: \_\_\_\_\_

CATALOG NUMBER LOGIC:



*\*Accommodates up to 2 lens/shielding media.*

**CATALOG NUMBER LOGIC**

Example: CY - AR - LED - TR - x53 - SP - BZW - 9 - 11 - C - INC -MT - WC

**MATERIAL**

(Blank) - Aluminum B - Brass S - Stainless Steel

**SERIES**

CY - Catenary

**FIXTURE**

AR - ArtiStar

**SOURCE**

LED - Chip on Board Technology

**HOUSING**

TR - Integral Driver

**LED TYPE**

x52 - 10W LED/2700K x53 - 10W LED/3000K x54 - 10W LED/4000K

**OPTICS**

SP - Spot (15°) FL - Flood (35°) WFL - Wide Flood (60°)

**FINISH (See page 2 for full-color swatches)**

Standard Finishes (BZP, BZW, BLP, BLW, WHP, WHW, SAP, VER)

Premium Finish (ABP, AMG, AQW, BCM, BGE, BPP, CAP, CMG, CRI, CRM, HUG, MDS, NBP, OCP, RMG, SDS, SMG, TXF, WCP, WIR)

Also available in RAL Finishes

Brass Finishes (MAC, POL, MIT)

Stainless Steel Finishes (MAC, POL)

**LENS TYPE\***

9 - Clear (Standard)

12 - Soft Focus 13 - Rectilinear

**SHIELDING\***

11 - Honeycomb Baffle

**CAP STYLE**

C - Flush Lens

D - 45° Less Weephole (Internal use only)

E - 90° Less Weephole (Internal use only)

F - 90° Flush Lens

**CONTROL TYPE**

INC - Dimming Driver (For Use with Incandescent Dimmer - 120V only)

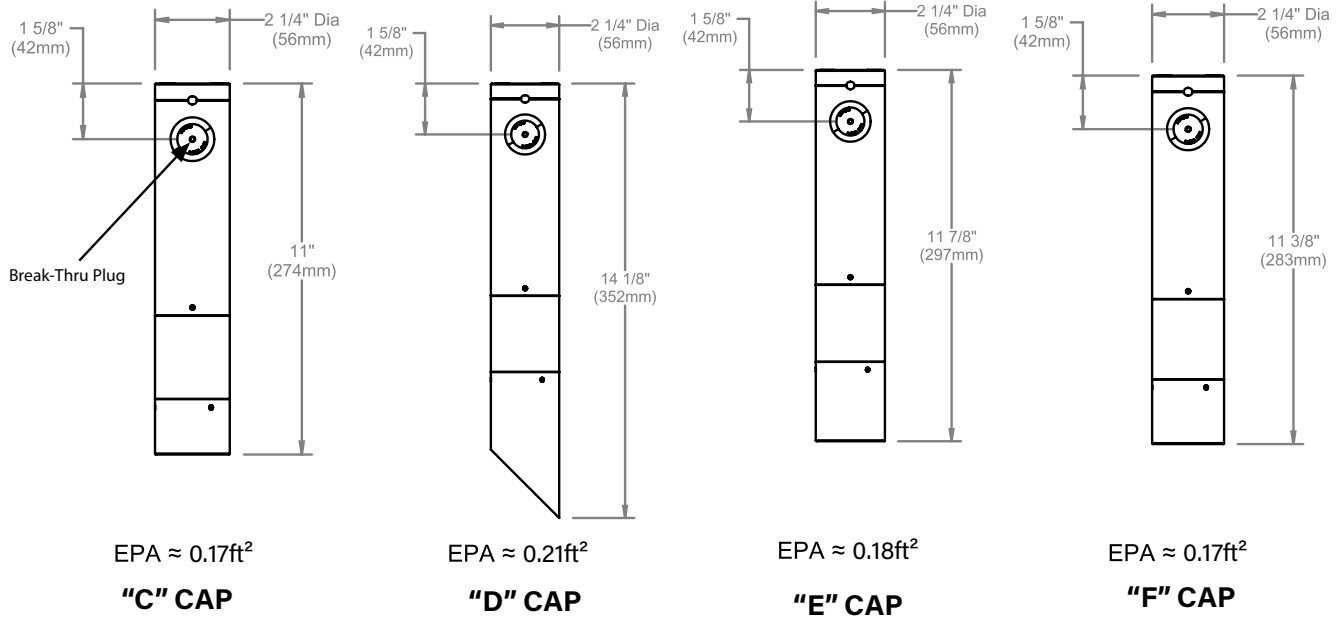
**INPUT VOLTAGE**

MT - 120-277 VAC Input

**OPTION**

WC - Supplemental Wire Clamp

DATE: \_\_\_\_\_ PROJECT: \_\_\_\_\_ TYPE: \_\_\_\_\_



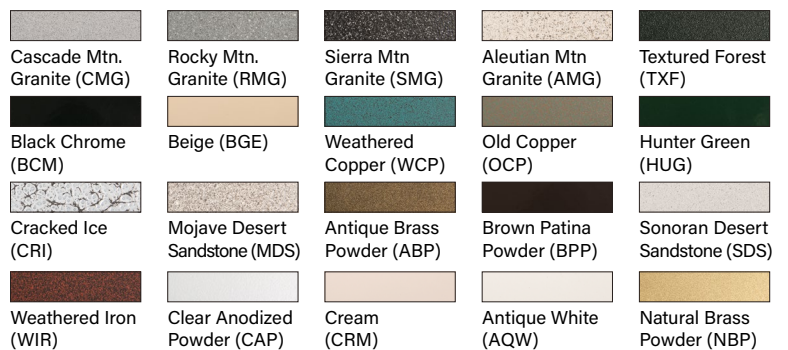
\* EPA shown includes fixture body  
\* Fixture Weight (LIST BELOW)

	"C" CAP	"D" CAP	"E" CAP	"F" CAP
ALUMINUM	2.72IBS	2.84IBS	2.58IBS	2.74IBS
BRASS	6.52IBS	6.89IBS	6.51IBS	6.58IBS
STAINLESS	6.19IBS	6.54IBS	6.37IBS	6.25IBS

**STANDARD FINISHES**



**PREMIUM FINISHES**



[Click Here](#) to view larger, full-color swatches of all available finishes on our website.

DATE:	PROJECT:	TYPE:
-------	----------	-------

ACCESSORIES (Configure separately)

SPECIFICATIONS

ELECTRICAL	WATTAGE	10W LED
	WIRING	PVC coated, 18AWG, 150V, 60°C rated and certified to UL1838 standard. Anti-Wicking Connector prevents “wicking” through conductor insulation.
	DRIVER	For use with [1] 350mA, Class A, constant current driver. 120-277VAC (nominal) primary input voltage. 50/60Hz. >0.9 Power Factor, 0.25A input current, .20%THD (nominal at 120VAC full load). Output over-voltage, over-current, and short circuit protection with auto recovery. INC Driver - For use with Incandescent Standard TRIAC or ELV dimmers. 1-100% range, 120V Only. (Only Available with x64-x66).
PHYSICAL	MATERIALS	Furnished in copper-free aluminum (6061-T6), brass (360) or stainless steel (304).
	BODY	Unibody design is fully machined from solid billet and provides enclosed, water-proof wireway and integral heat sink for maximum component life. High temperature, silicone ‘O’ Ring provides water-tight seal.
	CAP	Fully machined and accommodates up to two (2) lens or louver media.
	LENS	Shock-resistant, tempered glass lens is factory adhered to fixture cap and provides hermetically sealed optical compartment.
	LED	Integrated solid state system and modular design with electrical quick disconnects is scalable for field upgrade and maintenance. High power, forward throw source complies with ANSI C78.377 binning requirements and exceeds ENERGY STAR® lumen maintenance requirements. LM-80 certified components. Integral, constant current driver. 12VAC/VDC input. 50/60Hz. Proprietary input control scheme achieves power factor correction and eliminates inrush current. Output, overvoltage, open-circuit, and short circuit protected. Inrush current limited to <250mA (non-dimming). Conforms to Safety Std. C22.2 No. 25013-12.
	OPTICS	Interchangeable, color-coded OPTIKIT modules permit field changes to optical distribution.
	BREAK-THRU PLUG	To create watertight seal, factory-installed break-thru plug must be used with round jacketed cable with a diameter of .130” min to .450” max (by others).
	INSTALLATION	Machined aluminum clamp for use with 1/4” O.D. stainless steel aircraft cable (by others).
	COLOR MANAGEMENT	Chip On Board technology delivers natural white light. Exact color point conformity exceeds ANSI C78.377 standard. Module exceeds 80 CRI (RA>80, R9.16). Color point uniformity 2 SDCM color control for 2700K-4000K CCT.
	HARDWARE	Tamper-resistant, stainless steel hardware.
	OPTION	Supplemental wire support clamp provides extra strain relief.
	FINISH	StarGuard, our 15-stage chromate-free process cleans and conversion coats aluminum components prior to application of Class ‘A’ TGIC polyester powder coating and is RoHS compliant. Powder coat or metal finish options available for brass material and metal finish option only for stainless steel material.
	WARRANTY	5-year limited warranty.
CERTIFICATION & LISTING	UL tested to IESNA LM-79. UL Listed. Certified to CAN/CSA/ ANSI Standards. RoHs compliant. Suitable for indoor or outdoor use and in wet locations. IP66 Rated. Made in USA with sustainable processes.	



# LAMP & DRIVER DATA (x52, x53, x54)

DATE:

PROJECT:

TYPE:

## DRIVER ELECTRICAL DATA

Type	LED Type	AC Input Range	Frequency Hz	Power Factor At Full Load (Efficiency)	THD	InRush Current	Operating Current	Operation Ambient Temperature	Dimmer Type	Dimmer Range
INC	x52 - x54	120-277VAC	50/60	> 0.9	<20%	n/a	350mA	-30° C ~ 90°C	TRIAC/ELV (120V)	10-100%

## LM79 DATA

BK No.	LUMENS (Source)	CCT (Typ.)	CRI (Ra. Typ.)	Input Watts (Typ.)
x52	1180	2700K	80	10
x53	1230	3000K	80	10
x54	1280	4000K	80	10

## L70 DATA

Minimum Rated Life (hrs.) 70% of initial lumens (L70)
50,000
50,000
50,000

## OPTICAL DATA

Beam Type	Angle	CBCP
Spot	20°	2680
Flood	40°	1744
Wide Flood	60°	640

**B-K LIGHTING**

MADE IN THE USA

559.438.5800 | INFO@BKLIGHTING.COM | BKLIGHTING.COM

THIS DOCUMENT CONTAINS PROPRIETARY INFORMATION OF B-K LIGHTING, INC. AND ITS RECEIPT OR POSSESSION DOES NOT CONVEY ANY RIGHTS TO REPRODUCE, DISCLOSE ITS CONTENTS, OR TO MANUFACTURE, USE OR SELL ANYTHING IT MAY DESCRIBE. REPRODUCTION, DISCLOSURE OR USE WITHOUT SPECIFIC WRITTEN AUTHORIZATION OF B-K LIGHTING, INC. IS STRICTLY FORBIDDEN.