

DATE: _____ PROJECT: _____ TYPE: _____

CATALOG NUMBER LOGIC:



*Accommodates up to 2 lens/shielding media.

CATALOG NUMBER LOGIC

Example: CY - DE - LED - TR - x58 - SP - BZW - 9 - 11 - C - INC - MT - WC

MATERIAL

Aluminum

SERIES

CY - Catenary

FIXTURE

DE - Denali

SOURCE

LED - Chip on Board Technology

HOUSING

TR - Integral Driver

LED TYPE

x58 - 12W/2700K/80CRI x62 - 20W/3000K/80CRI x66 - 27W/4000K/80CRI

x59 - 12W/3000K/80CRI x63 - 20W/4000K/80CRI x67 - 27W/2700K/90CRI

x60 - 12W/4000K/80CRI x64 - 27W/2700K/80CRI x68 - 27W/3000K/90CRI

x61 - 20W/2700K/80CRI x65 - 27W/3000K/80CRI x69 - 27W/3500K/80CRI

OPTICS

SP - Spot (15°) FL - Flood (35°) WFL - Wide Flood (60°)

FINISH (See page 2 for full-color swatches)

Standard Finishes (BZP, BZW, BLP, BLW, WHP, WHW, SAP, VER)

Premium Finish (ABP, AMG, AQW, BCM, BGE, BPP, CAP, CMG, CRI, CRM, HUG, MDS, NBP, OCP, RMG, SDS, SMG, TXF, WCP, WIR)

Also available in RAL Finishes

LENS TYPE*

9 - Clear (Standard)

12 - Soft Focus 13 - Rectilinear

SHIELDING*

11 - Honeycomb Baffle

CAP STYLE

C - Flush Lens

D - 45° Less Weephole (Internal use only)

E - 90° Less Weephole (Internal use only)

CONTROL TYPE

INC - Dimming Driver (For use with incandescent dimmer - 120V only)

INPUT VOLTAGE

MT - 120-277 VAC Input

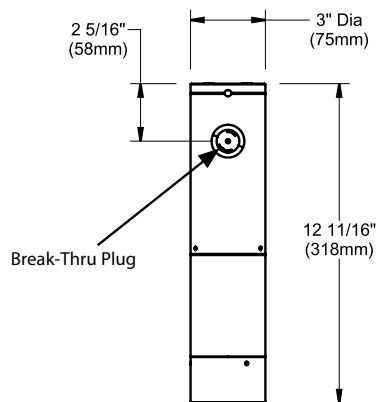
OPTION

WC - Supplemental Wire Clamp

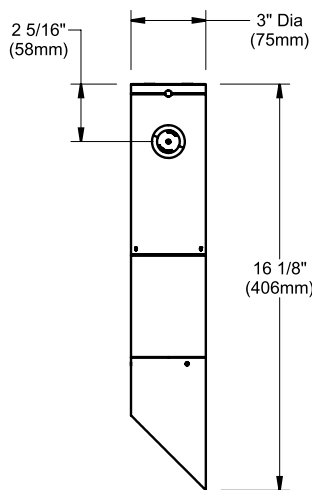


TITLE 24, JA8 COMPLIANT

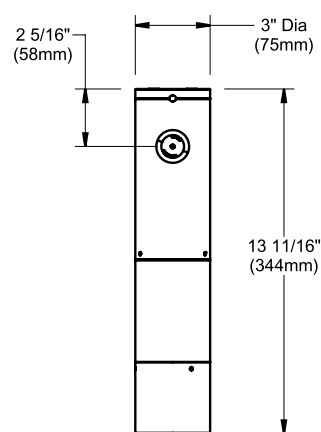
DATE: _____ PROJECT: _____ TYPE: _____



EPA ≈ 0.26ft²
"C" CAP



EPA ≈ 0.32ft²
"D" CAP



EPA ≈ 0.28ft²
"E" CAP

* EPA shown includes fixture body
* Fixture Weight ≈ (LIST BELOW)

	"C" CAP	"D" CAP	"E" CAP
ALUMINUM	5.55IBS	5.71IBS	5.63IBS

STANDARD FINISHES



PREMIUM FINISHES



[Click Here](#) to view larger, full-color swatches of all available finishes on our website.

DATE:	PROJECT:	TYPE:
-------	----------	-------

ACCESSORIES (Configure separately)

SPECIFICATIONS

ELECTRICAL	WATTAGE	12W, 20W, or 27W LED
	WIRING	Anti-Wicking Connector prevents "wicking" through conductor insulation. Red/Black Stranded, direct burial wire, PVC, 18/2GA, 30V, 60°C.
	DRIVER	For use with [1] 700mA, Class A, constant current driver. 120- 277VAC (nominal) primary input voltage. 50/60Hz. >0.94 Power Factor, 6A in-rush current, 0.25A input current, .5%THD (nominal at 120VAC full load). Output over-voltage, overcurrent, and short circuit protection with auto recovery. EMC: FCC47CFR Part 15 Class B compliant. Dimming driver for use with standard incandescent dimmers. 10-100% range (Only Available with X58-X63). INC Driver - For use with Incandescent Standard TRIAC or ELV dimmers. 10-100% range, 120V only. (Only Available with X64-X66)
PHYSICAL	MATERIALS	Furnished in copper-free aluminum (6061-T6).
	BODY	Unibody design is fully machined from solid billet and provides enclosed, water-proof wireway and integral heat sink for maximum component life. High temperature, silicone 'O' Ring provides water-tight seal. Anti-condensation and corrosion vent equalizes fixture pressure and eliminates potential for damage to internal components.
	CAP	Fully machined and accommodates up to two (2) lens or louver media.
	LENS	Shock-resistant, tempered glass lens is factory adhered to fixture cap and provides hermetically sealed optical compartment.
	LED	Integrated solid state system and modular design with electrical quick disconnects is scalable for field upgrade and maintenance. High power, forward throw source complies with ANSI C78.377 binning requirements and exceeds ENERGY STAR® lumen maintenance requirements. LM-80 certified components. Title 24, JA8 compliant. Integral, constant current driver. 12VAC/VDC input. 50/60Hz. Proprietary input control scheme achieves power factor correction and eliminates inrush current. Output, overvoltage, open-circuit, and short circuit protected. Inrush current limited to <250mA (non-dimming). Conforms to Safety Std. C22.2 No. 250.13-12.
	COLOR MANAGEMENT	Corrected cold phosphor technology delivers near-perfect natural white light. Long term phosphor maintenance over product life. Exact color point conformity exceeds ANSI C78.377 standard. Provides uniform beam with no color variation over angle. Module exceeds 80 CRI (RA>80, R9>16).
	OPTICS	Interchangeable, color-coded OPTIKIT modules permit field changes to optical distribution.
	BREAK-THRU PLUG	To create watertight seal, factory-installed break-thru plug must be used with round jacketed cable with a diameter of .130" min to .450" max (by others).
	INSTALLATION	Machined aluminum clamp for use with 1/4" O.D. stainless steel aircraft cable (by others).
	HARDWARE	Tamper-resistant, stainless steel hardware.
	OPTION	Supplemental wire support clamp provides extra strain relief.
	FINISH	StarGuard, our 15-stage chromate-free process cleans and conversion coats aluminum components prior to application of Class 'A' TGIC polyester powder coating and is RoHS compliant. Powder coat or metal finish options available for brass material and metal finish option only for stainless steel material.
	WARRANTY	5-year limited warranty.
CERTIFICATION & LISTING	UL tested to IESNA LM-79. UL Listed. Certified to CAN/CSA/ ANSI Standards. RoHs compliant. Title 24, JA8 compliant. Suitable for indoor or outdoor use and in wet locations. IP66 Rated. Made in USA with sustainable processes.	



TITLE 24, JA8



RoHS



B-K LIGHTING

MADE IN THE USA

559.438.5800 | INFO@BKLIGHTING.COM | BKLIGHTING.COM

LAMP & DRIVER DATA (x58, x59, x60, x61, x62, x63, x64, x65, x66, x67, x68)

DATE:

PROJECT:

TYPE:

DRIVER ELECTRICAL DATA

Type	LED Type	AC Input Range	Frequency Hz	Power Factor At Full Load (Efficiency)	THD	InRush Current	Operating Current	Operation Ambient Temperature	Dimmer Type	Dimmer Range
INC	x58-x63	105-305Vac	50/60	> 0.94	≤5%	< 250mA	700mA	-30° C ~ 50°C	Incandescent	10-100%
INC	x64-x66	105-305Vac	50/60	> 0.94	≤5%	< 250mA	700mA	-30° C ~ 50°C	TRIAC/ELV, (120 Only)	10-100%

LM79 DATA

BK No.	CCT (Typ.)	CRI (Typ.)	Input Watts	L70 Data
x58	2700	80	12	50,000
x61	2700	80	20	50,000
x64	2700	80	27	50,000
x67	2700	90	27	50,000
x64	2700	80	27	50,000
x67	2700	90	27	50,000
x64	2700	80	27	50,000
x67	2700	90	27	50,000
x59	3000	80	12	50,000
x62	3000	80	20	50,000
x65	3000	80	27	50,000
x68	3000	90	27	50,000
x65	3000	80	27	50,000
x68	3000	90	27	50,000
x65	3000	80	27	50,000
x68	3000	90	27	50,000
x60	4000	80	12	50,000
x60	4000	80	12	50,000
x60	4000	80	12	50,000
x63	4000	80	20	50,000
x63	4000	80	20	50,000
x63	4000	80	20	50,000
x66	4000	80	27	50,000
x66	4000	80	27	50,000
x66	4000	80	27	50,000

OPTICAL DATA

Angle	CBCP	Del. Lumens	Multiplier
15	3865	721	0.85
15	7103	1307	0.91
15	15656	1767	0.92
15	16167	1986	1.03
35	4649	1586	0.92
35	4801	1782	1.03
60	1515	1383	.92
60	1564	1555	1.03
15	4048	756	0.89
15	7478	1376	0.96
15	16132	1820	0.95
15	16659	1880	1.03
35	4791	1634	0.95
35	4947	1687	1.03
60	1561	1426	0.95
60	1612	1472	1.03
15	4561	851	
35	1762	780	
60	740	736	
15	7800	1435	
35	2880	1235	
60	1152	1168	
15	17042	1923	
35	5061	1726	
60	1649	1506	

OPTICS

Optic	Angle
Spot	15°
Flood	35°
Wide Flood	60°

B-K LIGHTING

MADE IN THE USA

559.438.5800 | INFO@BKLIGHTING.COM | BKLIGHTING.COM

THIS DOCUMENT CONTAINS PROPRIETARY INFORMATION OF B-K LIGHTING, INC. AND ITS RECEIPT OR POSSESSION DOES NOT CONVEY ANY RIGHTS TO REPRODUCE, DISCLOSE ITS CONTENTS, OR TO MANUFACTURE, USE OR SELL ANYTHING IT MAY DESCRIBE. REPRODUCTION, DISCLOSURE OR USE WITHOUT SPECIFIC WRITTEN AUTHORIZATION OF B-K LIGHTING, INC. IS STRICTLY FORBIDDEN.