

DATE: PROJECT: TYPE:

CATALOG NUMBER LOGIC:



*Accommodates up to 2 lens/shielding media.

**120V only.

CATALOG NUMBER LOGIC

Example: DE - LED - TR - x98 - SP - BZW - 9 - 11 - A - ELV - 120

MATERIAL

Aluminum

SERIES

DE - Denali

SOURCE

LED - Chip on Board (COB) Technology

HOUSING

TR - Integral Driver

LED TYPE

x98 - 13W/2700K/80CRI	x101 - 13W/2700K/90CRI	✓
x99 - 13W/3000K/80CRI	x102 - 13W/3000K/90CRI	✓
x103 - 13W/3500K/80CRI	x104 - 13W/3500K/90CRI	✓
x100 - 13W/4000K/80CRI	x121 - 13W/4000K/90CRI	✓
x122 - 21W/2700K/80CRI	x126 - 21W/2700K/90CRI	✓
x123 - 21W/3000K/80CRI	x127 - 21W/3000K/90CRI	✓
x124 - 21W/3500K/80CRI	x128 - 21W/3500K/90CRI	✓
x125 - 21W/4000K/80CRI	x129 - 21W/4000K/90CRI	✓

OPTICS

SP - Spot (17°) FL - Flood (45°) WFL - Wide Flood (55°)

FINISH (See page 2 for full-color swatches)

Standard Finishes (BZP, BZW, BLP, BLW, WHP, WHW, SAP, VER)

Premium Finish (ABP, AMG, AQW, BCM, BGE, BPP, CAP, CMG, CRI, CRM, HUG, MDS, NBP, OCP, RMG, SDS, SMG, TXF, WCP, WIR)

Also available in RAL Finishes

LENS TYPE*

9 - Clear (Standard)

12 - Soft Focus 13 - Rectilinear

SHIELDING*

11 - Honeycomb Baffle

CAP STYLE

A - 45°

B - 90°

C - Flush

D - 45° Less Weephole (Downward Aiming Only)

E - 90° Less Weephole (Downward Aiming Only)

CONTROLS

ELV - Dimming Driver (For use with Electronic Low Voltage Dimmer)**

INC - Dimming Driver (For use with incandescent dimmer)**

010 - 0-10V Dimming Driver (Dimming ≤3-100%)

INPUT VOLTAGE

120 - 120 VAC

277 - 277 VAC



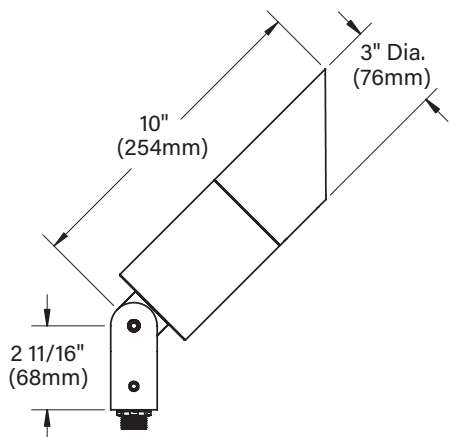
TITLE 24, JA8 COMPLIANT

B-K LIGHTING

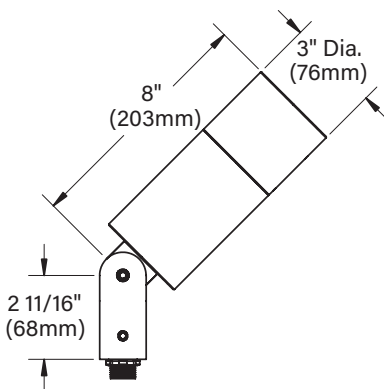
MADE IN THE USA

559.438.5800 | INFO@BKLIGHTING.COM | BKLIGHTING.COM

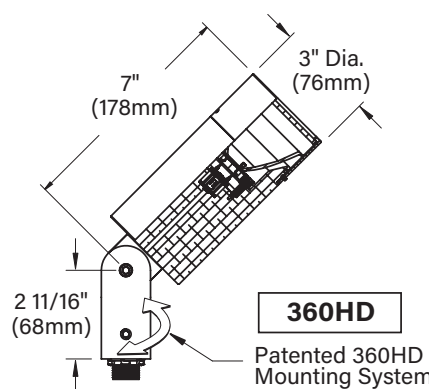
DATE: _____ PROJECT: _____ TYPE: _____



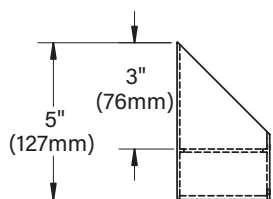
"A/D" CAP



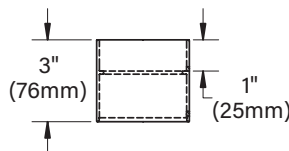
"B/E" CAP



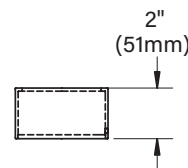
"C" CAP



"A"/"D" CAP



"B"/"E" CAP



"C" CAP

STANDARD FINISHES



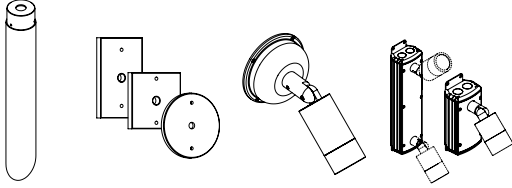
PREMIUM FINISHES



[Click Here](#) to view larger, full-color swatches of all available finishes on our website.

DATE: _____ PROJECT: _____ TYPE: _____

ACCESSORIES (Configure separately)



Power Pipe II Canopies Power Canopy PM2DJ & PM2J

SPECIFICATIONS

ELECTRICAL	WATTAGE	13W or 21W LED
	LED	COB technology and modular design with electrical quick disconnects allow for easy field upgrade and maintenance. LM-80 certified. Title 24, JA8 compliant options available. Minimum 50,000 hour rated life at 70% of initial lumens (L70).
	COLOR MANAGEMENT	COB technology delivers natural white light. Exact color point conformity exceeds ANSI C78.377 standard. Module exceeds 80 CRI (RA>80, R9.16). Color point uniformity 2 SDCM color control for 2700K-4000K CCT.
	WIRING	INC/ELV Wiring: 3 Wire, 18GA, Stranded, XLPE, 125°C, 300V, UL3265 rated wire 0-10 Wiring: 5 Wire, (3) 18GA and (2) 22GA, Stranded, XLPE, 125°C, 300V, UL3265 rated wire
	DRIVER	Incandescent/ELV Control Option Driver: Dimming driver for use with standard incandescent or electronic low voltage dimmers (10-100% range), 120VAC only. 0-10 Control Option Driver: Dimming driver for use with standard 0-10V dimmers (≤3-100% dim. range), 120-277VAC. With [1] 440mA (13W) / 700mA (21W). 50/60Hz. >0.9 Power Factor, (INC/ELV)10.0A/(0-10) <250mA in-rush current , .20%THD (nominal at 120VAC full load). Output over-voltage, overcurrent, and short circuit protection with auto recovery. Class 2 power supply; FCC47CFR Part 15 Compliant Class B (120VAC)/Class A (277VAC).
PHYSICAL	MATERIALS	Furnished in copper-free aluminum (6061-T6).
	BODY	Unibody design with enclosed, water-proof wireway and integral heat sink is fully machined from solid billet. Anti-condensation and corrosion vent equalizes fixture pressure and eliminates potential for damage to internal components.
	KNUCKLE	360HD Mounting System features a mechanical taperlock, allowing full 180° vertical adjustment without the use of aim-limiting serrated teeth. High temperature, silicone 'O' Ring provides water-tight seal and compressive resistance to maintain fixture position. Design withstands 73 lbs. static load prior to movement for optical alignment with a ½" pipe thread for mounting. Biaxial source control additionally provides 360° horizontal rotation in addition to vertical adjustment. Aim & Lock technology allows precision adjustment without the redundant tightening and loosening of knuckle screw.
	CAP	Fully machined and accommodates two (2) lens or louver media.
	LENS	Shock-resistant, tempered glass lens is factory adhered to fixture cap and provides hermetically sealed optical compartment.
	HARDWARE	Tamper-resistant, stainless steel hardware. 360HD hardware is black oxide treated for additional corrosion resistance.
	OPTICS	Interchangeable optics permit changes in the field.
WARRANTY CERTIFICATION & LISTING	FINISH	StarGuard, our 15-stage chromate-free process, cleans and conversion coats aluminum components prior to application of Class 'A' TGIC polyester powder coating and is RoHS compliant.
	WARRANTY	5-year limited warranty.
	CERTIFICATION & LISTING	UL tested to IESNA LM-79. UL Listed. Certified to CAN/CSA/ANSI Standards. RoHS compliant components. Suitable for indoor or outdoor use, in wet locations, and for installation within 4' of the ground. IP66 Rated. Made in the USA with sustainable processes.



LAMP & DRIVER DATA (page 1 of 2)

DATE: _____ PROJECT: _____ TYPE: _____

DRIVER ELECTRICAL DATA

Type	AC Input Range	Frequency Hz	Power Factor At Full Load (Efficiency)	THD	InRush Current	Operating Current	Operation Ambient Temperature	Dimmer Type	Dimmer Range
Integral	120VAC	50/60	> 0.9	20%	10A	440mA (13W)/700mA (21W)	-30° C ~ 70°C	TRIAC/ELV	1-100%
Integral	105-300VAC	50/60	> 0.9	20%	<250mA	440mA (13W)/700mA (21W)	-30° C ~ 90°C	0-10	≤3-100%

LM79 DATA

OPTICAL DATA

BK No.	CCT (Typ.)	CRI (Typ.)	Input Watts (Typ.)	L70 Data	Angle	CBCP	Del. Lumens	Muliplier
x98	2700	80	13	50,000	17	6,480	829	0.92
x98	2700	80	13	50,000	45	1,773	1,041	0.92
x98	2700	80	13	50,000	55	1,478	1,180	0.92
x99	3000	80	13	50,000	17	6,796	869	0.96
x99	3000	80	13	50,000	45	1,860	1,091	0.96
x99	3000	80	13	50,000	55	1,550	1,237	0.96
x103	3500	80	13	50,000	17	6,685	855	0.95
x103	3500	80	13	50,000	45	1,829	1,074	0.95
x103	3500	80	13	50,000	55	1,525	1,217	0.95
x100	4000	80	13	50,000	17	7,059	903	1.00
x100	4000	80	13	50,000	45	1,931	1,134	1.00
x100	4000	80	13	50,000	55	1,610	1,285	1.00
x101	2700	90	13	50,000	17	4,486	574	0.69
x101	2700	90	13	50,000	45	1,228	720	0.69
x101	2700	90	13	50,000	55	1,023	817	0.69
x102	3000	90	13	50,000	17	4,936	631	0.73
x102	3000	90	13	50,000	45	1,350	793	0.73
x102	3000	90	13	50,000	55	1,126	899	0.73
x104	3500	90	13	50,000	17	4,775	611	0.71
x104	3500	90	13	50,000	45	1,307	767	0.71
x104	3500	90	13	50,000	55	1,089	869	0.71
x121	4000	90	13	50,000	17	5,324	681	0.75
x121	4000	90	13	50,000	45	1,457	855	0.75
x121	4000	90	13	50,000	55	1,214	969	0.75
x122	2700	80	21	50,000	17	9,040	1,208	0.87
x122	2700	80	21	50,000	45	2,437	1,359	0.87
x122	2700	80	21	50,000	55	1,876	1,416	0.87
x123	3000	80	21	50,000	17	10,030	1,341	0.96
x123	3000	80	21	50,000	45	2,704	1,508	0.96
x123	3000	80	21	50,000	55	2,082	1,571	0.96
x124	3500	80	21	50,000	17	8,496	1,136	0.81
x124	3500	80	21	50,000	45	2,290	1,277	0.81
x124	3500	80	21	50,000	55	1,763	1,331	0.81
x125	4000	80	21	50,000	17	10,431	1,394	1.00
x125	4000	80	21	50,000	45	2,812	1,568	1.00
x125	4000	80	21	50,000	55	2,165	1,634	1.00

B-K LIGHTING

MADE IN THE USA

559.438.5800 | INFO@BKLIGHTING.COM | BKLIGHTING.COM

THIS DOCUMENT CONTAINS PROPRIETARY INFORMATION OF B-K LIGHTING, INC. AND ITS RECEIPT OR POSSESSION DOES NOT CONVEY ANY RIGHTS TO REPRODUCE, DISCLOSE ITS CONTENTS, OR TO MANUFACTURE, USE OR SELL ANYTHING IT MAY DESCRIBE. REPRODUCTION, DISCLOSURE OR USE WITHOUT SPECIFIC WRITTEN AUTHORIZATION OF B-K LIGHTING, INC. IS STRICTLY FORBIDDEN.

LAMP & DRIVER DATA (page 2 of 2)

DATE: _____ PROJECT: _____ TYPE: _____

LM79 DATA				OPTICAL DATA				
BK No.	CCT (Typ.)	CRI (Typ.)	Input Watts (Typ.)	L70 Data	Angle	CBCP	Del. Lumens	Muliplier
x126	2700	90	21	50,000	17	6,120	818	0.68
x126	2700	90	21	50,000	45	1,650	920	0.68
x126	2700	90	21	50,000	55	1,270	959	0.68
x127	3000	90	21	50,000	17	7,535	1,007	0.75
x127	3000	90	21	50,000	45	2,031	1,133	0.75
x127	3000	90	21	50,000	55	1,564	1,180	0.75
x128	3500	90	21	50,000	17	5,406	723	0.64
x128	3500	90	21	50,000	45	1,457	813	0.64
x128	3500	90	21	50,000	55	1,225	847	0.64
x129	4000	90	21	50,000	17	8,148	1,089	0.78
x129	4000	90	21	50,000	45	2,196	1,225	0.78
x129	4000	90	21	50,000	55	1,691	1,277	0.78

OPTICS	
Optic	Angle
Spot w/ 13 Accy	16 x 50
Spot	17°
Flood	45°
Wide Flood	55°