

DATE:	PROJECT:	TYPE:
-------	----------	-------

CATALOG NUMBER LOGIC:



**Designed for use with LED transformer.*

CATALOG NUMBER LOGIC

Example: DR2 - LED - RS - e57 - SAP - 4 - 5 - GM-R

MATERIAL

(Blank) - Aluminum B - Brass S - Stainless Steel

FACEPLATE

DR2 - DriveStar2

OptiLock®

LED - with Integral Driver*

HOUSING

RS - Requires Remote Transformer (Shallow Housing)

LED TYPE

e57 - 8W LED/2700K e58 - 8W LED/3000K e59 - 8W LED/4000K

FINISH (See page 2 for full-color swatches)

Standard Finishes (BZP, BZW, BLP, BLW, WHP, WHW, SAP, VER)

Premium Finish (ABP, AMG, AQW, BCM, BGE, BPP, CAP, CMG, CRI, CRM, HUG, MDS, NBP, OCP, RMG, SDS, SMG, TXF, WCP, WIR)

Also available in RAL Finishes

Brass Finishes (MAC, POL, MIT)

Stainless Steel Finishes (MAC, POL)

OPTICAL OPENINGS

1 - Single

2 - 2 @ 180°

4 - 4 @ 90°

WIRE LENGTH

5 - 5ft Low Voltage Cable

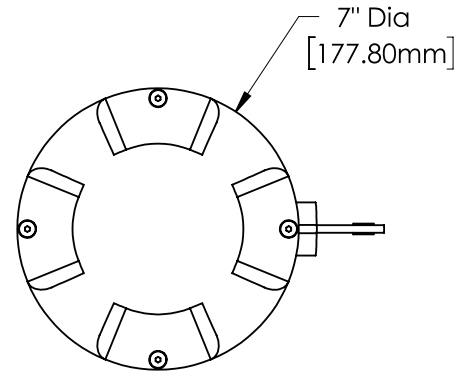
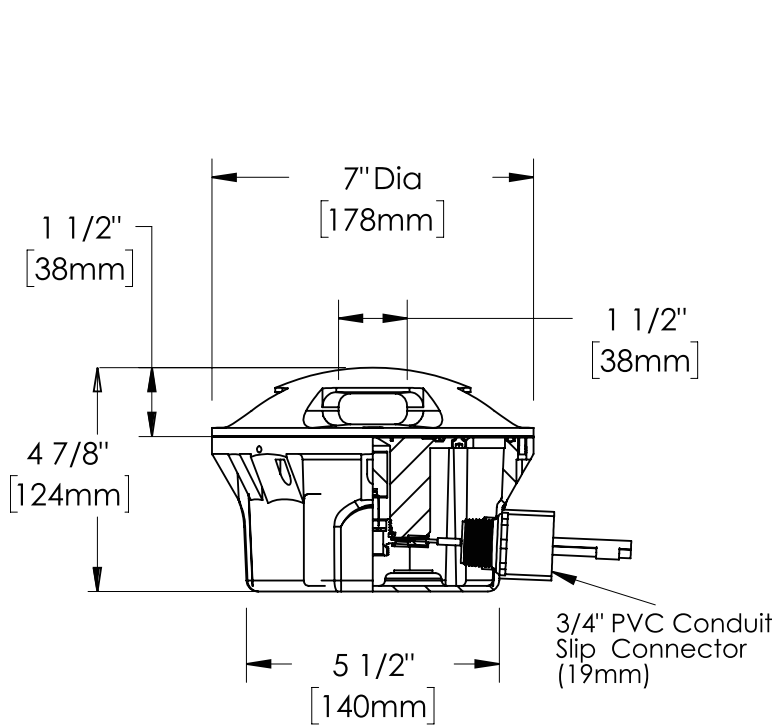
25 - 25ft Low Voltage Cable

OPTIONS

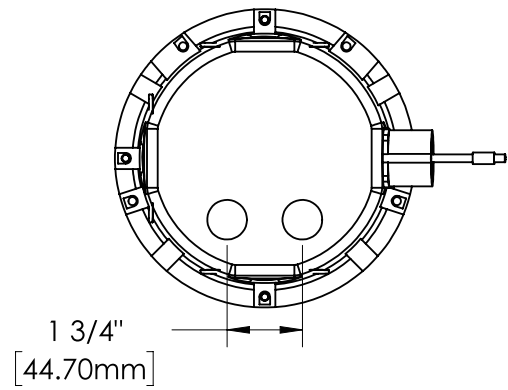
GM-R - Round Grout Mask

GM-S - Square Grout Mask

DATE: _____ PROJECT: _____ TYPE: _____



FACEPLATE VIEW



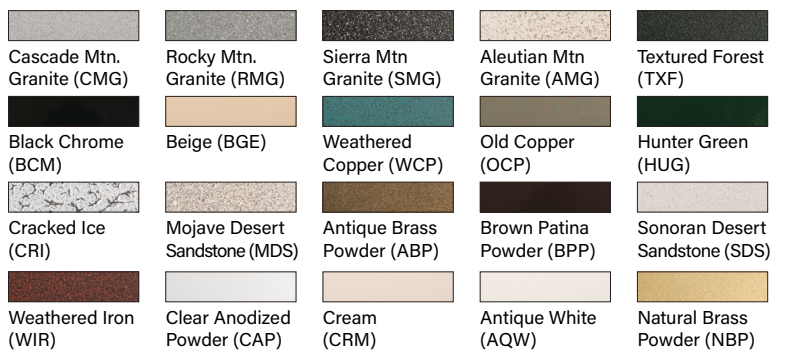
BOTTOM VIEW

STANDARD FINISHES



[Click Here](#) to view larger, full-color swatches of all available finishes on our website.




PREMIUM FINISHES



DATE:	PROJECT:	TYPE:
-------	----------	-------

ACCESSORIES (Configure separately)

SPECIFICATIONS

ELECTRICAL	WATTAGE	8W LED
	WIRING / CONNECTORS	Anti-wicking potter connector with 5ft. Teflon® coated wire, 18 gauge, 600V, 250°C rated and certified to UL1659 standard. Provided with 3/4" conduit connector with 1/2 reducer.
	REMOTE TRANSFORMER	For use with 12VAC remote transformer or magnetic transformers only. B-K Lighting cannot guarantee performance with third party manufacturers' transformers.
PHYSICAL	FIXTURE HOUSING	Corrosion-free composite, made from high strength, thermo-formed, sheet molded polyester compound. Glass reinforced, flame retardant and UV stabilized. Pre-wired, fully potted antiwicking connector. Two (2) wire low voltage cable extends 5' from side flats of fixture housing to facilitate external wire splice.
	LED	Integrated solid state system and modular design with electrical quick disconnects permit field upgrade and maintenance. High power, forward throw source complies with ANSI C78.377 binning requirements and exceeds ENERGY STAR® lumen maintenance requirements. LM-80 certified components. Integral, constant current driver. 12VAC/VDC input. 50/60Hz. Proprietary input control scheme achieves power factor correction and eliminates inrush current. Output, over-voltage, open-circuit, and short circuit protected. Inrush current limited to 250mA (non-dimmed). Conforms to Safety Std. C22.2 No. 250.13-12. Line dimmable, for use with low voltage dimmer (min. 25% load required) with dedicated neutral conductor.
	INSTALLATION	For direct burial in soil or concrete. Consult Drainage Installation Guide for In-Grade Fixtures (DIG-IT) for compliance with proper soil preparation and drainage requirements prior to installation.
	LENS	High heat, Shock-resistant, 1/8" etched Pyrex® glass lens. Suitable for walk-over and drive-over applications up to 35,000 lbs.
	FACEPLATE	Options include solid, 1/2" machined 6061T6 aluminum, brass or stainless steel with five (5) black oxide, captive, stainless steel mounting screws.
	FINISH	StarGuard, our 15-stage chromate-free process cleans and conversion coats aluminum components prior to application of Class 'A' TGIC polyester powder coating and is RoHS compliant.
	WARRANTY	5-year limited warranty.
	CERTIFICATION & LISTING	UL Listed. Certified to CAN/CSA/ANSI Standards. ADA compliant. IP68 Rated. Made in the USA with sustainable processes.
  		

LAMP & DRIVER DATA

DATE:	PROJECT:	TYPE:
-------	----------	-------

DRIVER DATA	Input Volts	InRush Current	Operation Ambient Temperature
	12VAC/DC 50/60Hz	250mA. Max. (non-dimmed) Magnetic Low Voltage Dimmer	-10°F-130°F

LM79 DATA

BK No.	CCT (Typ.)	Input Watts (Typ.)	CRI (Typ.)
e57	2700K	8	80
e58	3000K	8	80
e59	4000K	8	80

L70 DATA

Minimum Rated Life (hrs.) 70% of initial lumens (L70)
50,000
50,000
50,000

B-K LIGHTING

MADE IN THE USA

559.438.5800 | INFO@BKLIGHTING.COM | BKLIGHTING.COM

THIS DOCUMENT CONTAINS PROPRIETARY INFORMATION OF B-K LIGHTING, INC. AND ITS RECEIPT OR POSSESSION DOES NOT CONVEY ANY RIGHTS TO REPRODUCE, DISCLOSE ITS CONTENTS, OR TO MANUFACTURE, USE OR SELL ANYTHING IT MAY DESCRIBE. REPRODUCTION, DISCLOSURE OR USE WITHOUT SPECIFIC WRITTEN AUTHORIZATION OF B-K LIGHTING, INC. IS STRICTLY FORBIDDEN.