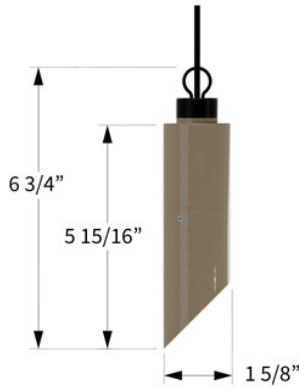


DATE: _____ PROJECT: _____ TYPE: _____

CATALOG NUMBER LOGIC:



**Designed for use with LED transformer. Requires magnetic low voltage dimmer.*

CATALOG NUMBER LOGIC

Example: RM - 5 - MN - LED - e67 - MFL - SAP - 12 - 11 - D

MATERIAL

(Blank) - Aluminum B - Brass

SERIES

RM - Ring Mount

LEAD LENGTH

5 - 5 Ft. of Lamp Leads and Cable

25 - 25 Ft. of Lamp Leads and Cable

FIXTURE

MN - Micro Nite Star

SOURCE

LED - with Integral Dimming Driver (25W min. load when dimmed)*

LED TYPE

e67 - 7W LED/2700K e69 - 7W LED/4000K

e68 - 7W LED/3000K e75 - 7W LED/Amber

OPTICS

SP - Spot (17°) MFL - Medium Flood (25°) FL - Flood (30°)

FINISH (See page 2 for full-color swatches)

Standard Finishes (BZP, BZW, BLP, BLW, WHP, WHW, SAP, VER)

Premium Finish (ABP, AMG, AQW, BCM, BGE, BPP, CAP, CMG, CRI, CRM, HUG, MDS, NBP, OCP, RMG, SDS, SMG, TXF, WCP, WIR)

Also available in RAL Finishes

Brass Finishes (MAC, POL, MIT)

LENS TYPE

12 - Soft Focus 13 - Rectilinear

SHIELDING

11 - Honeycomb Baffle

CAP STYLE

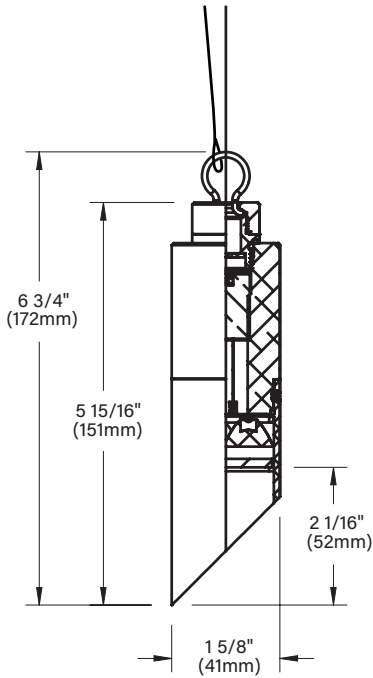
C - Flush

D - 45° Less Weephole

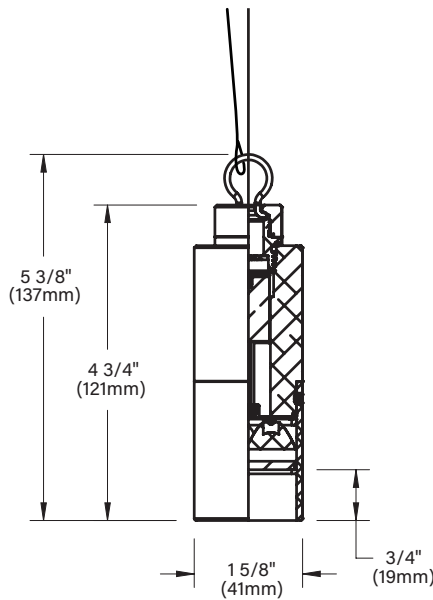
E - 90° Less Weephole

DATE: _____ PROJECT: _____ TYPE: _____

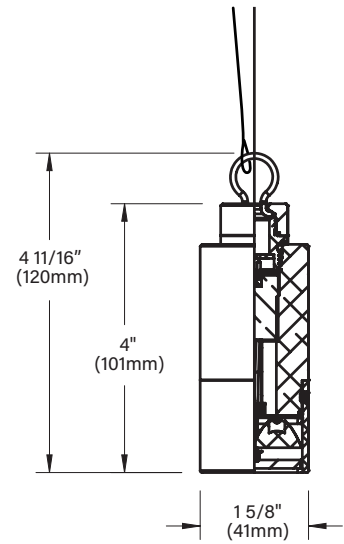
“D” CAP



“E” CAP



“C” CAP

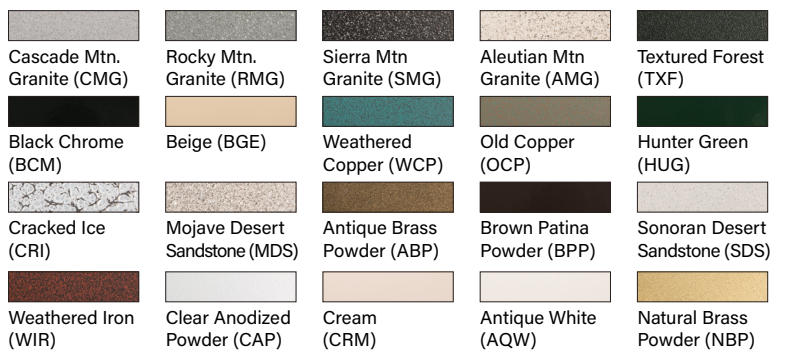


STANDARD FINISHES



[Click Here](#) to view larger, full-color swatches of all available finishes on our website.

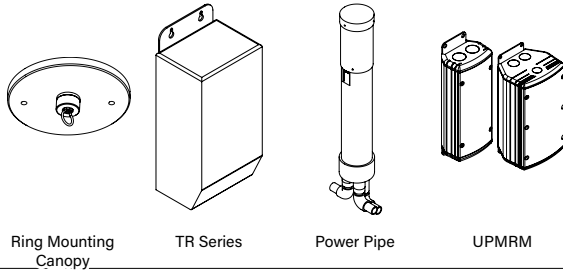
PREMIUM FINISHES



DATE: _____ PROJECT: _____ TYPE: _____

ACCESSORIES (Configure separately)

Drivers (Configure separately)



SPECIFICATIONS

ELECTRICAL	WATTAGE	7W LED
	WIRING	Outdoor rated, 18Ga., 30V, 60°C rated and certified to UL 1838 standard. Anti-Siphon Valve (ASV™) prevents “wicking” through conductor insulation.
	REMOTE TRANSFORMER	For use with 12VAC remote transformer or magnetic transformers only. B-K Lighting cannot guarantee performance with third party manufacturers’ transformers.
PHYSICAL	MATERIALS	Furnished in copper-free aluminum (6061-T6) or brass (360).
	BODY	Unibody design is fully machined from solid billet and provides enclosed, water-proof wireway and integral heat sink for maximum component life. High temperature, silicone ‘O’ Ring provides water-tight seal.
	MOUNTING	Ring 3/4” O.D. black oxide stainless steel mounting ring allows for cable or hook mounting. Machined aluminum endcap in black anodize finish for maximum corrosion resistance provides water tight enclosure with fully potted antiwicking LED connectors. 5’ or 25’ 18Ga., 2 wire low voltage cable from fixture body to facilitate external wire splice. Fixture is suspended by 1/32” strand stainless steel safety cable with oval sleeve.
	CAP	Fully machined and accommodates one (1) lens or louver media.
	LENS	Shock-resistant, tempered glass lens is factory adhered to fixture cap and provides hermetically sealed optical compartment.
	LED	Integrated solid state system. High power, forward throw source complies with ANSI C78.377 binning requirements and exceeds ENERGY STAR® lumen maintenance requirements. LM-80 certified components. Integral non-dimming driver. Minimum 50,000 hour rated life at 70% of initial lumens (L70). LED® technology provides long life, significant energy reduction and exceptional thermal management.
	DIMMING	Line voltage dimmable via magnetic low voltage dimmer with dedicated neutral conductor. For purposes of dimming: Remote magnetic transformer with LED loads should be loaded to 25% of the transformer VA (watts) rated value.
	OPTICS	Interchangeable, color-coded OPTIKIT modules permit field changes to optical distribution.
	HARDWARE	Tamper-resistant, stainless steel hardware.
	FINISH	StarGuard, our 15-stage chromate-free process cleans and conversion coats aluminum components prior to application of Class ‘A’ TGIC polyester powder coating and is RoHS compliant. Powder coat or metal finish options available for brass material and metal finish option only for stainless steel material.
WARRANTY	5-year limited warranty.	
CERTIFICATION & LISTING	ITL tested to IESNA LM-79. UL Listed. Certified to CAN/CSA/ANSI Standards. RoHS compliant. Suitable for indoor or outdoor use and in wet locations. IP66 Rated. Made in the USA with sustainable processes.	



LAMP & DRIVER DATA (e67, e68, e69, e75)

DATE:	PROJECT:	TYPE:
-------	----------	-------

DRIVER DATA	Input Volts	InRush Current	Operating	Dimmable	Operation Ambient Temperature
	12VAC/DC 50/60Hz	<250mA (non-dimmed)	500mA	Magnetic Low Voltage Dimmer	-22°F-194°F (-30°C - 90°C)

LM79 DATA				L70 DATA	OPTICAL DATA		
BK No.	CCT (Typ.)	CRI (Typ.)	Input Watts (Typ.)	Minimum Rated Life (hrs.) 70% of initial lumens (L ₇₀)	Angle	CBCP	Delivered Lumens
e67	2700K	80	7	50,000	17°	3632	459
	2700K	80	7	50,000	25°	1708	435
	2700K	80	7	50,000	30°	1337	438
e68	3000K	80	7	50,000	17°	3871	489
	3000K	80	7	50,000	25°	1821	464
	3000K	80	7	50,000	30°	1425	467
e69	4000K	80	7	50,000	17°	3991	504
	4000K	80	7	50,000	25°	1877	478
	4000K	80	7	50,000	30°	1469	481
e75	Amber (590nm)	~	7	50,000	~	~	~

OPTICS	
Optic	Angle
SP - Spot	17°
MFL - Medium Flood	25°
FL - Flood	30°