

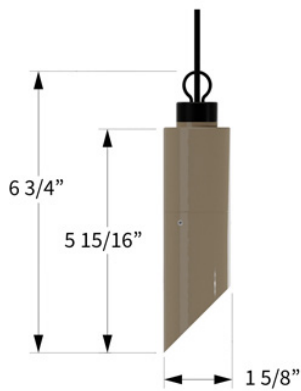
# MICRO NITE STAR - RING MOUNT (MR11 LED LAMP)

DATE:

PROJECT:

TYPE:

CATALOG NUMBER LOGIC:



## CATALOG NUMBER LOGIC

Example: RM - 5 - MN - MR - 0 - BZP - 9 - 11 - E

## MATERIAL

(Blank) - Aluminum B - Brass

## SERIES

RM - Ring Mount

## LEAD LENGTH

5 - 5 Ft. of Lamp Leads and Cable

25 - 25 Ft. of Lamp Leads and Cable

## FIXTURE

MN - Micro Nite Star

## SOURCE

MR - MR11 Lamp

## LAMP TYPE

0 - MR11 Halogen Lamp (Sourced by others)

## FINISH (See page 2 for full-color swatches)

Standard Finishes (BZP, BZW, BLP, BLW, WHP, WHW, SAP, VER)

Premium Finish (ABP, AMG, AQW, BCM, BGE, BPP, CAP, CMG, CRI, CRM, HUG, MDS, NBP, OCP, RMG, SDS, SMG, TXF, WCP, WIR)

Also available in RAL Finishes

Brass Finishes (MAC, POL, MIT)

## LENS TYPE

9 - Clear (Standard)

10 - Spread 12 - Soft Focus 13 - Rectilinear

## SHIELDING

11 - Honeycomb Baffle

## CAP STYLE

C - Flush

D - 45° Less Weephole (Interior use only)

E - 90° Less Weephole (Interior use only)

**B-K LIGHTING**

**MADE IN THE USA**

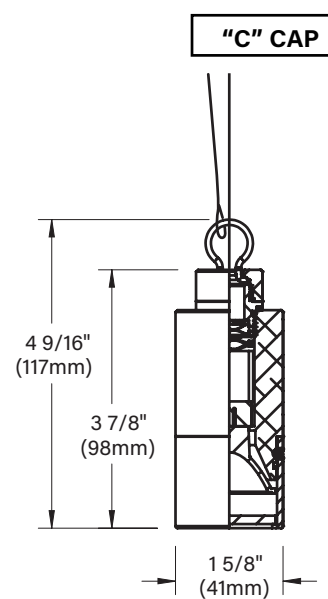
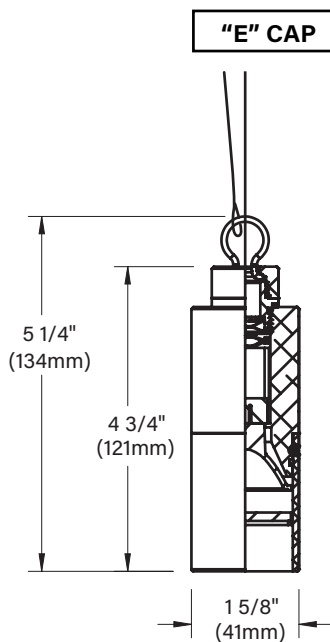
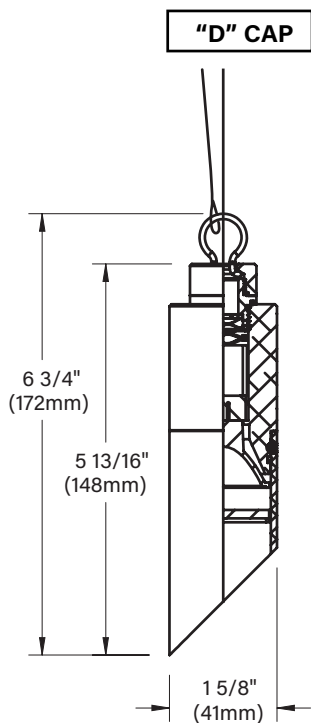
559.438.5800 | INFO@BKLIGHTING.COM | BKLIGHTING.COM

THIS DOCUMENT CONTAINS PROPRIETARY INFORMATION OF B-K LIGHTING, INC. AND ITS RECEIPT OR POSSESSION DOES NOT CONVEY ANY RIGHTS TO REPRODUCE, DISCLOSE ITS CONTENTS, OR TO MANUFACTURE, USE OR SELL ANYTHING IT MAY DESCRIBE. REPRODUCTION, DISCLOSURE OR USE WITHOUT SPECIFIC WRITTEN AUTHORIZATION OF B-K LIGHTING, INC. IS STRICTLY FORBIDDEN.

08/21/2020 SKU-1157  
SUB-2177-00

# MICRO NITE STAR - RING MOUNT (MR11 LED LAMP)

DATE: \_\_\_\_\_ PROJECT: \_\_\_\_\_ TYPE: \_\_\_\_\_



## STANDARD FINISHES



[Click Here](#) to view larger, full-color swatches of all available finishes on our website.

## PREMIUM FINISHES



**B-K LIGHTING**

MADE IN THE USA

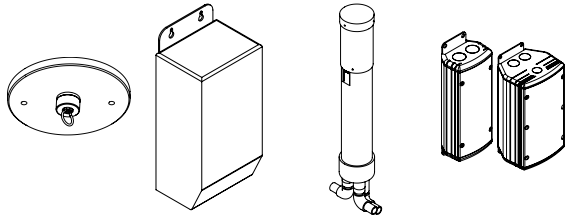
559.438.5800 | INFO@BKLIGHTING.COM | BKLIGHTING.COM

# MICRO NITE STAR - RING MOUNT (MR11 LED LAMP)

DATE:	PROJECT:	TYPE:
-------	----------	-------

ACCESSORIES (Configure separately)

Drivers (Configure separately)



Ring Mounting Canopy    TR Series    Power Pipe    UPMRM

## SPECIFICATIONS

ELECTRICAL	WATTAGE	20W Maximum
	WIRING	Teflon® coated wire, 18AWG, 600V, 250° C rated and certified to UL1659 standard.
	SOCKET	Outdoor rated, 12Ga., 30V, 60°C rated and certified to UL 1838 standard. Anti-Siphon Valve (ASV™) prevents "wicking through conductor insulation.
	TRANSFORMER	For use with 12 VAC remote transformer.
PHYSICAL	MATERIALS	Furnished in copper-free aluminum (6061-T6) or brass (360).
	BODY	Unibody design is fully machined from solid billet and provides enclosed, water-proof wireway and heat sink to maximize lamp life. Integral knuckle for maximum mechanical strength. High temperature, silicon 'O' Ring provides water-tight seal.
	MOUNTING RING	¾" O.D. black oxide stainless steel mounting ring allows for cable or hook mounting. Machined aluminum endcap in black anodize finish for maximum corrosion resistance provides water tight enclosure with fully potted antiwicking LED connectors. 5' or 25' 12Ga., 2 wire low voltage cable from fixture body to facilitate external wire splice. Fixture is suspended by 1/32" strand stainless steel safety cable with oval sleeve.
	CAP	Fully machined. Accommodates [2] lens or louver media. Choose from 45° cutoff ('D'), 1" deep bezel with 90° cutoff ('E') or flush lens ('C') cap styles.
	LENS	Shock-resistant, tempered glass lens is factory adhered to fixture cap and provides hermetically sealed optical compartment.
	LAMP	For use with 20W maximum, MR11 lamp. Halogen sourced by others.
	HARDWARE	Tamper-resistant, stainless steel hardware. LOCK aiming screw is black oxide treated for additional corrosion resistance.
	FINISH	StarGuard, our 15-stage chromate-free process cleans and conversion coats aluminum components prior to application of Class 'A' TGIC polyester powder coating and is RoHS compliant. Brass components are available in powder coat or handcrafted metal finish. Stainless steel components are only available in handcrafted metal finish.
	WARRANTY	5-year limited warranty.
	CERTIFICATION & LISTING	UL Listed. Certified to CAN/CSA/ANSI standards. RoHS compliant. Suitable for indoor or outdoor use, in wet locations, and for installation within 4' of the ground. Made in the USA with sustainable processes.



<b>B-K LIGHTING</b>	<b>MADE IN THE USA</b>	559.438.5800   <a href="mailto:INFO@BKLIGHTING.COM">INFO@BKLIGHTING.COM</a>   <a href="http://BKLIGHTING.COM">BKLIGHTING.COM</a>
---------------------	------------------------	--