

DATE: PROJECT: TYPE:

CATALOG NUMBER LOGIC:



**Designed for use with LED transformer.*

CATALOG NUMBER LOGIC

Example: RM - 5 - MM - LED - e70 - SP - BZW - 12 - 11 - E

MATERIAL

(Blank) - Aluminum B - Brass S - Stainless Steel

SERIES

RM - Ring Mount

LEAD LENGTH

5 - 5 Ft. of Lamp Leads and Cable

25 - 25 Ft. of Lamp Leads and Cable

FIXTURE

MM - Mini-Micro

SOURCE

LED - with Non-Dimming Integral Driver*

LED TYPE

e70 - 3W LED/2700K e72 - 3W LED/4000K

e71 - 3W LED/3000K e73 - 3W LED/Amber

OPTICS

NSP - Narrow Spot (17°) MFL - Medium Flood (28°)

SP - Spot (21°) ASY - Asymmetrical (17x31°)

FINISH (See page 2 for full-color swatches)

Standard Finishes (BZP, BZW, BLP, BLW, WHP, WHW, SAP, VER)

Premium Finish (ABP, AMG, AQW, BCM, BGE, BPP, CAP, CMG, CRI, CRM, HUG, MDS, NBP, OCP, RMG, SDS, SMG, TXF, WCP, WIR)

Also available in RAL Finishes

Brass Finishes (MAC, POL, MIT)

Stainless Steel Finishes (MAC, POL)

LENS TYPE

12 - Soft Focus 13 - Rectilinear

SHIELDING

11 - Honeycomb Baffle

CAP STYLE

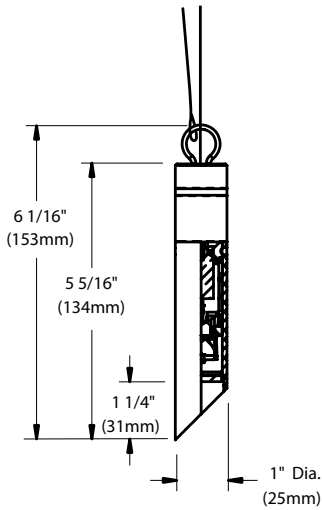
C - Flush

D - 45° Less Weephole

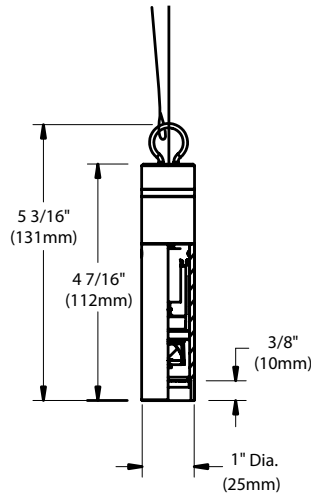
E - 90° Less Weephole

DATE: _____ PROJECT: _____ TYPE: _____

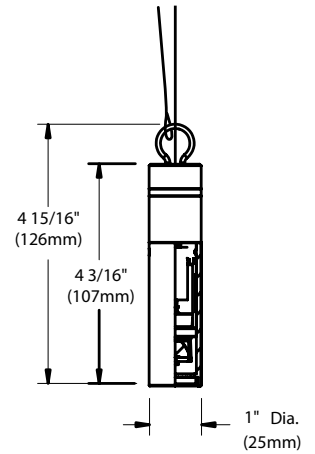
"D" CAP



"E" CAP



"C" CAP

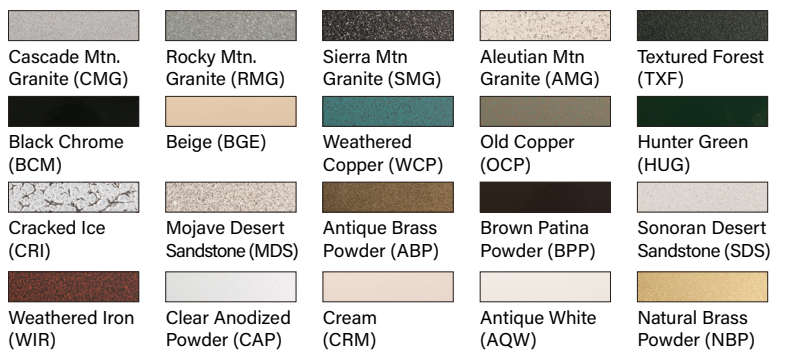


STANDARD FINISHES



[Click Here](#) to view larger, full-color swatches of all available finishes on our website.

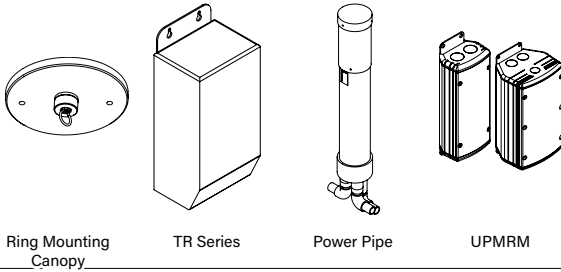
PREMIUM FINISHES



DATE:	PROJECT:	TYPE:
-------	----------	-------

ACCESSORIES (Configure separately)

Drivers (Configure separately)



SPECIFICATIONS

ELECTRICAL	WATTAGE	3W LED
	WIRING	Outdoor rated, 18Ga., 30V, 60°C rated and certified to UL 1838 standard. Anti-Siphon Valve (ASV™) prevents “wicking” through conductor insulation.
	REMOTE TRANSFORMER	For use with 12VAC remote transformer or magnetic transformers only. B-K Lighting cannot guarantee performance with third party manufacturers’ transformers.
PHYSICAL	MATERIALS	Furnished in copper-free aluminum (6061-T6), brass (360) or stainless steel (304).
	BODY	Unibody design is fully machined from solid billet and provides enclosed, water-proof wireway and integral heat sink for maximum component life. High temperature, silicone ‘O’ Ring provides water-tight seal.
	MOUNTING	Ring 3/4” O.D. black oxide stainless steel mounting ring allows for cable or hook mounting. Machined aluminum endcap in black anodize finish for maximum corrosion resistance provides water tight enclosure with fully potted antiwicking LED connectors. 5’ or 25’ 18Ga., 2 wire low voltage cable from fixture body to facilitate external wire splice. Fixture is suspended by 1/32” strand stainless steel safety cable with oval sleeve.
	CAP	Fully machined and accommodates one (1) lens or louver media.
	LENS	Shock-resistant, tempered glass lens is factory adhered to fixture cap and provides hermetically sealed optical compartment.
	LED	Integrated solid state system. High power, forward throw source complies with ANSI C78.377 binning requirements and exceeds ENERGY STAR® lumen maintenance requirements. LM-80 certified components. Integral non-dimming driver. Minimum 50,000 hour rated life at 70% of initial lumens (L70). LED® technology provides long life, significant energy reduction and exceptional thermal management.
	OPTICS	Interchangeable, color-coded OPTIKIT modules permit field changes to optical distribution.
	HARDWARE	Tamper-resistant, stainless steel hardware.
	FINISH	StarGuard, our 15-stage chromate-free process cleans and conversion coats aluminum components prior to application of Class ‘A’ TGIC polyester powder coating and is RoHS compliant. Powder coat or metal finish options available for brass material and metal finish option only for stainless steel material.
	WARRANTY	5-year limited warranty.
CERTIFICATION & LISTING	ITL tested to IESNA LM-79. UL Listed. Certified to CAN/CSA/ANSI Standards. RoHS compliant. Suitable for indoor or outdoor use and in wet locations. IP66 Rated. Made in the USA with sustainable processes.	



LAMP & DRIVER DATA (e70, e71, e72, e73)

DATE: _____ PROJECT: _____ TYPE: _____

DRIVER DATA	Input Volts	InRush Current	Operating Current	Operation Ambient Temperature
	12VAC/DC 50/60Hz	<250mA (non-dimmed)	500mA	-22°F-194°F (-30°C - 90°C)

LM79 DATA				L70 DATA		OPTICAL DATA		
BK No.	CCT (Typ.)	CRI (Typ.)	Input Watts (Typ.)	Minimum Rated Life (hrs.) 70% of initial lumens (L ₇₀)		Angle	CBCP	Delivered Lumens
e70	2700K	80	3	50,000		17°	1347	167
	2700K	80	3	50,000		21°	664	139
	2700K	80	3	50,000		28°	524	149
	2700K	~	3	50,000		17°x31°	613	151
e71	3000K	80	3	50,000		17°	1411	175
	3000K	80	3	50,000		21°	695	146
	3000K	80	3	50,000		28°	548	156
	3000K	~	3	50,000		17°x31°	642	158
e72	4000K	80	3	50,000		17°	1585	197
	4000K	80	3	50,000		21°	781	164
	4000K	80	3	50,000		28°	616	175
	4000K	~	3	50,000		17°x31°	721	178
e73	Amber (590nm)	~	3	50,000		~	~	~

OPTICS	
Optic	Angle
NSP - Narrow Spot	17°
SP - Spot	21°
MFL - Medium Flood	28°
ASY - Asymmetrical	17°x31°