

DATE: \_\_\_\_\_ PROJECT: \_\_\_\_\_ TYPE: \_\_\_\_\_

CATALOG NUMBER LOGIC:



*\*36" maximum stem length with Power Canopy option.*

*\*\*Designed for use with 12 VAC. LED transformer.*

**CATALOG NUMBER LOGIC**

Example: SN - 36 - B - MM - LED - e71 - SP - SAP - 12 - 11 - B

**MATERIAL**

Aluminum

**SERIES**

SN - Sign Star

**STEM LENGTH**

18" (Standard), 24", 30", 36", \*42", or \*48"

**STYLE**

F - 45° Radius

**FIXTURE**

MM - Mini-Micro

**SOURCE**

LED - with Integral Non-Dimming Driver\*\*

**LED TYPE**

e70 - 3W LED/2700K      e72 - 3W LED/4000K

e71 - 3W LED/3000K      e73 - 3W LED/Amber

**OPTICS**

NSP - Narrow Spot (17°)      MFL - Medium Flood (28°)

SP - Spot (21°)      ASY - Asymmetrical (17x31°)

**FINISH**

Standard Finishes (BZP, BZW, BLP, BLW, WHP, WHW, SAP, VER)

Premium Finish (ABP, AMG, AQW, BCM, BGE, BPP, CAP, CMG, CRI, CRM, HUG, MDS, NBP, OCP, RMG, SDS, SMG, TXF, WCP, WIR)

(Also available in RAL Finishes. See submittal SUB-1439-00)

**LENS TYPE**

12 - Soft Focus      13 - Rectilinear

**SHIELDING**

11 - Honeycomb Baffle

**CAP STYLE**

A - 45°

B - 90°

C - Flush

D - 45° Less Weephole (Interior use only)

E - 90° Less Weephole (Interior use only)

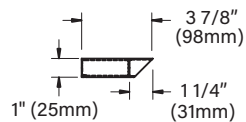
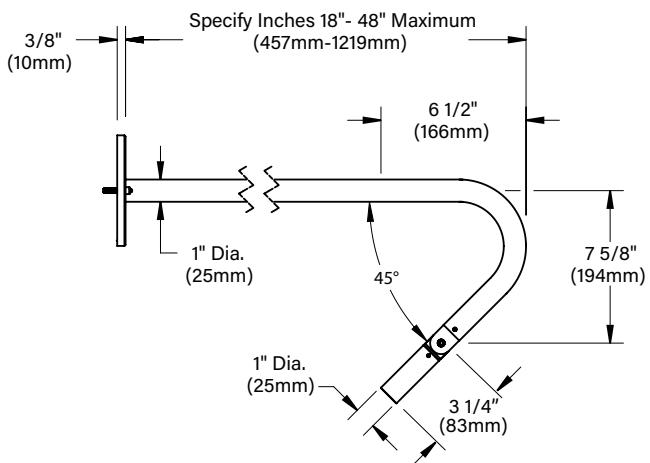
**OPTIONS**

PC-TRe20 - Power Canopy with TRe20 Electronic Transformer (105-300 VAC. 50/60 Hz. non-dimming)\*

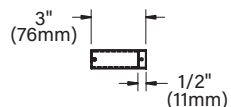
UPM - Universal Power Module

DATE: \_\_\_\_\_ PROJECT: \_\_\_\_\_ TYPE: \_\_\_\_\_

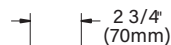
**CANOPY - SIDE VIEW**



"A/D" CAP

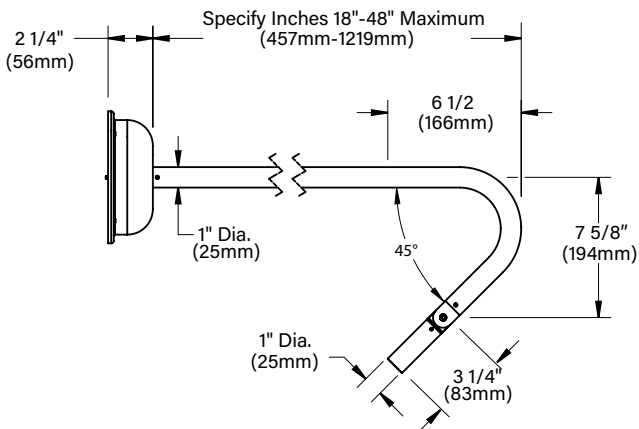


"B/E" CAP

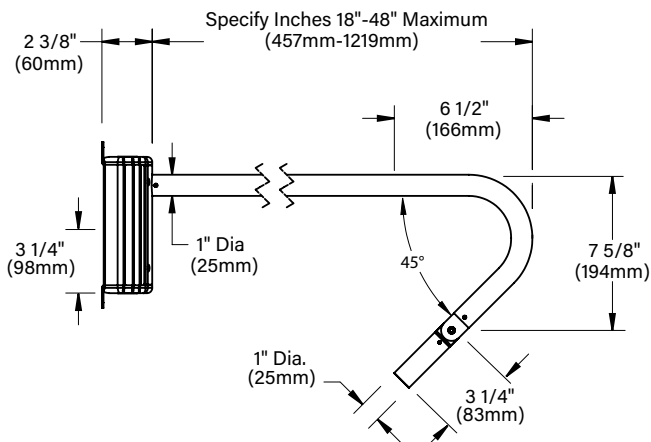


"C" CAP

**PC - SIDE VIEW**



**UPM - SIDE VIEW**



**STANDARD FINISHES**



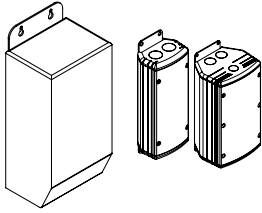
**PREMIUM FINISHES**



[Click Here](#) to view larger, full-color swatches of all available finishes on our website.

DATE: \_\_\_\_\_ PROJECT: \_\_\_\_\_ TYPE: \_\_\_\_\_

ACCESSORIES (Configure separately)



TR Series

UPMRM

SPECIFICATIONS

ELECTRICAL	<p>WATTAGE</p> <p>WIRING</p> <p>REMOTE TRANSFORMER</p>	<p>3W LED</p> <p>PVC coated, 18AWG, 150V, 60°C rated and certified to UL 1838 standard.</p> <p>For use with 12VAC remote transformer or magnetic transformers only. B-K Lighting cannot guarantee performance with third party manufacturers' transformers.</p>
PHYSICAL	<p>MATERIALS</p> <p>STYLE</p> <p>BODY</p> <p>KNUCKLE</p> <p>CAP</p> <p>STEM</p> <p>LENS</p> <p>LED</p> <p>OPTICS</p> <p>INSTALLATION</p> <p>HARDWARE</p> <p>FINISH</p> <p>WARRANTY</p> <p>CERTIFICATION &amp; LISTING</p>	<p>Furnished in copper-free aluminum (6061-T6).</p> <p>F style features single bend, 45° radius from fixture to stem.</p> <p>Unibody design is fully machined from solid billet and provides enclosed, water-proof wireway and integral heat sink for maximum component life. Integral knuckle for maximum mechanical strength. High temperature, silicone 'O' Ring provides water-tight seal.</p> <p>LOCK Knuckle is integral to the body and features an interior taper machined from solid billet and a second, reverse angle taper allowing full 180° vertical adjustment without the use of aim-limiting serrated teeth. High temperature, silicone 'O' Ring provides water-tight seal and compressive resistance to maintain fixture position. Design withstands 73 lbs. static load prior to movement for optical alignment with a ½" pipe thread for mounting.</p> <p>Fully machined and accommodates one (1) lens or louver media.</p> <p>Fully machined, 1" dia. with internal threads for maximum visual appeal. Available in configurable lengths to 48" maximum.</p> <p>Shock-resistant, tempered glass lens is factory adhered to fixture cap and provides hermetically sealed optical compartment.</p> <p>Integrated solid state system. High power, forward throw source complies with ANSI C78.377 binning requirements. Exceeds ENERGY STAR® lumen maintenance requirements. LM-80 certified components. Integral non-dimming driver. Minimum 50,000 hour rated life at 70% of initial lumens (L70). LED technology provides long life, significant energy reduction and exceptional thermal management.</p> <p>OPTIKIT modules are color-coded for easy reference.</p> <p>3-1/2" dia., machined canopy permits mounting to 3" octagonal junction box or 4" junction box with mud ring. Junction box installation must be designed to hold full fulcrum weight of fixture (junction box and gasket by others).</p> <p>Tamper-resistant, stainless steel hardware. LOCK aiming screw and canopy mounting screws are black oxide treated for additional corrosion resistance.</p> <p>StarGuard, our 15-stage chromate-free process cleans and conversion coats aluminum components prior to application of Class 'A' TGIC polyester powder coating and is RoHS compliant. Powder coat or metal finish options available for brass material and metal finish option only for stainless steel material.</p> <p>5-year limited warranty.</p> <p>UL tested to IESNA LM-79. UL listed. Certified to CAN/CSA/ANSI standards. RoHS compliant. Suitable for indoor or outdoor use, in wet locations, and for installation within 4' of the ground. IP66 Rated. Made in the USA with sustainable materials.</p>

