

DATE: _____ PROJECT: _____ TYPE: _____

CATALOG NUMBER LOGIC:



**36" maximum stem length with Power Canopy option.*

***Designed for use with 12 VAC. LED transformer. Requires magnetic low voltage dimmer.*

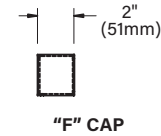
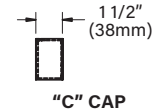
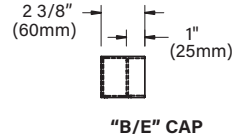
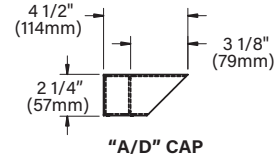
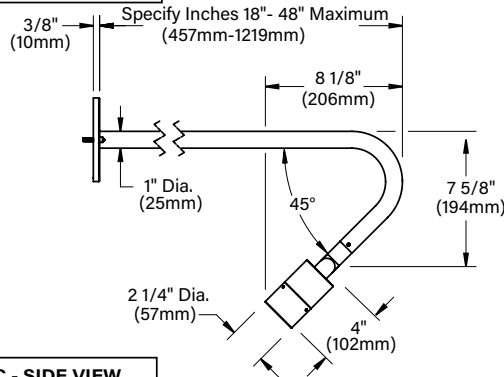
****Please see Adjust-e-Lume photometry to determine desired intensity.*

*****Accommodates up to 2 lens/shielding media.*

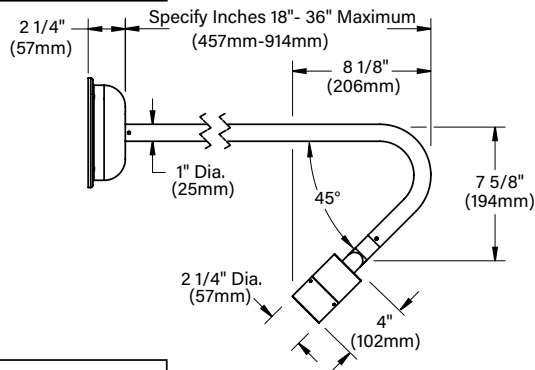
CATALOG NUMBER LOGIC		
Example: SN - 30 - F - LED -e65 - SP - A7 - WHW - 12 - 11 -A - PC-TRe20		
MATERIAL		
Aluminum		
SERIES		
SN - Sign Star		
STEM LENGTH		
18" (Standard), 24", 30", 36", *42", or *48"		
STYLE		
F - 45° Radius		
SOURCE		
LED - with Integral Dimming Driver**		
LED TYPE		
e64 - 7W LED/2700K	e66 - 7W LED/4000K	
e65 - 7W LED/3000K	e74 - 7W LED/Amber	
OPTICS		
SP - Spot (17°)	MFL - Medium Flood (25°)	FL - Flood (30°)
ADJUST-E-LUME OUTPUT INTENSITY***		
A9 (Standard), A8, A7, A6, A5, A4, A3, A2, A1		
FINISH		
Standard Finishes (BZP, BZW, BLP, BLW, WHP, WHW, SAP, VER)		
Premium Finish (ABP, AMG, AQW, BCM, BGE, BPP, CAP, CMG, CRI, CRM, HUG, MDS, NBP, OCP, RMG, SDS, SMG, TXF, WCP, WIR)		
(Also available in RAL Finishes. See submittal SUB-1439-00)		
LENS TYPE****		
12 - Soft Focus	13 - Rectilinear	
SHIELDING****		
11 - Honeycomb Baffle		
CAP STYLE		
A - 45°		
B - 90°		
C - Flush		
D - 45° Less Weephole (Interior use only)		
E - 90° Less Weephole (Interior use only)		
F - 90° with Flush Lens		
OPTIONS		
PC-TRe20 - Power Canopy with TRe20 Electronic Transformer (105-300 VAC. 50/60 Hz. non-dimming)*		
UPM - Universal Power Module		

DATE: _____ PROJECT: _____ TYPE: _____

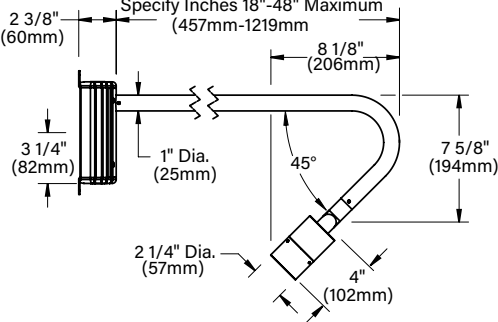
CANOPY - SIDE VIEW



PC - SIDE VIEW



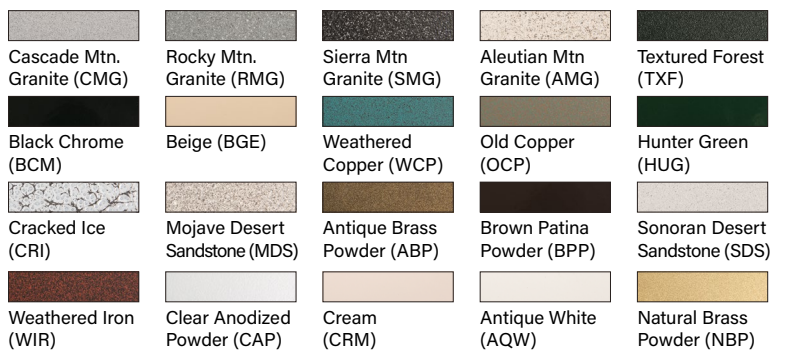
UPM - SIDE VIEW



STANDARD FINISHES



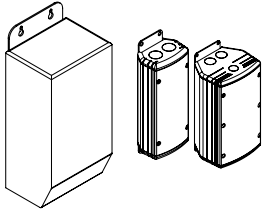
PREMIUM FINISHES



Click [Here](#) to view larger, full-color swatches of all available finishes on our website.

DATE: _____ PROJECT: _____ TYPE: _____

ACCESSORIES (Configure separately)



TR Series

UPMRM

SPECIFICATIONS

ELECTRICAL	WATTAGE	7W LED
	ADJUST-E-LUME	Integral electronics allows dynamic lumen response at the individual fixture. Indexed (100% to 25% nom.) lumen output. Maintains output at desired level or may be changed as conditions require. Specify factory preset output intensity.
	WIRING	PVC coated, 18AWG, 150V, 60°C rated and certified to UL 1838 standard.
	REMOTE TRANSFORMER	For use with 12VAC remote transformer or magnetic transformers only. B-K Lighting cannot guarantee performance with third party manufacturers' transformers.
PHYSICAL	MATERIALS	Furnished in copper-free aluminum (6061-T6).
	STYLE	F style features single bend for 45° transition from fixture to stem.
	BODY	Unibody design is fully machined from solid billet and provides enclosed, water-proof wireway and integral heat sink for maximum component life. Integral knuckle for maximum mechanical strength. High temperature, silicone 'O' Ring provides water-tight seal.
	KNUCKLE	LOCK Knuckle is integral to the body and features an interior taper machined from solid billet and a second, reverse angle taper allowing full 180° vertical adjustment without the use of aim-limiting serrated teeth. High temperature, silicone 'O' Ring provides water-tight seal and compressive resistance to maintain fixture position. Design withstands 73 lbs. static load prior to movement for optical alignment with a ½" pipe thread for mounting.
	CAP	Fully machined and accommodates one (1) lens or louver media.
	STEM	Fully machined, 1" dia. with internal threads for maximum visual appeal. Available in configurable lengths to 48" maximum.
	LENS	Shock-resistant, tempered glass lens is factory adhered to fixture cap and provides hermetically sealed optical compartment.
	LED	Integrated solid state system. High power, forward throw source complies with ANSI C78.377 binning requirements. Exceeds ENERGY STAR® lumen maintenance requirements. LM-80 certified components. Integral non-dimming driver. Minimum 50,000 hour rated life at 70% of initial lumens (L70). LED technology provides long life, significant energy reduction and exceptional thermal management.
	DIMMING	Line voltage dimmable via magnetic low voltage dimmer with dedicated neutral conductor. For purposes of dimming: Remote magnetic transformer with LED loads should be loaded to 25% of the transformer VA (watts) rated value.
	OPTICS	Interchangeable, color-coded OPTIKIT modules permit field changes to optical distribution.
	INSTALLATION	5" dia., machined canopy permits mounting to 4" octagonal junction box. Junction box installation must be designed to hold full fulcrum weight of fixture (junction box and gasket by others).
	HARDWARE	Tamper-resistant, stainless steel hardware. LOCK aiming screw and canopy mounting screws are black oxide treated for additional corrosion resistance.
	FINISH	StarGuard, our 15-stage chromate-free process cleans and conversion coats aluminum components prior to application of Class 'A' TGIC polyester powder coating and is RoHS compliant. Powder coat or metal finish options available for brass material and metal finish option only for stainless steel material.
WARRANTY	5-year limited warranty.	
CERTIFICATION & LISTING	UL tested to IESNA LM-79. UL listed. Certified to CAN/CSA/ANSI standards. RoHS compliant. Suitable for indoor or outdoor use, in wet locations, and for installation within 4' of the ground. IP66 Rated. Made in the USA with sustainable materials.	



