

DATE: \_\_\_\_\_ PROJECT: \_\_\_\_\_ TYPE: \_\_\_\_\_

CATALOG NUMBER LOGIC:



\*Requires Safety Cable (SC).

\*\*Accommodates up to 2 lens/shielding media

\*\*\*120V only.

**CATALOG NUMBER LOGIC**

Example: ST - 42 - F - DE - LED - TR - x99 - FL - VER - 12 - 11 - C - SC - INC - 120

**MATERIAL**

Aluminum

**SERIES**

ST - Twin Sign Star

**STEM LENGTH**

24" (Standard), 30", 36", \*42", or \*48"

**STYLE**

F - 45° Radius

**FIXTURE**

DE - Denali Series

**SOURCE**

LED - Chip on Board (COB) Technology

**HOUSING**

TR - Integral Driver

**LED TYPE**

|                        |                        |   |
|------------------------|------------------------|---|
| x98 - 13W/2700K/80CRI  | x101 - 13W/2700K/90CRI | ✓ |
| x99 - 13W/3000K/80CRI  | x102 - 13W/3000K/90CRI | ✓ |
| x103 - 13W/3500K/80CRI | x104 - 13W/3500K/90CRI | ✓ |
| x100 - 13W/4000K/80CRI | x121 - 13W/4000K/90CRI | ✓ |
| x122 - 21W/2700K/80CRI | x126 - 21W/2700K/90CRI | ✓ |
| x123 - 21W/3000K/80CRI | x127 - 21W/3000K/90CRI | ✓ |
| x124 - 21W/3500K/80CRI | x128 - 21W/3500K/90CRI | ✓ |
| x125 - 21W/4000K/80CRI | x129 - 21W/4000K/90CRI | ✓ |

**OPTICS**

SP - Spot (17°)    FL - Flood (45°)    WFL - Wide Flood (55°)

**FINISH (See page 2 for full-color swatches)**

Standard Finishes (BZP, BZW, BLP, BLW, WHP, WHW, SAP, VER)

Premium Finish (ABP, AMG, AQW, BCM, BGE, BPP, CAP, CMG, CRI, CRM, HUG, MDS, NBP, OCP, RMG, SDS, SMG, TXF, WCP, WIR)

Also available in RAL Finishes

**LENS TYPE\*\***

9 - Clear (Standard)

12 - Sot Focus    13 - Rectilinear

**SHIELDING\*\***

11 - Honeycomb Baffle

**CAP STYLE**

A - 45°

B - 90°

C - Flush

D - 45° Less Weephole (Downward Aiming Only)

E - 90° Less Weephole (Downward Aiming Only)



**TITLE 24, JA8 COMPLIANT**

# DENALI - TWIN SIGN STAR STYLE "F" LED (INTEGRAL)

IP66 RATED

|       |          |       |
|-------|----------|-------|
| DATE: | PROJECT: | TYPE: |
|-------|----------|-------|

CATALOG NUMBER LOGIC:



### OPTION

SC - Safety Cable w/ Mounting Canopy (standard with 42" and above)

### CONTROL

ELV - Dimming Driver (For use with Electronic Low Voltage Dimmer)\*\*\*

INC - Dimming Driver (For use with Incandescent Dimmer)\*\*\*

010 - 0-10V Dimming Driver (Dimming  $\leq$ 3-100%)

### INPUT VOLTAGE

120 - 120 VAC

277 - 277 VAC

\*Requires Safety Cable (SC).

\*\*Accommodates up to 2 lens/shielding media

\*\*\*120V only.



**TITLE 24, JA8 COMPLIANT**

**B-K LIGHTING**

**MADE IN THE USA**

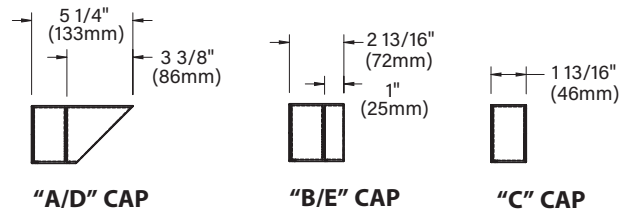
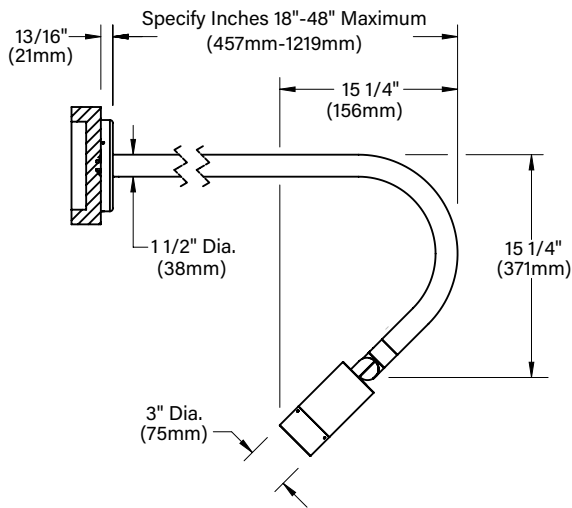
559.438.5800 | [INFO@BKLIGHTING.COM](mailto:INFO@BKLIGHTING.COM) | [BKLIGHTING.COM](http://BKLIGHTING.COM)

THIS DOCUMENT CONTAINS PROPRIETARY INFORMATION OF B-K LIGHTING, INC. AND ITS RECEIPT OR POSSESSION DOES NOT CONVEY ANY RIGHTS TO REPRODUCE, DISCLOSE ITS CONTENTS, OR TO MANUFACTURE, USE OR SELL ANYTHING IT MAY DESCRIBE. REPRODUCTION, DISCLOSURE OR USE WITHOUT SPECIFIC WRITTEN AUTHORIZATION OF B-K LIGHTING, INC. IS STRICTLY FORBIDDEN.

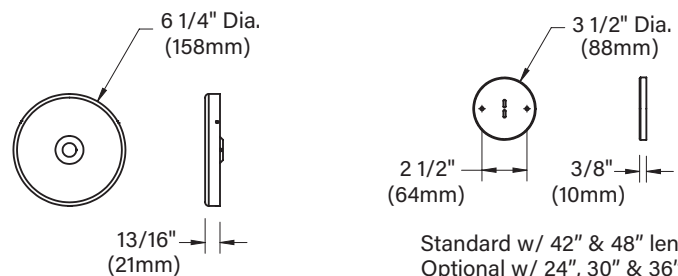
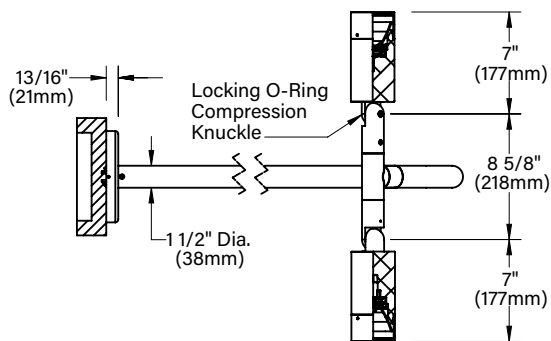
04/13/2022 SKU-1381 P2  
SUB-2835-00

DATE: \_\_\_\_\_ PROJECT: \_\_\_\_\_ TYPE: \_\_\_\_\_

**SIDE VIEW**



**BOTTOM VIEW**



**COVER DETAIL**

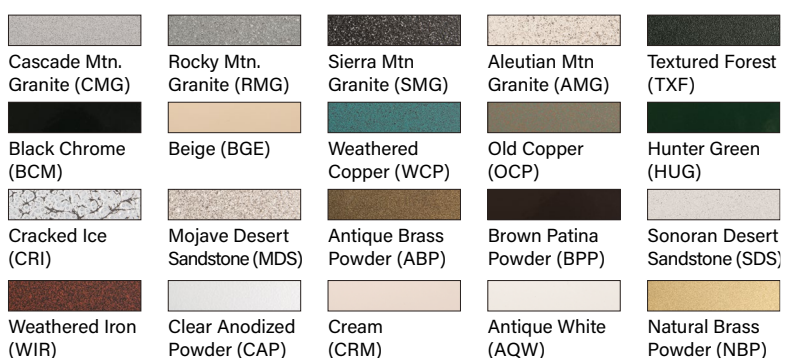
Standard w/ 42" & 48" lengths  
Optional w/ 24", 30" & 36" lengths

**SAFETY CABLE W/MOUNTING CANOPY**

**STANDARD FINISHES**



**PREMIUM FINISHES**



[Click Here](#) to view larger, full-color swatches of all available finishes on our website.

|       |          |       |
|-------|----------|-------|
| DATE: | PROJECT: | TYPE: |
|-------|----------|-------|

ACCESSORIES (Configure separately)

SPECIFICATIONS

|                         |  |  |
|-------------------------|--|--|
| ELECTRICAL              | WATTAGE  | 13W or 21W LED   |
|                         | LED  | COB technology and modular design with electrical quick disconnects allow for easy field upgrade and maintenance. LM-80 certified. Title 24, JA8 compliant options available. Minimum 50,000 hour rated life at 70% of initial lumens (L70).   |
|                         | COLOR MANAGEMENT   | COB technology delivers natural white light. Exact color point conformity exceeds ANSI C78.377 standard. Module exceeds 80 CRI (RA>80, R9.16). Color point uniformity 2 SDCM color control for 2700K-4000K CCT.  |
|                         | WIRING   | INC/ELV Wiring: 3 Wire, 18GA, Stranded, XLPE, 125°C, 300V, UL3265 rated wire<br>0-10 Wiring: 5 Wire, (3) 18GA and (2) 22GA, Stranded, XLPE, 125°C, 300V, UL3265 rated wire   |
|                         | DRIVER   | Incandescent/ELV Control Option Driver: Dimming driver for use with standard incandescent or electronic low voltage dimmers (10-100% range), 120VAC only. 0-10 Control Option Driver: Dimming driver for use with standard 0-10V dimmers (≤3-100% dim. range), 120-277VAC. With [1] 440mA (13W) / 700mA (21W). 50/60Hz. >0.9 Power Factor, (INC/ELV)10.0A/(0-10) <250mA in-rush current, .20%THD (nominal at 120VAC full load). Output over-voltage, overcurrent, and short circuit protection with auto recovery. Class 2 power supply; FCC47CFR Part 15 Compliant Class B (120VAC)/Class A (277VAC).   |
| PHYSICAL                | MATERIALS  | Furnished in copper-free aluminum (6061-T6).   |
|                         | STYLE  | F style provides single bend for 45° transition from fixture to stem.  |
|                         | BODY   | Unibody design with enclosed, water-proof wireway and integral heat sink is fully machined from solid billet. Anti-condensation and corrosion vent equalizes fixture pressure and eliminates potential for damage to internal components.  |
|                         | KNUCKLE  | Patented 360HD mounting system features a mechanical taper-lock, which allows a full 180° vertical adjustment without the use of aim-limiting, serrated teeth. High temperature, silicone 'O' Ring provides water-tight seal and compressive resistance to maintain fixture position. Design withstands 73 lb. static load prior to movement to ensure decades of optical alignment. ½" pipe thread for mounting. Biaxial source control additionally provides 360° horizontal rotation in addition to vertical adjustment. Aim-and-Lock technology allows precision adjustment without the redundant tightening and loosening of knuckle screw. |
|                         | CAP  | Fully machined and accommodates two (2) lens or louver media.  |
|                         | LENS   | Shock resistant, tempered, 1/8" thick soda lime glass lens is factory adhered to fixture cap and provides hermetically sealed optical compartment.   |
|                         | OPTICS   | Interchangeable optics permit changes in the field.  |
|                         | INSTALLATION   | 6 1/4" dia., machined canopy permits mounting to 4" octagonal junction box. Junction box installation must be designed to hold full fulcrum weight of fixture (junction box and gasket by others). Optional safety cable with mounting canopy maintains secondary support (standard with 42" and 48" lengths).   |
|                         | HARDWARE   | Tamper-resistant, stainless steel hardware. LOCK aiming screw is additionally black oxide treated for corrosion resistance.  |
|                         | FINISH   | StarGuard, our 15-stage chromate-free process, cleans and conversion coats aluminum components prior to application of Class 'A' TGIC polyester powder coating and is RoHS compliant.  |
| WARRANTY                | 5-year limited warranty.   |  |
| CERTIFICATION & LISTING | UL tested to IESNA LM-79. UL Listed. Certified to CAN/CSA/ANSI Standards. RoHS compliant components. Suitable for indoor or outdoor use, in wet locations. IP66 Rated. Made in the USA with sustainable processes. |  |



|                     |                        |  |
|---------------------|------------------------|--|
| <b>B-K LIGHTING</b> | <b>MADE IN THE USA</b> | 559.438.5800   <a href="mailto:INFO@BKLIGHTING.COM">INFO@BKLIGHTING.COM</a>   <a href="http://BKLIGHTING.COM">BKLIGHTING.COM</a> |
|---------------------|------------------------|--|

# LAMP & DRIVER DATA (page 1 of 2)

DATE: \_\_\_\_\_ PROJECT: \_\_\_\_\_ TYPE: \_\_\_\_\_

## DRIVER ELECTRICAL DATA

| Type     | AC Input Range | Frequency Hz | Power Factor At Full Load (Efficiency) | THD | InRush Current | Operating Current       | Operation Ambient Temperature | Dimmer Type | Dimmer Range |
|----------|----------------|--------------|--|-----|----------------|-------------------------|-------------------------------|-------------|--------------|
| Integral | 120VAC         | 50/60        | > 0.9                                  | 20% | 10A            | 440mA (13W)/700mA (21W) | -30° C ~ 70°C                 | TRIAC/ELV   | 1-100%       |
| Integral | 105-300VAC     | 50/60        | > 0.9                                  | 20% | <250mA         | 440mA (13W)/700mA (21W) | -30° C ~ 90°C                 | 0-10        | ≤3-100%      |

### LM79 DATA

### OPTICAL DATA

| BK No.      | CCT (Typ.)  | CRI (Typ.) | Input Watts (Typ.) | L70 Data      | Angle     | CBCP         | Del. Lumens  | Muliplier   |
|-------------|-------------|------------|--------------------|---------------|-----------|--------------|--------------|-------------|
| x98         | 2700        | 80         | 13                 | 50,000        | 17        | 6,480        | 829          | 0.92        |
| <b>x98</b>  | <b>2700</b> | <b>80</b>  | <b>13</b>          | <b>50,000</b> | <b>45</b> | <b>1,773</b> | <b>1,041</b> | <b>0.92</b> |
| x98         | 2700        | 80         | 13                 | 50,000        | 55        | 1,478        | 1,180        | 0.92        |
| x99         | 3000        | 80         | 13                 | 50,000        | 17        | 6,796        | 869          | 0.96        |
| <b>x99</b>  | <b>3000</b> | <b>80</b>  | <b>13</b>          | <b>50,000</b> | <b>45</b> | <b>1,860</b> | <b>1,091</b> | <b>0.96</b> |
| x99         | 3000        | 80         | 13                 | 50,000        | 55        | 1,550        | 1,237        | 0.96        |
| x103        | 3500        | 80         | 13                 | 50,000        | 17        | 6,685        | 855          | 0.95        |
| <b>x103</b> | <b>3500</b> | <b>80</b>  | <b>13</b>          | <b>50,000</b> | <b>45</b> | <b>1,829</b> | <b>1,074</b> | <b>0.95</b> |
| x103        | 3500        | 80         | 13                 | 50,000        | 55        | 1,525        | 1,217        | 0.95        |
| x100        | 4000        | 80         | 13                 | 50,000        | 17        | 7,059        | 903          | 1.00        |
| <b>x100</b> | <b>4000</b> | <b>80</b>  | <b>13</b>          | <b>50,000</b> | <b>45</b> | <b>1,931</b> | <b>1,134</b> | <b>1.00</b> |
| x100        | 4000        | 80         | 13                 | 50,000        | 55        | 1,610        | 1,285        | 1.00        |
| x101        | 2700        | 90         | 13                 | 50,000        | 17        | 4,486        | 574          | 0.69        |
| <b>x101</b> | <b>2700</b> | <b>90</b>  | <b>13</b>          | <b>50,000</b> | <b>45</b> | <b>1,228</b> | <b>720</b>   | <b>0.69</b> |
| x101        | 2700        | 90         | 13                 | 50,000        | 55        | 1,023        | 817          | 0.69        |
| x102        | 3000        | 90         | 13                 | 50,000        | 17        | 4,936        | 631          | 0.73        |
| <b>x102</b> | <b>3000</b> | <b>90</b>  | <b>13</b>          | <b>50,000</b> | <b>45</b> | <b>1,350</b> | <b>793</b>   | <b>0.73</b> |
| x102        | 3000        | 90         | 13                 | 50,000        | 55        | 1,126        | 899          | 0.73        |
| x104        | 3500        | 90         | 13                 | 50,000        | 17        | 4,775        | 611          | 0.71        |
| <b>x104</b> | <b>3500</b> | <b>90</b>  | <b>13</b>          | <b>50,000</b> | <b>45</b> | <b>1,307</b> | <b>767</b>   | <b>0.71</b> |
| x104        | 3500        | 90         | 13                 | 50,000        | 55        | 1,089        | 869          | 0.71        |
| x121        | 4000        | 90         | 13                 | 50,000        | 17        | 5,324        | 681          | 0.75        |
| <b>x121</b> | <b>4000</b> | <b>90</b>  | <b>13</b>          | <b>50,000</b> | <b>45</b> | <b>1,457</b> | <b>855</b>   | <b>0.75</b> |
| x121        | 4000        | 90         | 13                 | 50,000        | 55        | 1,214        | 969          | 0.75        |
| x122        | 2700        | 80         | 21                 | 50,000        | 17        | 9,040        | 1,208        | 0.87        |
| <b>x122</b> | <b>2700</b> | <b>80</b>  | <b>21</b>          | <b>50,000</b> | <b>45</b> | <b>2,437</b> | <b>1,359</b> | <b>0.87</b> |
| x122        | 2700        | 80         | 21                 | 50,000        | 55        | 1,876        | 1,416        | 0.87        |
| x123        | 3000        | 80         | 21                 | 50,000        | 17        | 10,030       | 1,341        | 0.96        |
| <b>x123</b> | <b>3000</b> | <b>80</b>  | <b>21</b>          | <b>50,000</b> | <b>45</b> | <b>2,704</b> | <b>1,508</b> | <b>0.96</b> |
| x123        | 3000        | 80         | 21                 | 50,000        | 55        | 2,082        | 1,571        | 0.96        |
| x124        | 3500        | 80         | 21                 | 50,000        | 17        | 8,496        | 1,136        | 0.81        |
| <b>x124</b> | <b>3500</b> | <b>80</b>  | <b>21</b>          | <b>50,000</b> | <b>45</b> | <b>2,290</b> | <b>1,277</b> | <b>0.81</b> |
| x124        | 3500        | 80         | 21                 | 50,000        | 55        | 1,763        | 1,331        | 0.81        |
| x125        | 4000        | 80         | 21                 | 50,000        | 17        | 10,431       | 1,394        | 1.00        |
| <b>x125</b> | <b>4000</b> | <b>80</b>  | <b>21</b>          | <b>50,000</b> | <b>45</b> | <b>2,812</b> | <b>1,568</b> | <b>1.00</b> |
| x125        | 4000        | 80         | 21                 | 50,000        | 55        | 2,165        | 1,634        | 1.00        |

**B-K LIGHTING**

MADE IN THE USA

559.438.5800 | INFO@BKLIGHTING.COM | BKLIGHTING.COM

THIS DOCUMENT CONTAINS PROPRIETARY INFORMATION OF B-K LIGHTING, INC. AND ITS RECEIPT OR POSSESSION DOES NOT CONVEY ANY RIGHTS TO REPRODUCE, DISCLOSE ITS CONTENTS, OR TO MANUFACTURE, USE OR SELL ANYTHING IT MAY DESCRIBE. REPRODUCTION, DISCLOSURE OR USE WITHOUT SPECIFIC WRITTEN AUTHORIZATION OF B-K LIGHTING, INC. IS STRICTLY FORBIDDEN.

# LAMP & DRIVER DATA (page 2 of 2)

DATE: \_\_\_\_\_ PROJECT: \_\_\_\_\_ TYPE: \_\_\_\_\_

| LM79 DATA   |             |            |                    | OPTICAL DATA  |           |              |              |             |
|-------------|-------------|------------|--------------------|---------------|-----------|--------------|--------------|-------------|
| BK No.      | CCT (Typ.)  | CRI (Typ.) | Input Watts (Typ.) | L70 Data      | Angle     | CBCP         | Del. Lumens  | Muliplier   |
| x126        | 2700        | 90         | 21                 | 50,000        | 17        | 6,120        | 818          | 0.68        |
| <b>x126</b> | <b>2700</b> | <b>90</b>  | <b>21</b>          | <b>50,000</b> | <b>45</b> | <b>1,650</b> | <b>920</b>   | <b>0.68</b> |
| x126        | 2700        | 90         | 21                 | 50,000        | 55        | 1,270        | 959          | 0.68        |
| x127        | 3000        | 90         | 21                 | 50,000        | 17        | 7,535        | 1,007        | 0.75        |
| <b>x127</b> | <b>3000</b> | <b>90</b>  | <b>21</b>          | <b>50,000</b> | <b>45</b> | <b>2,031</b> | <b>1,133</b> | <b>0.75</b> |
| x127        | 3000        | 90         | 21                 | 50,000        | 55        | 1,564        | 1,180        | 0.75        |
| x128        | 3500        | 90         | 21                 | 50,000        | 17        | 5,406        | 723          | 0.64        |
| <b>x128</b> | <b>3500</b> | <b>90</b>  | <b>21</b>          | <b>50,000</b> | <b>45</b> | <b>1,457</b> | <b>813</b>   | <b>0.64</b> |
| x128        | 3500        | 90         | 21                 | 50,000        | 55        | 1,225        | 847          | 0.64        |
| x129        | 4000        | 90         | 21                 | 50,000        | 17        | 8,148        | 1,089        | 0.78        |
| <b>x129</b> | <b>4000</b> | <b>90</b>  | <b>21</b>          | <b>50,000</b> | <b>45</b> | <b>2,196</b> | <b>1,225</b> | <b>0.78</b> |
| x129        | 4000        | 90         | 21                 | 50,000        | 55        | 1,691        | 1,277        | 0.78        |

| OPTICS          |         |
|-----------------|---------|
| Optic           | Angle   |
| Spot w/ 13 Accy | 16 x 50 |
| Spot            | 17°     |
| Flood           | 45°     |
| Wide Flood      | 55°     |