

DATE:	PROJECT:	TYPE:
-------	----------	-------

CATALOG NUMBER LOGIC:



\*Lamp details available on the next page.

\*\*For use in Back Box installation only.

**CATALOG NUMBER LOGIC**

Example: B - SQL - MR - 359 - BLW - D - TP

**MATERIAL**

(Blank) - Aluminum B - Brass S - Stainless Steel

**INSTALLATION**

(Blank) - Back Box

**SERIES**

SQL - Louvered Square Step Star

**SOURCE**

MR - MR16 Lamp

**LAMP TYPE**

0 - MR16 HALOGEN LAMP (Furnished by others)

MR16 LED (This choice requires lamp number selection)\*

**FINISH (See page 2 for full-color swatches)**

Standard Finishes (BZP, BZW, BLP, BLW, WHP, WHW, SAP, VER)

Premium Finish (ABP, AMG, AQW, BCM, BGE, BPP, CAP, CMG, CRI, CRM, HUG, MDS, NBP, OCP, RMG, SDS, SMG, TXF, WCP, WIR)

Also available in RAL Finishes

Brass Finishes (MAC, POL, MIT)

Stainless Steel Finishes (MAC, POL)

**LOUVER**

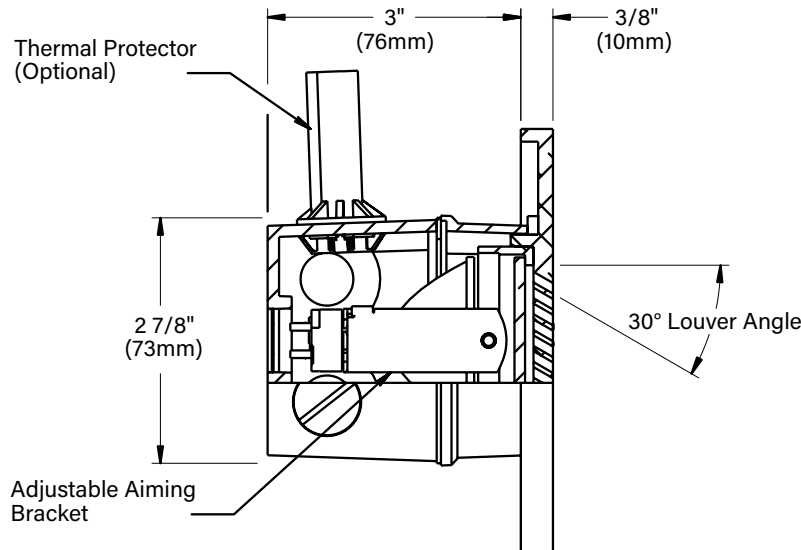
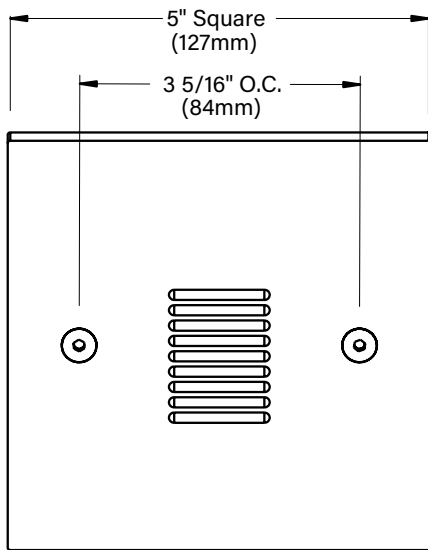
D - 30° Angle Rectangular Pattern

**OPTION**

TP - Thermal Protection (20W lamp max.)\*\*

# LOUVERED SQUARE STEP STAR (MR16 LAMP - JUNCTION BOX) IP65 RATED

DATE: \_\_\_\_\_ PROJECT: \_\_\_\_\_ TYPE: \_\_\_\_\_

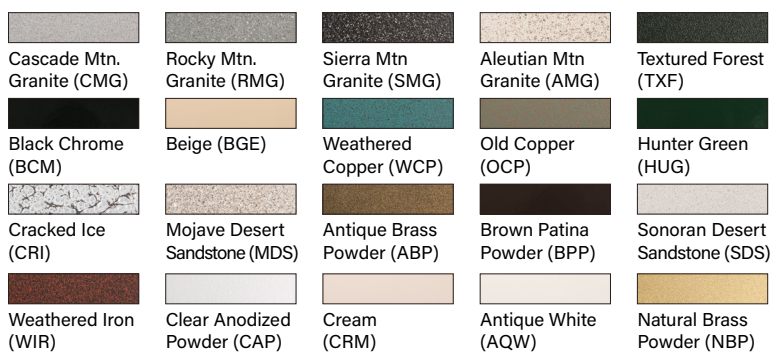


## STANDARD FINISHES



[Click Here](#) to view larger, full-color swatches of all available finishes on our website.

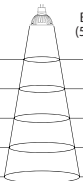


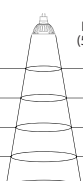


## PREMIUM FINISHES





By SORAA™

# MR16 LED LAMP

<p><b>B-K Lamp # 359</b>            Base: GU5.3 Bi-Pin            Input Voltage: 12V            CCT: 2700K            Beam: 10° Spot</p>	<p>Mfg. #: MR16-            SM16-07-10D-827-H1            Wattage: 7.5W            Lamp Efficacy: 77 (Lm/W)            Rated Life: 35,000 hrs</p>	<p>CBCP (cd): 8000            CRI: &gt;90            Power Factor: 0.92            Dimmable: Yes            Lumens: 575</p>	 <table border="1"> <thead> <tr> <th>Distance feet</th> <th>Beam Dia. (50% CBCP)</th> <th>Footcandles</th> </tr> </thead> <tbody> <tr><td>3'</td><td>0.5'</td><td>634</td></tr> <tr><td>6'</td><td>1.0'</td><td>160</td></tr> <tr><td>9'</td><td>1.6'</td><td>69</td></tr> <tr><td>12'</td><td>2.1'</td><td>40</td></tr> <tr><td>15'</td><td>2.6'</td><td>23</td></tr> </tbody> </table>	Distance feet	Beam Dia. (50% CBCP)	Footcandles	3'	0.5'	634	6'	1.0'	160	9'	1.6'	69	12'	2.1'	40	15'	2.6'	23
Distance feet	Beam Dia. (50% CBCP)	Footcandles																			
3'	0.5'	634																			
6'	1.0'	160																			
9'	1.6'	69																			
12'	2.1'	40																			
15'	2.6'	23																			
<p><b>B-K Lamp # 361</b>            Base: GU5.3 Bi-Pin            Input Voltage: 12V            CCT: 2700K            Beam: 25° Narrow Flood</p>	<p>Mfg. #: MR16-            SM16-07-25D-827-H1            Wattage: 7.5W            Lamp Efficacy: 80 (Lm/W)            Rated Life: 35,000 hrs</p>	<p>CBCP (cd): 3170            CRI: &gt;90            Power Factor: 0.92            Dimmable: Yes            Lumens: 600</p>	 <table border="1"> <thead> <tr> <th>Distance feet</th> <th>Beam Dia. (50% CBCP)</th> <th>Footcandles</th> </tr> </thead> <tbody> <tr><td>3'</td><td>1.3'</td><td>251</td></tr> <tr><td>6'</td><td>2.7'</td><td>63</td></tr> <tr><td>9'</td><td>4.0'</td><td>27</td></tr> <tr><td>12'</td><td>5.3'</td><td>16</td></tr> <tr><td>15'</td><td>6.7'</td><td>9</td></tr> </tbody> </table>	Distance feet	Beam Dia. (50% CBCP)	Footcandles	3'	1.3'	251	6'	2.7'	63	9'	4.0'	27	12'	5.3'	16	15'	6.7'	9
Distance feet	Beam Dia. (50% CBCP)	Footcandles																			
3'	1.3'	251																			
6'	2.7'	63																			
9'	4.0'	27																			
12'	5.3'	16																			
15'	6.7'	9																			
<p><b>B-K Lamp # 362</b>            Base: GU5.3 Bi-Pin            Input Voltage: 12V            CCT: 2700K            Beam: 36° Flood</p>	<p>Mfg. #: MR16-            SM16-07-36D-827-H1            Wattage: 7.5W            Lamp Efficacy: 80 (Lm/W)            Rated Life: 35,000 hrs</p>	<p>CBCP (cd): 1550            CRI: &gt;90            Power Factor: 0.92            Dimmable: Yes            Lumens: 600</p>	 <table border="1"> <thead> <tr> <th>Distance feet</th> <th>Beam Dia. (50% CBCP)</th> <th>Footcandles</th> </tr> </thead> <tbody> <tr><td>3'</td><td>1.9'</td><td>119</td></tr> <tr><td>6'</td><td>3.9'</td><td>30</td></tr> <tr><td>9'</td><td>5.8'</td><td>13</td></tr> <tr><td>12'</td><td>7.8'</td><td>7</td></tr> <tr><td>15'</td><td>9.7'</td><td>4</td></tr> </tbody> </table>	Distance feet	Beam Dia. (50% CBCP)	Footcandles	3'	1.9'	119	6'	3.9'	30	9'	5.8'	13	12'	7.8'	7	15'	9.7'	4
Distance feet	Beam Dia. (50% CBCP)	Footcandles																			
3'	1.9'	119																			
6'	3.9'	30																			
9'	5.8'	13																			
12'	7.8'	7																			
15'	9.7'	4																			
<p><b>B-K Lamp # 363</b>            Base: GU5.3 Bi-Pin            Input Voltage: 12V            CCT: 3000K            Beam: 10° Spot</p>	<p>Mfg. #: MR16-            SM16-07-10D-830-H1            Wattage: 7.5W            Lamp Efficacy: 80 (Lm/W)            Rated Life: 35,000 hrs</p>	<p>CBCP (cd): 8400            CRI: &gt;90            Power Factor: 0.92            Dimmable: Yes            Lumens: 600</p>	 <table border="1"> <thead> <tr> <th>Distance feet</th> <th>Beam Dia. (50% CBCP)</th> <th>Footcandles</th> </tr> </thead> <tbody> <tr><td>3'</td><td>0.5'</td><td>666</td></tr> <tr><td>6'</td><td>1.0'</td><td>168</td></tr> <tr><td>9'</td><td>1.6'</td><td>72</td></tr> <tr><td>12'</td><td>2.1'</td><td>42</td></tr> <tr><td>15'</td><td>2.6'</td><td>24</td></tr> </tbody> </table>	Distance feet	Beam Dia. (50% CBCP)	Footcandles	3'	0.5'	666	6'	1.0'	168	9'	1.6'	72	12'	2.1'	42	15'	2.6'	24
Distance feet	Beam Dia. (50% CBCP)	Footcandles																			
3'	0.5'	666																			
6'	1.0'	168																			
9'	1.6'	72																			
12'	2.1'	42																			
15'	2.6'	24																			
<p><b>B-K Lamp # 365</b>            Base: GU5.3 Bi-Pin            Input Voltage: 12V            CCT: 3000K            Beam: 25° Narrow Flood</p>	<p>Mfg. #: MR16-            SM16-07-25D-830-H1            Wattage: 7.5W            Lamp Efficacy: 84 (Lm/W)            Rated Life: 35,000 hrs</p>	<p>CBCP (cd): 3300            CRI: &gt;90            Power Factor: 0.92            Dimmable: Yes            Lumens: 630</p>	 <table border="1"> <thead> <tr> <th>Distance feet</th> <th>Beam Dia. (50% CBCP)</th> <th>Footcandles</th> </tr> </thead> <tbody> <tr><td>3'</td><td>1.3'</td><td>266</td></tr> <tr><td>6'</td><td>2.7'</td><td>67</td></tr> <tr><td>9'</td><td>4.0'</td><td>29</td></tr> <tr><td>12'</td><td>5.3'</td><td>17</td></tr> <tr><td>15'</td><td>6.7'</td><td>10</td></tr> </tbody> </table>	Distance feet	Beam Dia. (50% CBCP)	Footcandles	3'	1.3'	266	6'	2.7'	67	9'	4.0'	29	12'	5.3'	17	15'	6.7'	10
Distance feet	Beam Dia. (50% CBCP)	Footcandles																			
3'	1.3'	266																			
6'	2.7'	67																			
9'	4.0'	29																			
12'	5.3'	17																			
15'	6.7'	10																			
<p><b>B-K Lamp # 366</b>            Base: GU5.3 Bi-Pin            Input Voltage: 12V            CCT: 3000K            Beam: 36° Flood</p>	<p>Mfg. #: MR16-            SM16-07-36D-830-H1            Wattage: 7.5W            Lamp Efficacy: 84 (Lm/W)            Rated Life: 35,000 hrs</p>	<p>CBCP (cd): 1650            CRI: &gt;90            Power Factor: 0.92            Dimmable: Yes            Lumens: 630</p>	 <table border="1"> <thead> <tr> <th>Distance feet</th> <th>Beam Dia. (50% CBCP)</th> <th>Footcandles</th> </tr> </thead> <tbody> <tr><td>3'</td><td>1.9'</td><td>125</td></tr> <tr><td>6'</td><td>3.9'</td><td>32</td></tr> <tr><td>9'</td><td>5.8'</td><td>14</td></tr> <tr><td>12'</td><td>7.8'</td><td>8</td></tr> <tr><td>15'</td><td>9.7'</td><td>5</td></tr> </tbody> </table>	Distance feet	Beam Dia. (50% CBCP)	Footcandles	3'	1.9'	125	6'	3.9'	32	9'	5.8'	14	12'	7.8'	8	15'	9.7'	5
Distance feet	Beam Dia. (50% CBCP)	Footcandles																			
3'	1.9'	125																			
6'	3.9'	32																			
9'	5.8'	14																			
12'	7.8'	8																			
15'	9.7'	5																			

**B-K LIGHTING**

MADE IN THE USA

559.438.5800 | INFO@BKLIGHTING.COM | BKLIGHTING.COM

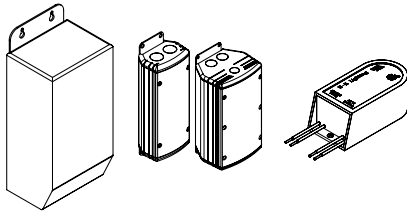
THIS DOCUMENT CONTAINS PROPRIETARY INFORMATION OF B-K LIGHTING, INC. AND ITS RECEIPT OR POSSESSION DOES NOT CONVEY ANY RIGHTS TO REPRODUCE, DISCLOSE ITS CONTENTS, OR TO MANUFACTURE, USE OR SELL ANYTHING IT MAY DESCRIBE. REPRODUCTION, DISCLOSURE OR USE WITHOUT SPECIFIC WRITTEN AUTHORIZATION OF B-K LIGHTING, INC. IS STRICTLY FORBIDDEN.

# LOUVERED SQUARE STEP STAR (MR16 LAMP - JUNCTION BOX)

IP65 RATED

DATE:	PROJECT:	TYPE:
-------	----------	-------

ACCESSORIES (Configure separately)



TR Series

UPMRM

TRSS-75

## SPECIFICATIONS

ELECTRICAL	<p>WATTAGE WIRING TRANSFORMER</p>	<p>7.5W Teflon® coated wire, 18AWG, 600V, 250° C rated and certified to UL 1659 standard. For use with 12VAC remote transformer.</p>
PHYSICAL	<p>MATERIALS BACKBOX FACEPLATE LAMP INSTALLATION LENS LOUVERS &amp; AIMING SOCKET FINISH WARRANTY CERTIFICATION &amp; LISTING</p>	<p>Furnished in copper-free aluminum (6061-T6), brass (360) or stainless steel (304). Rectangular, 4-5/8" x 2-7/8" deep, cast aluminum construction. Front access for wire connection and inspection. Provided with five (5) 1/2" NPS tapped holes and two (2) plugs. Suitable for concrete pour. Machined from solid, copper-free aluminum. Also available in solid, machined brass and solid, machined stainless steel. Countersunk holes provide for flush hardware mounting with two (2) tamper-resistant, black oxide, stainless steel mounting screws and 1/8" thick HT-805A silicone foam gasket with acrylic adhesive for water-tight seal. For use with bi-pin MR16 lamps. Not for use with IR technology lamps. Halogen sourced by others. For use with 50W maximum lamp when installed into non-combustible materials or with 20W maximum lamp into combustible materials (Type Non IC) (requires optional thermal protection). Heat treated rectilinear lens provides wide lateral distribution and long forward throw. Louver pattern is machined into faceplate to prevent direct view to the lamp at 0.° 30° optical cutoff for mounting heights well below typical visual glare angles. Adjustable lamp bracket provides up to 24° vertical aiming, captive thumb screw and quick release bracket to maintain optical alignment during re-lamping. Specification grade, ceramic body, miniature bi-pin quartz lamp holder. GU5.3 base. Nickel alloy contacts and heat resistant, spring loaded, stainless steel lamp retaining clips. StarGuard, our 15-stage chromate-free process cleans and conversion coats aluminum components prior to application of Class 'A' TGIC polyester powder coating and is RoHS compliant. Powder coat or metal finish options available for brass material and metal finish option only for stainless steel material. 5-year limited warranty. ITL tested to IESNA LM-79. UL Listed. Certified to CAN/CSA/ANSI Standards. RoHS compliant. Suitable for indoor or outdoor use, in wet locations, and for installation in combustible materials (Type Non-IC) and within 4' of the ground. IP65 Rated. Made in the USA with sustainable processes.</p>



**B-K LIGHTING**

**MADE IN THE USA**

559.438.5800 | INFO@BKLIGHTING.COM | BKLIGHTING.COM