

DATE:

PROJECT:

TYPE:

CATALOG NUMBER LOGIC:



**CATALOG NUMBER LOGIC**

Example: B - CD - SSL - GU - 0 - SAP - C

**MATERIAL**

(Blank) - Aluminum B - Brass S - Stainless Steel

**INSTALLATION**

CD - Core Drill

**SERIES**

SSL - Round Louvered Step Star

**SOURCE**

GU - GU10 Line Voltage MR16

**LAMP TYPE**

0 - Furnished by Others

**FINISH (See page 2 for full-color swatches)**

Standard Finishes (BZP, BZW, BLP, BLW, WHP, WHW, SAP, VER)

Premium Finish (ABP, AMG, AQW, BCM, BGE, BPP, CAP, CMG, CRI, CRM, HUG, MDS, NBP, OCP, RMG, SDS, SMG, TXF, WCP, WIR)

Also available in RAL Finishes

Brass Finishes (MAC, POL, MIT)

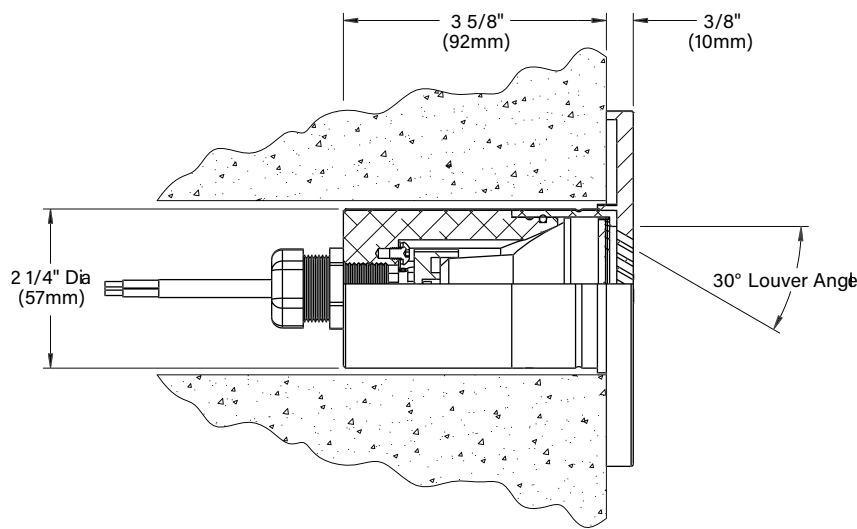
Stainless Steel Finishes (MAC, POL)

**LOUVER**

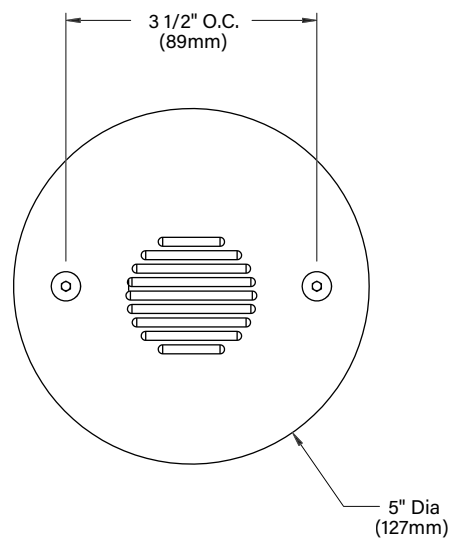
C - 30° Angle, Round Pattern

DATE: \_\_\_\_\_ PROJECT: \_\_\_\_\_ TYPE: \_\_\_\_\_

**SIDE VIEW**



**FACEPLATE DETAIL**

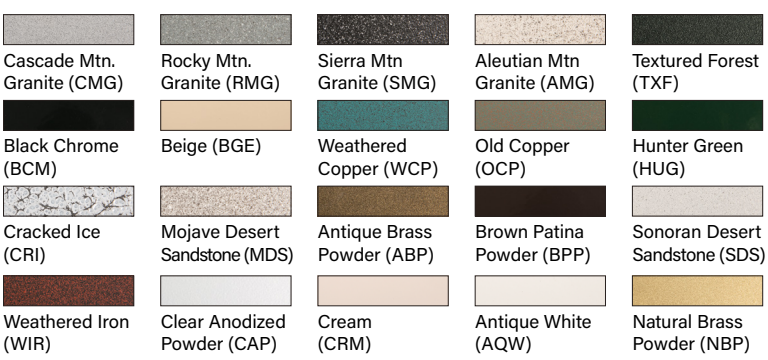


**STANDARD FINISHES**



[Click Here](#) to view larger, full-color swatches of all available finishes on our website.

**PREMIUM FINISHES**



# ROUND LOUVERED STEP STAR (GU10 - CORE DRILL)

IP65 RATED

DATE:	PROJECT:	TYPE:
-------	----------	-------

ACCESSORIES (Configure separately)

## SPECIFICATIONS

ELECTRICAL	WIRING	Teflon® coated, 18AWG, 600V, 250° C rated and certified to UL 1659 standard. Anti-Siphon Valve (ASV) prevents “wicking” through conductor insulation.
PHYSICAL	<p>MATERIALS</p> <p>CORE DRILL</p> <p>FACEPLATE</p> <p>LAMP</p> <p>INSTALLATION</p> <p>LENS</p> <p>SOCKET</p> <p>LOUVERS &amp; AIMING</p> <p>FINISH</p> <p>WARRANTY</p> <p>CERTIFICATION &amp; LISTING</p>	<p>Furnished in copper-free aluminum (6061-T6), brass (360), or stainless steel (304).</p> <p>Allows for mounting into existing structures that will not easily accept a standard box. Machined from solid, copper-free aluminum. Weather-tight cable connector with 5/0, 12Ga., 3 wire line voltage cable. 2-1/2" dia. hole required for slip fit.</p> <p>Machined from solid, copper-free aluminum. Also available in solid, machined brass or stainless steel. Countersunk holes allow for flush hardware mounting.</p> <p>For use with bi-pin GU10 line voltage lamps.</p> <p>For use with 50W maximum lamp when installed into non-combustible materials.</p> <p>Heat-treated rectilinear lens provides wide lateral distribution and long forward throw.</p> <p>Specification grade, ceramic body lamp holder. GU10 base. Nickel alloy contacts and heat-resistant, spring-loaded, stainless steel lamp retaining clips.</p> <p>Louver pattern is machined into faceplate to prevent direct view to the lamp at 0°-30° optical cutoff for mounting heights well below typical visual glare angles.</p> <p>StarGuard, our 15-stage chromate-free process cleans and conversion coats aluminum components prior to application of Class 'A' TGIC polyester powder coating and is RoHS compliant. Brass components are available in powder coat or handcrafted metal finish.</p> <p>5-year limited warranty.</p> <p>UL Listed. Certified to CAN/CSA/ANSI standards. Suitable for outdoor use and in wet locations. RoHS compliant. IP65 Rated. Made in the USA with sustainable processes.</p>



**B-K LIGHTING**

**MADE IN THE USA**

559.438.5800 | INFO@BKLIGHTING.COM | BKLIGHTING.COM