

DATE: _____ PROJECT: _____ TYPE: _____

CATALOG NUMBER LOGIC:



**Requires magnetic low voltage dimmer.*

***Please see Adjust-e-Lume photometry to determine desired intensity.*

CATALOG NUMBER LOGIC

Example: B - CD - SQL - LED - e65 - A8 - BLW - D

MATERIAL

(Blank) - Aluminum B - Brass S - Stainless Steel

INSTALLATION

CD - Core Drill

SERIES

SQL - Louvered Square Step Star

SOURCE

LED - with Integral Dimming Driver (25W min. load when dimmed)*

LED TYPE

e64 - 7W LED/2700K e66 - 7W LED/4000K
 e65 - 7W LED/3000K e74 - 7W LED/Amber

OPTICS

NSP - Narrow Spot (13°) SP - Spot (16°)
 MFL - Medium Flood (23°) WFL - Wide Flood (31°)

ADJUST-E-LUME OUTPUT INTENSITY**

A9 (Standard), A8, A7, A6, A5, A4, A3, A2, A1

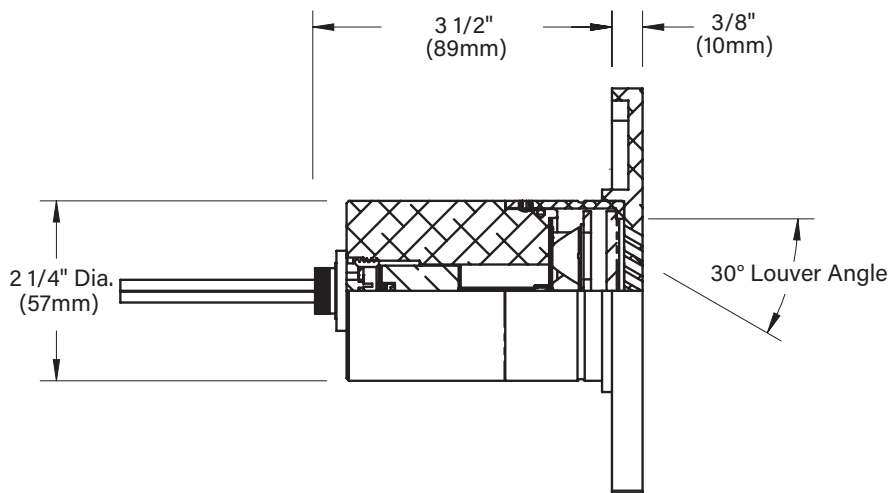
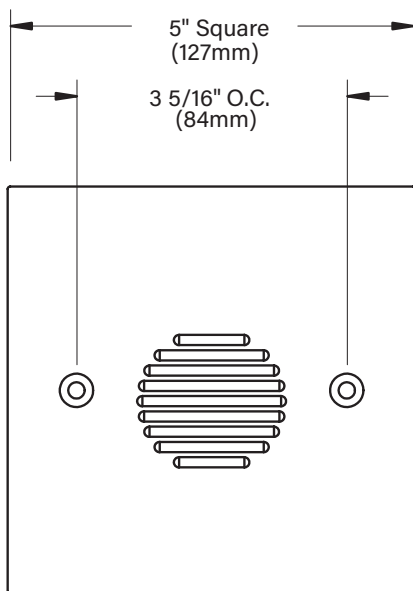
FINISH (See page 2 for full-color swatches)

Standard Finishes (BZP, BZW, BLP, BLW, WHP, WHW, SAP, VER)
 Premium Finish (ABP, AMG, AQW, BCM, BGE, BPP, CAP, CMG, CRI, CRM, HUG, MDS, NBP, OCP, RMG, SDS, SMG, TXF, WCP, WIR)
 Also available in RAL Finishes
 Brass Finishes (MAC, POL, MIT)
 Stainless Steel Finishes (MAC, POL)

LOUVER

D - 30° Angle Rectangular Pattern

DATE: _____ PROJECT: _____ TYPE: _____



STANDARD FINISHES



[Click Here](#) to view larger, full-color swatches of all available finishes on our website.

PREMIUM FINISHES

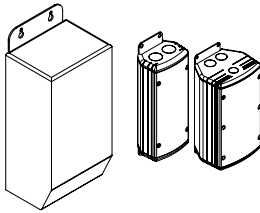


LOUVERED SQUARE STEP STAR LED (CORE DRILL)

IP65 RATED

DATE:	PROJECT:	TYPE:
-------	----------	-------

ACCESSORIES (Configure separately)



TR Series

UPMRM

SPECIFICATIONS

ELECTRICAL	WATTAGE	7W LED
	ADJUST-E-LUME	Integral electronics allows dynamic lumen response at the individual fixture. Indexed (100% to 25% nom.) lumen output. Maintains output at desired level or may be changed as conditions require. Specify factory preset output intensity.
	WIRING	Teflon® coated, 18AWG, 600V, 250° C rated and certified to UL 1659 standard. Anti-Siphon Valve (ASV™) prevents “wicking” through conductor insulation.
	REMOTE TRANSFORMER	For use with 12VAC remote transformer or magnetic transformers only. B-K Lighting cannot guarantee performance with third party manufacturers’ transformers.
PHYSICAL	MATERIALS	Furnished in copper-free aluminum (6061-T6), brass (360) or stainless steel (304).
	CORE DRILL	Allows for mounting into existing structures that will not easily accept a standard box. 2-1/2” dia. hole required for slip fit.
	BODY	Unibody design is fully machined from solid billet and provides enclosed, water-proof wireway and integral heat sink for maximum component life. High temperature, silicone ‘O’ Ring provides water-tight seal. Provided with hardcoat (Type III) black anodize finish for maximum corrosion resistance. Weather-tight cable connector with 5’0”, 18Ga., 2 wire low voltage cable.
	FACEPLATE	Fully machined from solid billet. Countersunk holes provide for flush hardware mounting (by others).
	LOUVERS & CUTOFF	Louver pattern is machined into faceplate to prevent direct view to the source at nadir. 30° optical cutoff for mounting heights well below typical visual glare angles.
	LENS	Shock-resistant, tempered glass lens is factory adhered to faceplate and provides hermetically sealed optical compartment.
	LED	Integrated solid state system and modular design with electrical quick disconnects is scalable for field upgrade and maintenance. High power, forward throw source complies with ANSI C78.377 binning requirements and exceeds ENERGY STAR® lumen maintenance requirements. LM-80 certified components. Integral, constant current driver. 12VAC/VDC input. 50/60Hz. Proprietary input control scheme achieves power factor correction and eliminates inrush current. Output, overvoltage, open-circuit, and short circuit protected. Inrush current limited to <1A (non-dimming). Conforms to Safety Std. C22.2 No. 250.13-12.
	DIMMING	Line voltage dimmable via magnetic low voltage dimmer with dedicated neutral conductor. For purposes of dimming: Remote magnetic transformer with LED loads should be loaded to 25% of the transformer VA (watts) rated value.
	OPTICS	Rectilinear design provides wide lateral distribution and long forward throw.
	HARDWARE	Tamper-resistant, stainless steel hardware. Mounting hardware by others.
	FINISH	StarGuard, our 15-stage chromate-free process cleans and conversion coats aluminum components prior to application of Class ‘A’ TGIC polyester powder coating and is RoHS compliant. Powder coat or metal finish options available for brass material and metal finish option only for stainless steel material.
	WARRANTY	5-year limited warranty.
	CERTIFICATION & LISTING	ITL tested to IESNA LM-79. UL Listed. Certified to CAN/CSA/ANSI Standards. RoHS compliant. Suitable for indoor or outdoor use, in wet locations, and for installation in combustible materials (Type Non-IC) and within 4’ of the ground. IP65 Rated. Made in the USA with sustainable processes.



B-K LIGHTING

MADE IN THE USA

559.438.5800 | INFO@BKLIGHTING.COM | BKLIGHTING.COM

LAMP & DRIVER DATA (e64, e65, e66, e74)

DATE: _____ PROJECT: _____ TYPE: _____

DRIVER DATA	Input Volts	InRush Current	Operating	Dimmable	Operation Ambient Temperature
	12VAC/DC 50/60Hz	<250mA (non-dimmed)	700mA	Magnetic Low Voltage Dimmer	-10°F-130°F (-12°C-54°C)

LM79 DATA				L70 DATA	OPTICAL DATA	
BK No.	CCT (Typ.)	CRI (Typ.)	Input Watts (Typ.)	Minimum Rated Life (hrs.) 70% of initial lumens (L ₇₀)	Cutoff Angle	Delivered Lumens
e64	2700K	80	7	50,000	68° (Short)	27
	2700K	80	7	50,000	90° (Long)	79
e65	3000K	80	7	50,000	68° (Short)	27
	3000K	80	7	50,000	90° (Long)	81
e66	4000K	80	7	50,000	68° (Short)	31
	4000K	80	7	50,000	90° (Long)	91
e74	Amber (590nm)	~	7	50,000	~	~

B-K LIGHTING

MADE IN THE USA

559.438.5800 | INFO@BKLIGHTING.COM | BKLIGHTING.COM

THIS DOCUMENT CONTAINS PROPRIETARY INFORMATION OF B-K LIGHTING, INC. AND ITS RECEIPT OR POSSESSION DOES NOT CONVEY ANY RIGHTS TO REPRODUCE, DISCLOSE ITS CONTENTS, OR TO MANUFACTURE, USE OR SELL ANYTHING IT MAY DESCRIBE. REPRODUCTION, DISCLOSURE OR USE WITHOUT SPECIFIC WRITTEN AUTHORIZATION OF B-K LIGHTING, INC. IS STRICTLY FORBIDDEN.