

DATE:	PROJECT:	TYPE:
-------	----------	-------

CATALOG NUMBER LOGIC:



**Requires magnetic low voltage dimmer.*

***Please see Adjust-e-Lume photometry to determine desired intensity.*

CATALOG NUMBER LOGIC

Example: B - SS - LED - e100 - A9 - SAP - A

MATERIAL

(Blank) - Aluminum B - Brass

INSTALLATION

(Blank) - Back Box

SERIES

SS - Step Star

SOURCE

LED - with Integral Dimming Driver (25W min. load when dimmed)*

LED TYPE

e100 - 5W LED/2700K e102 - 5W LED/4000K

e101 - 5W LED/3000K e103 - 5W LED/Amber

ADJUST-E-LUME OUTPUT INTENSITY**

A9 (Standard), A8, A7, A6, A5, A4, A3, A2, A1

FINISH (See page 2 for full-color swatches)

Standard Finishes (BZP, BZW, BLP, BLW, WHP, WHW, SAP, VER)

Premium Finish (ABP, AMG, AQW, BCM, BGE, BPP, CAP, CMG, CRI, CRM, HUG, MDS, NBP, OCP, RMG, SDS, SMG, TXF, WCP, WIR)

Also available in RAL Finishes

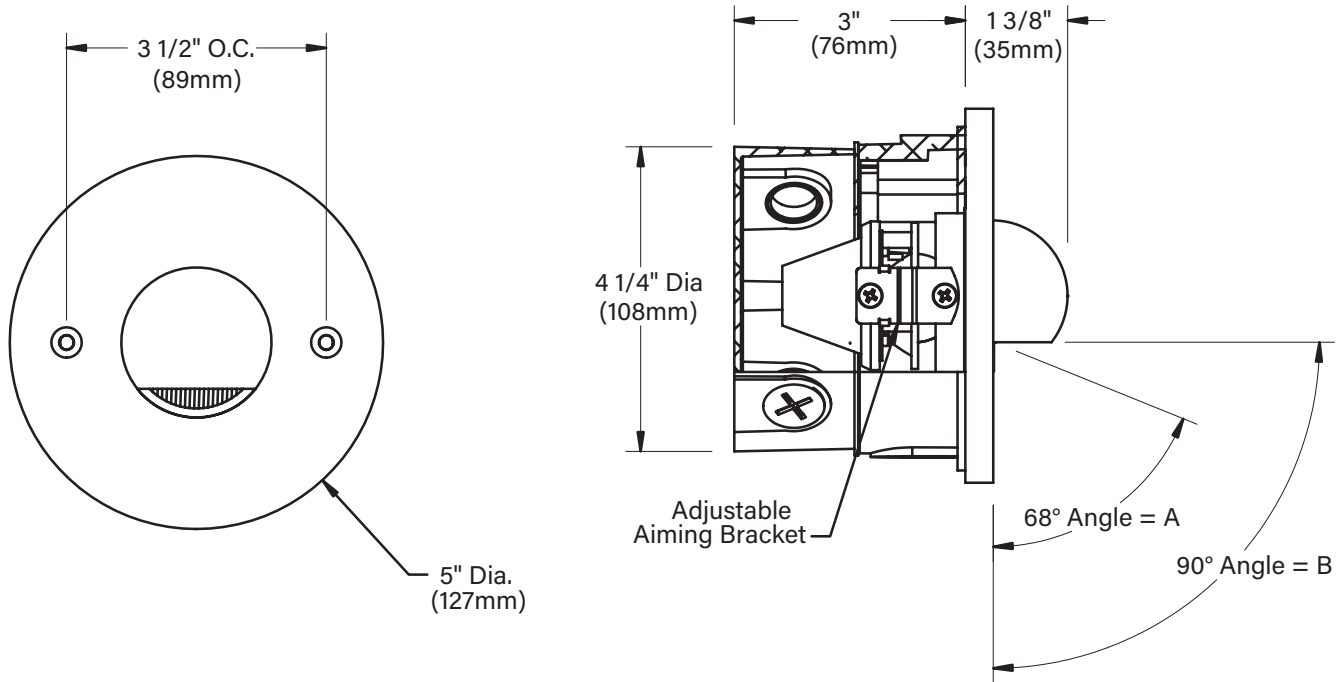
Brass Finishes (MAC, POL, MIT)

CUTOFF

A - 68° Cutoff (Short)

B - 90° Cutoff (Long)

DATE: _____ PROJECT: _____ TYPE: _____



STANDARD FINISHES



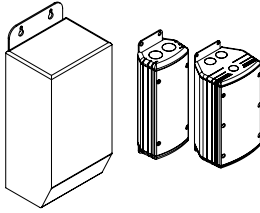
[Click Here](#) to view larger, full-color swatches of all available finishes on our website.

PREMIUM FINISHES



DATE:	PROJECT:	TYPE:
-------	----------	-------

ACCESSORIES (Configure separately)



TR Series

UPMRM

SPECIFICATIONS

ELECTRICAL	WATTAGE	5W LED
	ADJUST-E-LUME	Integral electronics allows dynamic lumen response at the individual fixture. Indexed (100% to 25% nom.) lumen output. Maintains output at desired level or may be changed conditions require. Specify factory preset output intensity.
	WIRING	Teflon [®] coated, 18AWG, 600V, 250° C rated and certified to UL 1659 standard.
	REMOTE TRANSFORMER	For use with 12VAC remote transformer or magnetic transformers only. B-K Lighting cannot guarantee performance with third party manufacturers' transformers.
PHYSICAL	MATERIALS	Furnished in copper-free aluminum (360) or brass (360).
	BACKBOX	Round, 4-1/4" dia. x 3-1/8" deep construction with [2] mounting tabs. Front access for wire connection and inspection. Provided with [5] 1/2" NPS tapped holes and [4] plugs. Suitable for concrete pour.
	FACEPLATE	Cast construction with machined finish. Countersunk holes provide for flush hardware mounting with two (2) tamper-resistant, stainless steel mounting screws. 1/8" thick HT-805A silicone foam gasket with acrylic adhesive for water-tight seal.
	LENS	Shock-resistant, tempered glass lens is factory adhered to faceplate.
	LED	Integrated solid state system and modular design with electrical quick disconnects is scalable for field upgrade and maintenance. High power, forward throw source complies with ANSI C78.377 binning requirements and exceeds ENERGY STAR [®] lumen maintenance requirements. LM-80 certified components. Integral, constant current driver. 12VAC/VDC input. 50/60Hz. Proprietary input control scheme achieves power factor correction and eliminates inrush current. Output, overvoltage, open-circuit, and short circuit protected. Inrush current limited to <1A (non-dimming). Conforms to Safety Std. C22.2 No. 250.13-12.
	DIMMING	Line voltage dimmable via magnetic low voltage dimmer with dedicated neutral conductor. For purposes of dimming: Remote magnetic transformer with LED loads should be loaded to 25% of the transformer VA (watts) rated value.
	OPTICS	Rectilinear design provides wide lateral distribution and long forward throw.
	CUTOFF & AIMING	90° optical cutoff for mounting heights well below typical visual glare angles. Adjustable optical bracket provides up to 24° vertical aiming.
	HARDWARE	Tamper-resistant, stainless steel fixture hardware. Mounting hardware by others.
	FINISH	StarGuard, our 15-stage chromate-free process cleans and conversion coats aluminum components prior to application of Class 'A' TGIC polyester powder coating and is RoHS compliant. Powder coat or metal finish options available for brass material and metal finish option only for stainless steel material.
WARRANTY	5-year limited warranty.	
CERTIFICATION & LISTING	ITL tested to IESNA LM-79. UL Listed. Certified to CAN/CSA/ANSI Standards. RoHS compliant. Suitable for indoor or outdoor use, in wet locations, and for installation in combustible materials (Type Non-IC) and within 4' of the ground. IP65 Rated. Made in the USA with sustainable processes.	

**B-K LIGHTING****MADE IN THE USA**

559.438.5800 | INFO@BKLIGHTING.COM | BKLIGHTING.COM

LAMP & DRIVER DATA (e100, e101, e102, e103)

DATE:

PROJECT:

TYPE:

DRIVER DATA	Input Volts	InRush Current	Operating	Dimmable	Operation Ambient Temperature
	12VAC/DC 50/60Hz	<250mA (non-dimmed)	500mA	Magnetic Low Voltage Dimmer	-22°F-194°F (-30°C - 90°C)

LM79 DATA

L70 DATA

OPTICAL DATA

BK No.	CCT (Typ.)	CRI (Typ.)	Input Watts (Typ.)	Minimum Rated Life (hrs.) 70% of initial lumens (L ₇₀)	Cutoff Angle	Delivered Lumens
e100	2700K	80	5	50,000	A-68° (Short)	26
	2700K	80	5	50,000	B-90° (Long)	60
e101	3000K	80	5	50,000	A-68° (Short)	26
	3000K	80	5	50,000	B-90° (Long)	61
e102	4000K	80	5	50,000	A-68° (Short)	29
	4000K	80	5	50,000	B-90° (Long)	68
e103	Amber (590nm)	~	5	50,000	~	~

B-K LIGHTING

MADE IN THE USA

559.438.5800 | INFO@BKLIGHTING.COM | BKLIGHTING.COM

THIS DOCUMENT CONTAINS PROPRIETARY INFORMATION OF B-K LIGHTING, INC. AND ITS RECEIPT OR POSSESSION DOES NOT CONVEY ANY RIGHTS TO REPRODUCE, DISCLOSE ITS CONTENTS, OR TO MANUFACTURE, USE OR SELL ANYTHING IT MAY DESCRIBE. REPRODUCTION, DISCLOSURE OR USE WITHOUT SPECIFIC WRITTEN AUTHORIZATION OF B-K LIGHTING, INC. IS STRICTLY FORBIDDEN.