

DATE: _____ PROJECT: _____ TYPE: _____

CATALOG NUMBER LOGIC:



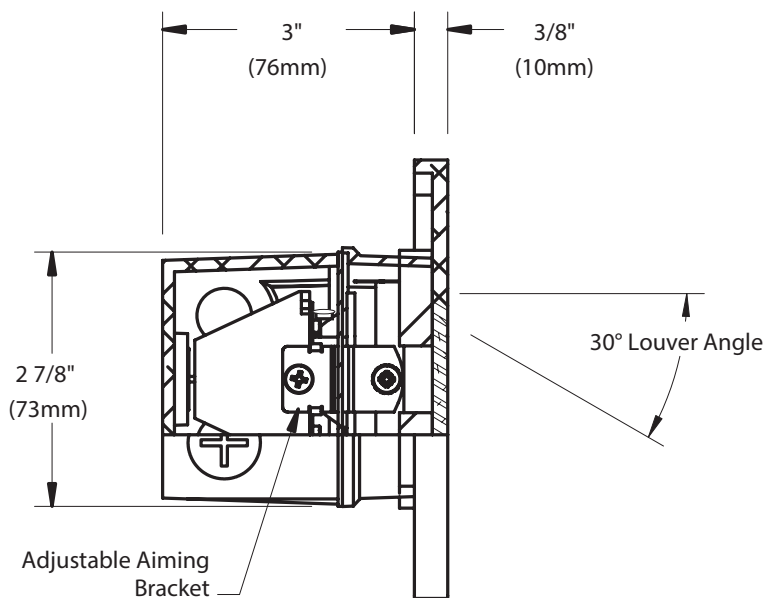
**Requires magnetic low voltage dimmer.*

***Please see Adjust-e-Lume photometry to determine desired intensity.*

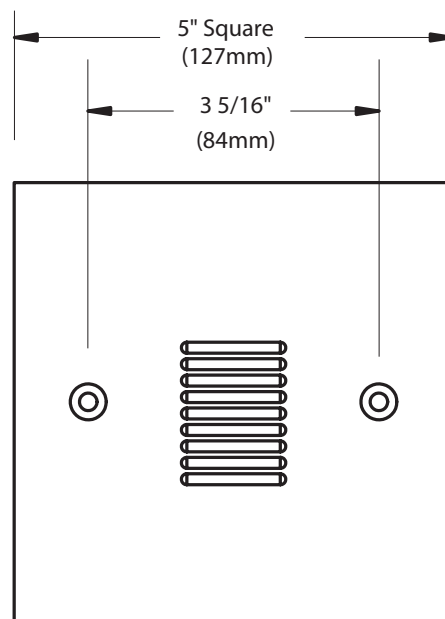
CATALOG NUMBER LOGIC
Example: B - SQL - LED - e100 - A8 - BLW - D
MATERIAL
(Blank) - Aluminum B - Brass S - Stainless Steel
INSTALLATION
(Blank) - Back Box
SERIES
SQL - Louvered Square Step Star
SOURCE
LED - with Integral Dimming Driver (25W min. load when dimmed)*
LED TYPE
e100 - 5W LED/2700K e102 - 5W LED/4000K
e101 - 5W LED/3000K e103 - 5W LED/Amber
ADJUST-E-LUME OUTPUT INTENSITY**
A9 (Standard), A8, A7, A6, A5, A4, A3, A2, A1
FINISH (See page 2 for full-color swatches)
Standard Finishes (BZP, BZW, BLP, BLW, WHP, WHW, SAP, VER)
Premium Finish (ABP, AMG, AQW, BCM, BGE, BPP, CAP, CMG, CRI, CRM, HUG, MDS, NBP, OCP, RMG, SDS, SMG, TXF, WCP, WIR)
Also available in RAL Finishes
Brass Finishes (MAC, POL, MIT)
Stainless Steel Finishes (MAC, POL)
LOUVER
D - 30° Angle Rectangular Pattern

DATE: _____ PROJECT: _____ TYPE: _____

SIDEVIEW



FACEPLATE DETAIL



Pattern D
(30° Angle, Rectangular Pattern)

STANDARD FINISHES



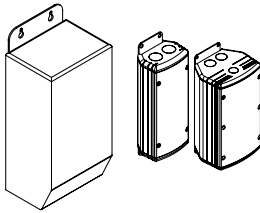
[Click Here](#) to view larger, full-color swatches of all available finishes on our website.

PREMIUM FINISHES



DATE:	PROJECT:	TYPE:
-------	----------	-------

ACCESSORIES (Configure separately)



TR Series

UPMRM

SPECIFICATIONS

ELECTRICAL	WATTAGE	5W LED
	ADJUST-E-LUME	Integral electronics allows dynamic lumen response at the individual fixture. Indexed (100% to 25% nom.) lumen output. Maintains output at desired level or may be changed as conditions require. Specify factory preset output intensity
	WIRING	Teflon® coated, 18AWG, 600V, 250° C rated and certified to UL 1659 standard.
	REMOTE TRANSFORMER	For use with 12VAC remote transformer or magnetic transformers only. B-K Lighting cannot guarantee performance with third party manufacturers' transformers.
PHYSICAL	MATERIALS	Furnished in Copper-Free Aluminum (Type 6061-T6) or Brass (Type 360) or Stainless Steel (Type 304).
	BACKBOX	Rectangular, 4-5/8" x 2-7/8" deep, cast aluminum construction. Front access for wire connection and inspection. Provided with [5] 1/2" NPS tapped holes (2 on each end and 1 on the back) and [4] plugs. Suitable for concrete pour.
	FACEPLATE	Fully machined from solid billet. Countersunk holes provide for flush hardware mounting with [2] tamper-resistant, stainless steel mounting screws. 1/8" thick HT-805A silicone foam gasket with acrylic adhesive for water-tight seal.
	LENS	Shock resistant, tempered, glass lens is factory adhered to faceplate.
	LED	Integrated solid state system with 'e' technology is scalable for field upgrade. Modular design with electrical quick disconnects permit field maintenance. High power, forward throw source complies with ANSI C78.377 binning requirements. Exceeds ENERGY STAR® lumen maintenance requirements. LM-80 certified components. Integral, constant current driver. 12VAC/VDC input. 50/60Hz. Proprietary input control scheme achieves power factor correction and eliminates inrush current. Output, overvoltage, open-circuit, and short circuit protected. Inrush current limited to <1A (non-dimming). Conforms to Safety Std. C22.2 No. 250.13-12.
	DIMMING	Line voltage dimmable via magnetic low voltage dimmer. For use with low voltage dimmer with dedicated neutral conductor. For purposes of dimming: Remote magnetic transformer with BKSSL® Power of 'e' technology loads should be loaded to 25% of the transformer VA (watts) rated value.
	OPTICS	Rectilinear design provides wide lateral distribution and long forward throw.
	LOUVERS AND AIMING	Louver pattern is machined into faceplate to prevent direct view to the source at nadir. 30° optical cutoff for mounting heights well below typical visual glare angles. Adjustable lamp bracket provides up to 24° vertical aiming.
	HARDWARE	Tamper-resistant, stainless steel hardware. Faceplate screws are additionally black oxide treated for additional corrosion resistance.
	FINISH	StarGuard®, our exclusive RoHs compliant, 15 stage chromate-free process cleans and conversion coats aluminum components prior to application of Class 'A' TGIC polyester powder coating. Brass components are available in powder coat or handcrafted metal finish. Stainless steel components are available in handcrafted metal finish.
WARRANTY	5 year limited warranty.	
CERTIFICATION AND LISTING	ITL tested to IESNA LM-79. UL Listed. Certified to CAN/CSA/ANSI Standards. RoHs compliant. Suitable for indoor or outdoor use. Suitable for installation in combustible materials (Type Non-IC). Suitable for use in wet locations. Suitable for installation within 4' of the ground. IP65 Rated. Made in USA.	



B-K LIGHTING	MADE IN THE USA	559.438.5800 INFO@BKLIGHTING.COM BKLIGHTING.COM
---------------------	------------------------	--

LAMP & DRIVER DATA (e100, e101, e102, e103)

DATE: _____ PROJECT: _____ TYPE: _____

DRIVER DATA	Input Volts	InRush Current	Operating	Dimmable	Operation Ambient Temperature
	12VAC/DC 50/60Hz	<250mA (non-dimmed)	500mA	Magnetic Low Voltage Dimmer	-22°F-194°F (-30°C - 90°C)

LM79 DATA				L70 DATA	OPTICAL DATA	
BK No.	CCT (Typ.)	CRI (Typ.)	Input Watts (Typ.)	Minimum Rated Life (hrs.) 70% of initial lumens (L ₇₀)	Louver Angle	Delivered Lumens
e100	2700K	80	5	50,000	C-30°	59
e101	3000K	80	5	50,000	C-30°	60
e102	4000K	80	5	50,000	C-30°	68
e103	Amber (590nm)	~	5	50,000	~	~

B-K LIGHTING

MADE IN THE USA

559.438.5800 | INFO@BKLIGHTING.COM | BKLIGHTING.COM

THIS DOCUMENT CONTAINS PROPRIETARY INFORMATION OF B-K LIGHTING, INC. AND ITS RECEIPT OR POSSESSION DOES NOT CONVEY ANY RIGHTS TO REPRODUCE, DISCLOSE ITS CONTENTS, OR TO MANUFACTURE, USE OR SELL ANYTHING IT MAY DESCRIBE. REPRODUCTION, DISCLOSURE OR USE WITHOUT SPECIFIC WRITTEN AUTHORIZATION OF B-K LIGHTING, INC. IS STRICTLY FORBIDDEN.

04/22/2020
SUB-2585-00