

# SQUARE VERSA STAR LED (CORE DRILL)

IP65 RATED

DATE:	PROJECT:	TYPE:
-------	----------	-------

CATALOG NUMBER LOGIC:



*\*Requires magnetic low voltage dimmer.*

*\*\*Please see Adjust-e-Lume photometry to determine desired intensity.*

## CATALOG NUMBER LOGIC

Example: CD - VQ - LED - e65- SP - A6 - VER - 13 - 11

## MATERIAL

(Blank) - Aluminum B - Brass S - Stainless Steel

## INSTALLATION

CD - Core Drill

## SERIES

VQ - Square Versa Star

## SOURCE

LED - with Integral Dimming Driver (25W min. load when dimmed)\*

## LED TYPE

e64 - 7W LED/2700K e65 - 7W LED/4000K

e66 - 7W LED/3000K e74 - 7W LED/Amber

## OPTICS

NSP - Narrow Spot (17°) MFL - Medium Flood (28°)

SP - Spot (21°) WFL - Wide Flood (31°)

## ADJUST-E-LUME OUTPUT INTENSITY\*\*

A9 (Standard), A8, A7, A6, A5, A4, A3, A2, A1

## FINISH (See page 2 for full-color swatches)

Standard Finishes (BZP, BZW, BLP, BLW, WHP, WHW, SAP, VER)

Premium Finish (ABP, AMG, AQW, BCM, BGE, BPP, CAP, CMG, CRI, CRM, HUG, MDS, NBP, OCP, RMG, SDS, SMG, TXF, WCP, WIR)

Also available in RAL Finishes

Brass Finishes (MAC, POL, MIT)

Stainless Steel Finishes (MAC, POL)

## LENS TYPE

12 - Soft Focus 13 - Rectilinear

## SHIELDING

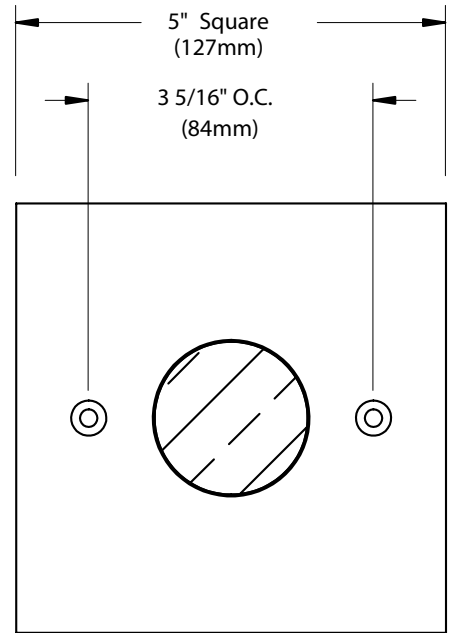
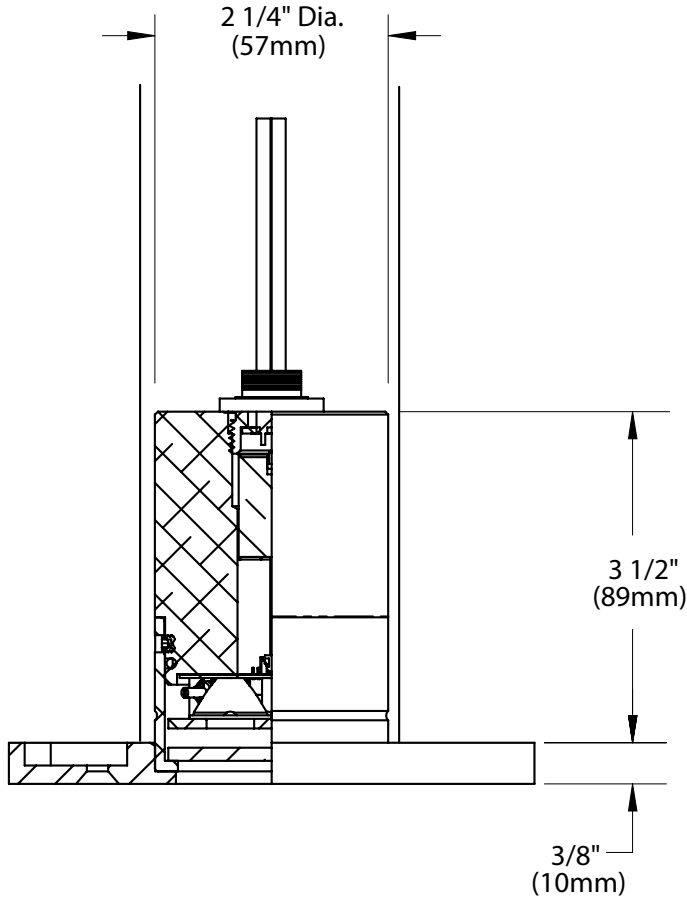
11 - Honeycomb Baffle

**B-K LIGHTING**

**MADE IN THE USA**

559.438.5800 | INFO@BKLIGHTING.COM | BKLIGHTING.COM

DATE: \_\_\_\_\_ PROJECT: \_\_\_\_\_ TYPE: \_\_\_\_\_

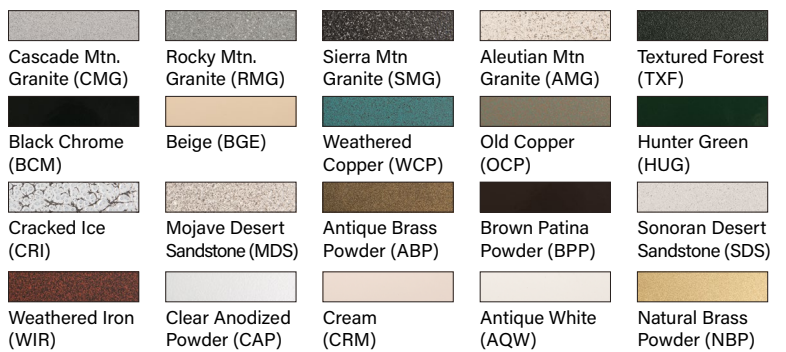


**STANDARD FINISHES**



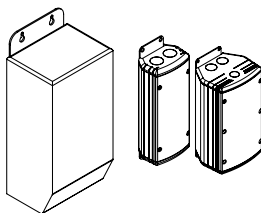
[Click Here](#) to view larger, full-color swatches of all available finishes on our website.

**PREMIUM FINISHES**



DATE: \_\_\_\_\_ PROJECT: \_\_\_\_\_ TYPE: \_\_\_\_\_

ACCESSORIES (Configure separately)



TR Series

UPMRM

SPECIFICATIONS

ELECTRICAL	WATTAGE	7W LED
	ADJUST-E-LUME	Integral electronics allows dynamic lumen response at the individual fixture. Indexed (100% to 25% nom.) lumen output. Maintains output at desired level or may be changed. Specify factory preset output intensity.
	WIRING	Teflon® coated, 18AWG, 600V, 250° C rated and certified to UL 1659 standard. Anti-Siphon Valve (ASV) prevents wicking through conductor insulation.
	REMOTE TRANSFORMER	For use with 12VAC remote transformer or magnetic transformers only. B-K Lighting cannot guarantee performance with third party manufacturers' transformers.
PHYSICAL	MATERIALS	Furnished in copper-free aluminum (6061-T6), brass (360) or stainless steel (304).
	CORE DRILL	Allows for mounting into existing structures that will not easily accept a standard box. 2-1/2" dia. hole required for slip fit.
	BODY	Unibody design with enclosed, water-proof wireway and integral heat sink is fully machined from solid billet.
	FACEPLATE	Fully machined from solid billet. Countersunk holes provide for flush hardware mounting (by others). Accommodates (1) lens or louver media.
	LENS	Shock resistant, tempered-glass lens is factory adhered to faceplate and provides hermetically sealed optical compartment.
	LED	Integrated solid state system and modular design with electrical disconnects allow for easy field upgrade and maintenance. High power, forward throw source complies with ANSI C78.377 binning requirements and exceeds ENERGY STAR® lumen maintenance requirements. LM-80 certified components. Integral, constant current driver. 12VAC/VDC input. 50/60Hz. Proprietary input control scheme achieves power factor correction and eliminates inrush current (limited to <250mA non-dimming). Output, overvoltage, open-circuit, and short circuit protected. Conforms to Safety Std. C22.2 No. 250.13-12.
	DIMMING	Line voltage dimmable via magnetic low voltage dimmer with dedicated neutral conductor. Remote magnetic transformer with LED loads should be loaded to 25% of the transformer VA (watts) rated value.
	OPTICS	Interchangeable OPTIKIT modules permit optical field changes. Color-code: Narrow Spot (NSP) = red; Spot (SP) = green; Medium Flood (MFL) = yellow; Wide Flood (WFL) = blue.
	HARDWARE	Tamper-resistant, stainless steel hardware (by others). Faceplate screws are black oxide treated for additional corrosion resistance.
	FINISH	StarGuard, our 15-stage chromate-free process cleans and conversion coats aluminum components prior to application of Class 'A' TGIC polyester powder coating and is RoHS compliant. Powder coat or metal finish options available for brass material and metal finish option only for stainless steel material.
WARRANTY	5-year limited warranty.	
CERTIFICATION & LISTING	ITL tested to IESNA LM-79. UL Listed. Certified to CAN/CSA/ANSI Standards. RoHS compliant. Suitable for indoor or outdoor use, in wet locations, and for installation within 4' of the ground. IP65 Rated. Made in the USA with sustainable processes.	



# LAMP & DRIVER DATA (e64, e65, e66, e74)

DATE:

PROJECT:

TYPE:

CATALOG NUMBER LOGIC:

DRIVER DATA	Input Volts	InRush Current	Operating	Dimmable	Operation Ambient Temperature
	12VAC/DC 50/60Hz	<250mA (non-dimmed)	700mA	Magnetic Low Voltage Dimmer	-10°F-130°F (-12°C-54°C)

LM79 DATA				L70 DATA		OPTICAL DATA		
BK No.	CCT (Typ.)	CRI (Typ.)	Input Watts (Typ.)	Minimum Rated Life (hrs.) 70% of initial lumens (L <sub>70</sub> )		Angle	Louver Angle	Delivered Lumens
e64	2700K	80	7	50,000		13°	30°	49
	2700K	80	7	50,000		16°	30°	46
	2700K	80	7	50,000		23°	30°	44
	2700K	80	7	50,000		31°	30°	28
	2700K	80	7	50,000		13°	0°	247
	2700K	80	7	50,000		16°	0°	215
	2700K	80	7	50,000		23°	0°	199
	2700K	80	7	50,000		31°	0°	112
e65	3000K	80	7	50,000		13°	30°	50
	3000K	80	7	50,000		16°	30°	47
	3000K	80	7	50,000		23°	30°	45
	3000K	80	7	50,000		31°	30°	28
	3000K	80	7	50,000		13°	0°	253
	3000K	80	7	50,000		16°	0°	220
	3000K	80	7	50,000		23°	0°	204
	3000K	80	7	50,000		31°	0°	115
e66	4000K	80	7	50,000		13°	30°	56
	4000K	80	7	50,000		16°	30°	52
	4000K	80	7	50,000		23°	30°	51
	4000K	80	7	50,000		31°	30°	32
	4000K	80	7	50,000		13°	0°	284
	4000K	80	7	50,000		16°	0°	247
	4000K	80	7	50,000		23°	0°	229
	4000K	80	7	50,000		31°	0°	129
e74	Amber (590nm)	~	7	50,000		~	~	~

## OPTICS

Optic	Angle
NSP - Narrow Spot	13°
SP - Spot	16°
MFL - Medium Flood	23°
WFL - Wide Flood	31°

**B-K LIGHTING**

MADE IN THE USA

559.438.5800 | INFO@BKLIGHTING.COM | BKLIGHTING.COM

THIS DOCUMENT CONTAINS PROPRIETARY INFORMATION OF B-K LIGHTING, INC. AND ITS RECEIPT OR POSSESSION DOES NOT CONVEY ANY RIGHTS TO REPRODUCE, DISCLOSE ITS CONTENTS, OR TO MANUFACTURE, USE OR SELL ANYTHING IT MAY DESCRIBE. REPRODUCTION, DISCLOSURE OR USE WITHOUT SPECIFIC WRITTEN AUTHORIZATION OF B-K LIGHTING, INC. IS STRICTLY FORBIDDEN.