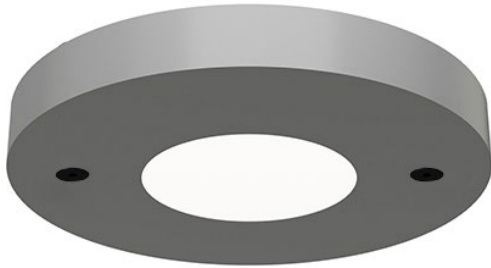


DATE: _____ PROJECT: _____ TYPE: _____

CATALOG NUMBER LOGIC:

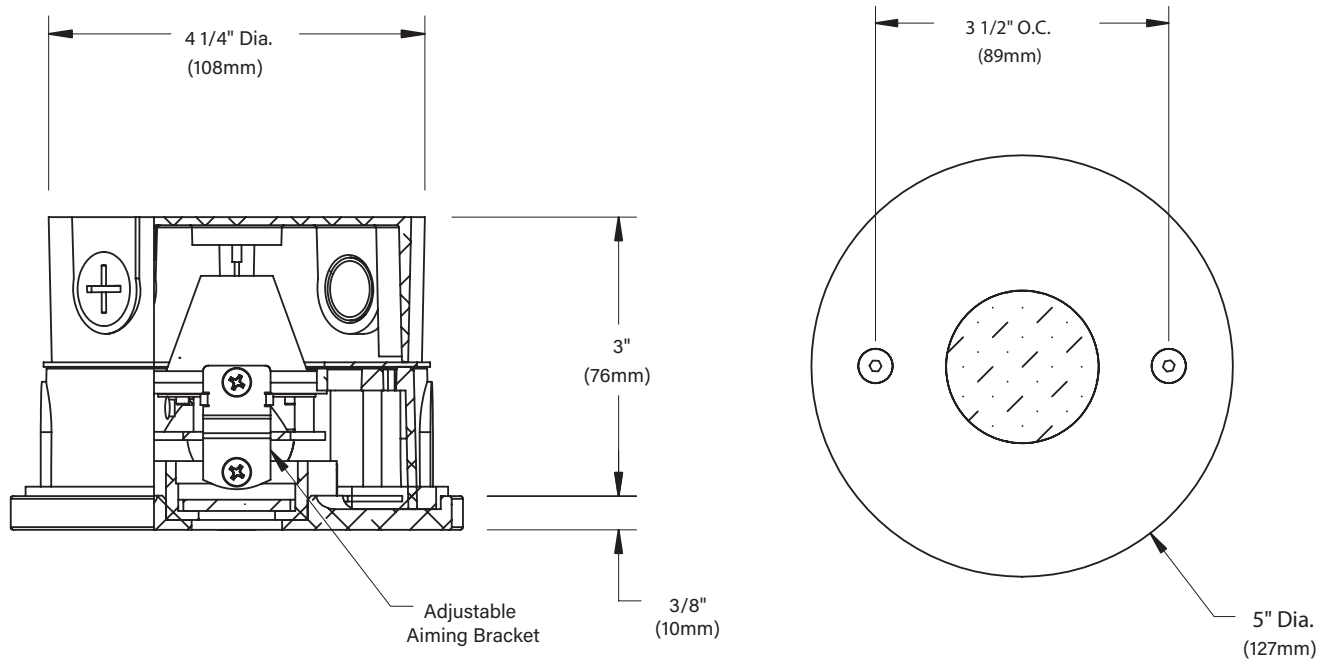


**Requires magnetic low voltage dimmer.*
***Please see Adjust-e-Lume photometry to determine desired intensity.*

| | |
|---|--------------------------|
| CATALOG NUMBER LOGIC | |
| Example: B - VS - LED - e103 - WFL - A4 - BLW - 13 - 11 | |
| MATERIAL | |
| (Blank) - Aluminum B - Brass S - Stainless Steel | |
| INSTALLATION | |
| (Blank) - Back Box | |
| SERIES | |
| VS - Versa Star | |
| SOURCE | |
| LED - with Integral Dimming Driver (25W min. load when dimmed)* | |
| LED TYPE | |
| e100 - 5W LED/2700K | e102 - 5W LED/4000K |
| e101 - 5W LED/3000K | e103 - 5W LED/Amber |
| OPTICS | |
| NSP - Narrow Spot (13°) | MFL - Medium Flood (23°) |
| SP - Spot (16°) | WFL - Wide Flood (31°) |
| ADJUST-E-LUME OUTPUT INTENSITY** | |
| A9 (Standard), A8, A7, A6, A5, A4, A3, A2, A1 | |
| FINISH (See page 2 for full-color swatches) | |
| Standard Finishes (BZP, BZW, BLP, BLW, WHP, WHW, SAP, VER) | |
| Premium Finish (ABP, AMG, AQW, BCM, BGE, BPP, CAP, CMG, CRI, CRM, HUG, MDS, NBP, OCP, RMG, SDS, SMG, TXF, WCP, WIR) | |
| Also available in RAL Finishes | |
| Brass Finishes (MAC, POL, MIT) | |
| Stainless Steel Finishes (MAC, POL) | |
| LENS TYPE | |
| 12 - Soft Focus | 13 - Rectilinear |
| SHIELDING | |
| 11 - Honeycomb Baffle | |

VERSA STAR LED (JUNCTION BOX) IP65 RATED

DATE: _____ PROJECT: _____ TYPE: _____

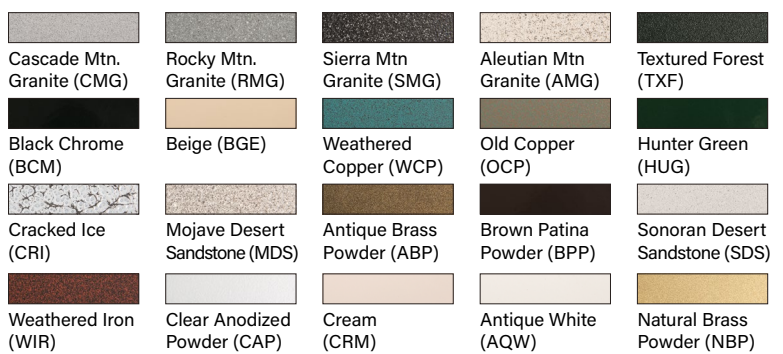


STANDARD FINISHES



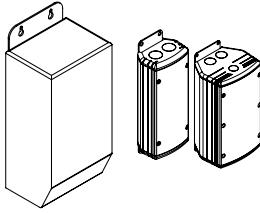
[Click Here](#) to view larger, full-color swatches of all available finishes on our website.

PREMIUM FINISHES



DATE: _____ PROJECT: _____ TYPE: _____

ACCESSORIES (Configure separately)



TR Series

UPMRM

SPECIFICATIONS

| | | |
|-------------------------|--|--|
| ELECTRICAL | WATTAGE | 5W LED |
| | ADJUST-E-LUME | Integral electronics allows dynamic lumen response at the individual fixture. Indexed (100% to 25% nom.) lumen output. Maintains output at desired level or may be changed. Specify factory preset output intensity. |
| | WIRING | Teflon® coated, 18AWG, 600V, 250° C rated and certified to UL 1659 standard. |
| | REMOTE TRANSFORMER | For use with 12VAC remote transformer or magnetic transformers only. B-K Lighting cannot guarantee performance with third party manufacturers' transformers. |
| PHYSICAL | MATERIALS | Furnished in copper-free aluminum (6061-T6), brass (360) or stainless steel (304). |
| | BACK BOX | Round, 4-1/4" dia. x 3-1/8" deep construction with two (2) mounting tabs. Front access for wire connection and inspection. Provided with five (5) 1/2" NPS tapped holes and four (4) plugs. Suitable for concrete pour. |
| | FACEPLATE | Fully machined from solid billet. Countersunk holes provide for flush hardware mounting with two (2) tamper-resistant, stainless steel mounting screws. Stainless steel universal mounting ring for faceplate adjustment and 1/8" thick HT-805A silicone foam gasket with acrylic adhesive for water-tight seal. Accommodates one (1) lens or louver media. |
| | LENS | Shock resistant, tempered, glass lens is factory adhered to faceplate. |
| | LED | Integrated solid state system is scalable for field upgrade. Modular design with electrical quick disconnects permit field maintenance. High power, forward throw source complies with ANSI C78.377 binning requirements. Exceeds ENERGY STAR® lumen maintenance requirements. LM-80 certified components. Integral, constant current driver. 12VAC/VDC input. 50/60Hz. Proprietary input control scheme achieves power factor correction and eliminates inrush current. Output, overvoltage, open-circuit, and short circuit protected. Inrush current limited to <1A (non-dimming). Conforms to Safety Std. C22.2 No. 250.13-12. |
| | DIMMING | Line voltage dimmable via magnetic low voltage dimmer with dedicated neutral conductor. Remote magnetic transformer with LED loads should be loaded to 25% of the transformer VA (watts) rated value. |
| | OPTICS | Interchangeable OPTIKIT modules permit optical field changes. Color-code: Spot (SP) = green; Medium Flood (MFL) = yellow; Flood (FL) = blue. |
| | AIMING & CONTROL | Adjustable optical bracket provides up to 24° vertical aiming. |
| | HARDWARE | Tamper-resistant, stainless steel hardware. Faceplate screws are black oxide treated for additional corrosion resistance. |
| | FINISH | StarGuard, our 15-stage chromate-free process cleans and conversion coats aluminum components prior to application of Class 'A' TGIC polyester powder coating and is RoHS compliant. Powder coat or metal finish options available for brass material and metal finish option only for stainless steel material. |
| WARRANTY | 5-year limited warranty. | |
| CERTIFICATION & LISTING | ITL tested to IESNA LM-79. UL Listed. Certified to CAN/CSA/ANSI Standards. RoHS compliant. Suitable for indoor or outdoor use, in wet locations, and for installation within 4' of the ground. IP65 Rated. Made in the USA with sustainable processes. | |



LAMP & DRIVER DATA (e100, e101, e102, e103)

DATE:

PROJECT:

TYPE:

CATALOG NUMBER LOGIC:

| DRIVER DATA | Input Volts | InRush Current | Operating | Dimmable | Operation Ambient Temperature |
|-------------|------------------|---------------------|-----------|-----------------------------|-------------------------------|
| | 12VAC/DC 50/60Hz | <250mA (non-dimmed) | 500mA | Magnetic Low Voltage Dimmer | -22°F-194°F (-30°C - 90°C) |

| LM79 DATA | | | | L70 DATA | | OPTICAL DATA | | |
|-----------|---------------|------------|--------------------|---|--|--------------|------|------------------|
| BK No. | CCT (Typ.) | CRI (Typ.) | Input Watts (Typ.) | Minimum Rated Life (hrs.) 70% of initial lumens (L ₇₀) | | Angle | CBCP | Delivered Lumens |
| e100 | 2700K | 80 | 5 | 50,000 | | 13° | 3938 | 309 |
| | 2700K | 80 | 5 | 50,000 | | 16° | 2988 | 301 |
| | 2700K | 80 | 5 | 50,000 | | 23° | 1134 | 269 |
| | 2700K | ~ | 5 | 50,000 | | 31° | 743 | 271 |
| e101 | 3000K | 80 | 5 | 50,000 | | 13° | 4029 | 316 |
| | 3000K | 80 | 5 | 50,000 | | 16° | 3056 | 308 |
| | 3000K | 80 | 5 | 50,000 | | 23° | 1161 | 275 |
| | 3000K | ~ | 5 | 50,000 | | 31° | 760 | 277 |
| e102 | 4000K | 80 | 5 | 50,000 | | 13° | 4527 | 355 |
| | 4000K | 80 | 5 | 50,000 | | 16° | 3434 | 346 |
| | 4000K | 80 | 5 | 50,000 | | 23° | 1304 | 309 |
| | 4000K | ~ | 5 | 50,000 | | 31° | 854 | 311 |
| e103 | Amber (590nm) | ~ | 5 | 50,000 | | ~ | ~ | ~ |

OPTICS

| Optic | Angle |
|--------------------|-------|
| NSP - Narrow Spot | 13° |
| SP - Spot | 16° |
| MFL - Medium Flood | 23° |
| WFL - Wide Flood | 31° |

B-K LIGHTING

MADE IN THE USA

559.438.5800 | INFO@BKLIGHTING.COM | BKLIGHTING.COM

THIS DOCUMENT CONTAINS PROPRIETARY INFORMATION OF B-K LIGHTING, INC. AND ITS RECEIPT OR POSSESSION DOES NOT CONVEY ANY RIGHTS TO REPRODUCE, DISCLOSE ITS CONTENTS, OR TO MANUFACTURE, USE OR SELL ANYTHING IT MAY DESCRIBE. REPRODUCTION, DISCLOSURE OR USE WITHOUT SPECIFIC WRITTEN AUTHORIZATION OF B-K LIGHTING, INC. IS STRICTLY FORBIDDEN.