

DATE: _____ PROJECT: _____ TYPE: _____

CATALOG NUMBER LOGIC:



**Requires magnetic low voltage dimmer.*

***Please see Adjust-e-Lume photometry to determine desired intensity.*

CATALOG NUMBER LOGIC

Example: B - VSL - LED - e102 - WFL - A9 - VER - 13 - 11 - C

MATERIAL

(Blank) - Aluminum B - Brass S - Stainless Steel

INSTALLATION

(Blank) - Back Box

SERIES

VSL - Louvered Versa Star

SOURCE

LED - with Integral Dimming Driver (25W min. load when dimmed)*

LED TYPE

e100 - 5W LED/2700K	e102 - 5W LED/4000K
e101 - 5W LED/3000K	e103 - 5W LED/Amber

OPTICS

NSP - Narrow Spot (13°)	MFL - Medium Flood (23°)
SP - Spot (16°)	WFL - Wide Flood (31°)

ADJUST-E-LUME OUTPUT INTENSITY**

A9 (Standard), A8, A7, A6, A5, A4, A3, A2, A1

FINISH (See page 2 for full-color swatches)

Standard Finishes (BZP, BZW, BLP, BLW, WHP, WHW, SAP, VER)

Premium Finish (ABP, AMG, AQW, BCM, BGE, BPP, CAP, CMG, CRI, CRM, HUG, MDS, NBP, OCP, RMG, SDS, SMG, TXF, WCP, WIR)

Also available in RAL Finishes

Brass Finishes (MAC, POL, MIT)

Stainless Steel Finishes (MAC, POL)

LENS TYPE

12 - Soft Focus 13 - Rectilinear

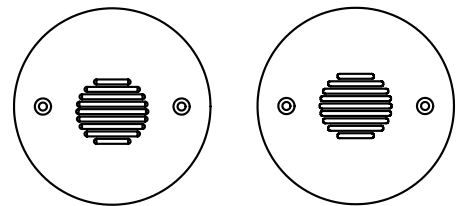
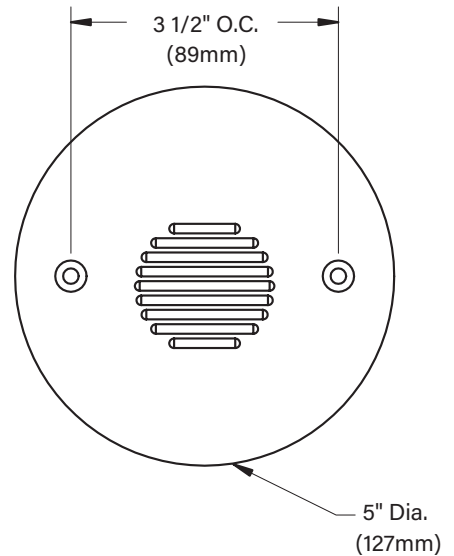
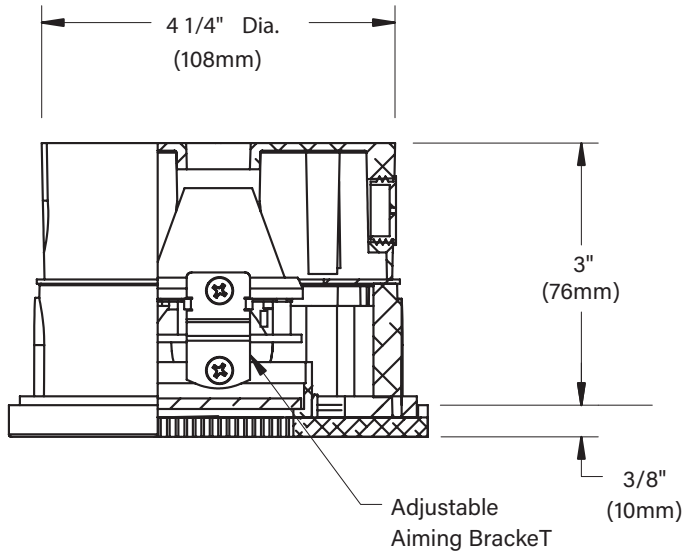
SHIELDING

11 - Honeycomb Baffle

LOUVER

C - 30° Angle, Rectangular Pattern
 F - 0° Angle, Rectangular Pattern

DATE: _____ PROJECT: _____ TYPE: _____



Pattern C (30° Angle, Round Pattern)

Pattern F (0° Angle, Round Pattern)

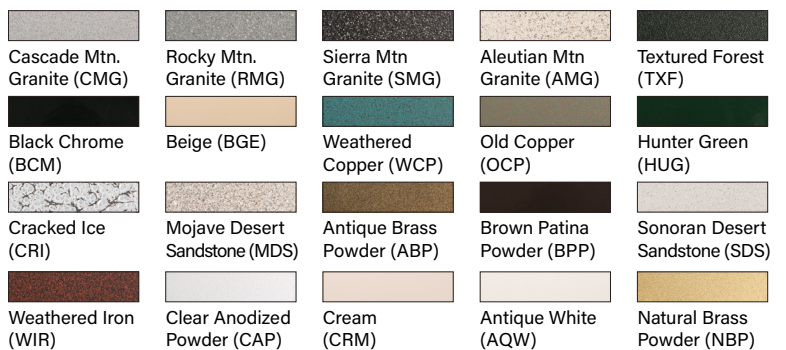
LOUVER OPTIONS

STANDARD FINISHES



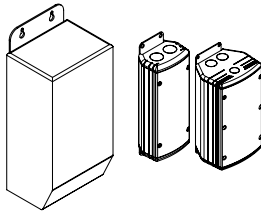
[Click Here](#) to view larger, full-color swatches of all available finishes on our website.

PREMIUM FINISHES



DATE:	PROJECT:	TYPE:
-------	----------	-------

ACCESSORIES (Configure separately)



TR Series

UPMRM

SPECIFICATIONS

ELECTRICAL	WATTAGE	5W LED
	ADJUST-E-LUME	Integral electronics allows dynamic lumen response at the individual fixture. Indexed (100% to 25% nom.) lumen output. Maintains output at desired level or may be changed. Specify factory preset output intensity.
	WIRING	Teflon® coated, 18AWG, 600V, 250° C rated and certified to UL 1659 standard.
	REMOTE TRANSFORMER	For use with 12VAC remote transformer or magnetic transformers only. B-K Lighting cannot guarantee performance with third party manufacturers' transformers.
PHYSICAL	MATERIALS	Furnished in copper-free aluminum (6061-T6), brass (360) or stainless steel (304).
	BACK BOX	Round, 4-1/4" dia. x 3-1/8" deep construction with two (2) mounting tabs. Front access for wire connection and inspection. Provided with five (5) 1/2" NPS tapped holes and four (4) plugs. Suitable for concrete pour.
	FACEPLATE	Fully machined from solid billet. Countersunk holes provide for flush hardware mounting with two (2) tamper-resistant, stainless steel mounting screws. Stainless steel universal mounting ring for faceplate adjustment and 1/8" thick HT-805A silicone foam gasket with acrylic adhesive for water-tight seal. Accommodates one (1) lens or louver media.
	LOUVERS	Louver pattern is machined into faceplate.
	LENS	Shock resistant, tempered, glass lens is factory adhered to faceplate.
	LED	Integrated solid state system is scalable for field upgrade. Modular design with electrical quick disconnects permit field maintenance. High power, forward throw source complies with ANSI C78.377 binning requirements. Exceeds ENERGY STAR® lumen maintenance requirements. LM-80 certified components. Integral, constant current driver. 12VAC/VDC input. 50/60Hz. Proprietary input control scheme achieves power factor correction and eliminates inrush current. Output, overvoltage, open-circuit, and short circuit protected. Inrush current limited to <1A (non-dimming). Conforms to Safety Std. C22.2 No. 250.13-12.
	DIMMING	Line voltage dimmable via magnetic low voltage dimmer with dedicated neutral conductor. Remote magnetic transformer with LED loads should be loaded to 25% of the transformer VA (watts) rated value.
	OPTICS	Interchangeable OPTIKIT modules permit optical field changes. Color-code: Spot (SP) = green; Medium Flood (MFL) = yellow; Flood (FL) = blue.
	AIMING & CONTROL	Adjustable optical bracket provides up to 24° vertical aiming.
	HARDWARE	Tamper-resistant, stainless steel hardware. Faceplate screws are black oxide treated for additional corrosion resistance.
	FINISH	StarGuard, our 15-stage chromate-free process cleans and conversion coats aluminum components prior to application of Class 'A' TGIC polyester powder coating and is RoHS compliant. Powder coat or metal finish options available for brass material and metal finish option only for stainless steel material.
	WARRANTY	5-year limited warranty.
	CERTIFICATION & LISTING	ITL tested to IESNA LM-79. UL Listed. Certified to CAN/CSA/ANSI Standards. RoHS compliant. Suitable for indoor or outdoor use, in wet locations, and for installation within 4' of the ground. IP65 Rated. Made in the USA with sustainable processes.



LAMP & DRIVER DATA (e100, e101, e102, e103)

DATE:

PROJECT:

TYPE:

CATALOG NUMBER LOGIC:

DRIVER DATA	Input Volts	InRush Current	Operating	Dimmable	Operation Ambient Temperature
	12VAC/DC 50/60Hz	<250mA (non-dimmed)	500mA	Magnetic Low Voltage Dimmer	-22°F-194°F (-30°C - 90°C)

LM79 DATA				L70 DATA		OPTICAL DATA		
BK No.	CCT (Typ.)	CRI (Typ.)	Input Watts (Typ.)	Minimum Rated Life (hrs.) 70% of initial lumens (L ₇₀)		Angle	Louver Angle	Delivered Lumens
e100	2700K	80	5	50,000		13°	C-30°	140
	2700K	80	5	50,000		16°	C-30°	130
	2700K	80	5	50,000		23°	C-30°	126
	2700K	80	5	50,000		31°	C-30°	78
	2700K	80	5	50,000		13°	F-0°	195
	2700K	80	5	50,000		16°	F-0°	171
	2700K	80	5	50,000		23°	F-0°	158
	2700K	80	5	50,000		31°	F-0°	89
e101	3000K	80	5	50,000		13°	C-30°	143
	3000K	80	5	50,000		16°	C-30°	133
	3000K	80	5	50,000		23°	C-30°	129
	3000K	80	5	50,000		31°	C-30°	80
	3000K	80	5	50,000		13°	F-0°	200
	3000K	80	5	50,000		16°	F-0°	175
	3000K	80	5	50,000		23°	F-0°	162
	3000K	80	5	50,000		31°	F-0°	91
e102	4000K	80	5	50,000		13°	C-30°	161
	4000K	80	5	50,000		16°	C-30°	150
	4000K	80	5	50,000		23°	C-30°	145
	4000K	80	5	50,000		31°	C-30°	91
	4000K	80	5	50,000		13°	F-0°	224
	4000K	80	5	50,000		16°	F-0°	196
	4000K	80	5	50,000		23°	F-0°	182
	4000K	80	5	50,000		31°	F-0°	102
e103	Amber (590nm)	~	5	50,000		~	~	

OPTICS

Optic	Angle
NSP - Narrow Spot	13°
SP - Spot	16°
MFL - Medium Flood	23°
WFL - Wide Flood	31°

B-K LIGHTING

MADE IN THE USA

559.438.5800 | INFO@BKLIGHTING.COM | BKLIGHTING.COM

THIS DOCUMENT CONTAINS PROPRIETARY INFORMATION OF B-K LIGHTING, INC. AND ITS RECEIPT OR POSSESSION DOES NOT CONVEY ANY RIGHTS TO REPRODUCE, DISCLOSE ITS CONTENTS, OR TO MANUFACTURE, USE OR SELL ANYTHING IT MAY DESCRIBE. REPRODUCTION, DISCLOSURE OR USE WITHOUT SPECIFIC WRITTEN AUTHORIZATION OF B-K LIGHTING, INC. IS STRICTLY FORBIDDEN.