

DATE:	PROJECT:	TYPE:
-------	----------	-------

CATALOG NUMBER LOGIC:



**CATALOG NUMBER LOGIC**

Example: B - VQL - LED - e100 - NSP - A9 - WHP - 13 - 11 - D

**MATERIAL**

(Blank) - Aluminum B - Brass S - Stainless Steel

**INSTALLATION**

(Blank) - Back Box

**SERIES**

VQL - Louvered Square Versa Star

**SOURCE**

LED - with Integral Dimming Driver (25W min. load when dimmed)\*

**LED TYPE**

e100 - 5W LED/2700K	e102 - 5W LED/4000K
e101 - 5W LED/3000K	e103 - 5W LED/Amber

**OPTICS**

NSP - Narrow Spot (13°)	MFL - Medium Flood (23°)
SP - Spot (16°)	WFL - Wide Flood (31°)

**ADJUST-E-LUME OUTPUT INTENSITY\*\***

A9 (Standard), A8, A7, A6, A5, A4, A3, A2, A1

**FINISH (See page 2 for full-color swatches)**

Standard Finishes (BZP, BZW, BLP, BLW, WHP, WHW, SAP, VER)

Premium Finish (ABP, AMG, AQW, BCM, BGE, BPP, CAP, CMG, CRI, CRM, HUG, MDS, NBP, OCP, RMG, SDS, SMG, TXF, WCP, WIR)

Also available in RAL Finishes

Brass Finishes (MAC, POL, MIT)

Stainless Steel Finishes (MAC, POL)

**LENS TYPE**

12 - Soft Focus 13 - Rectilinear

**SHIELDING**

11 - Honeycomb Baffle

**LOUVER**

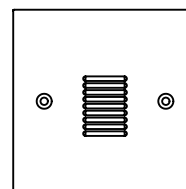
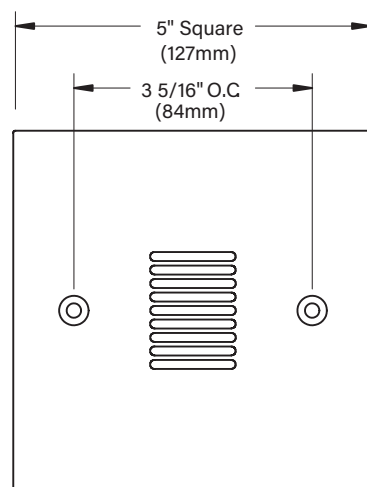
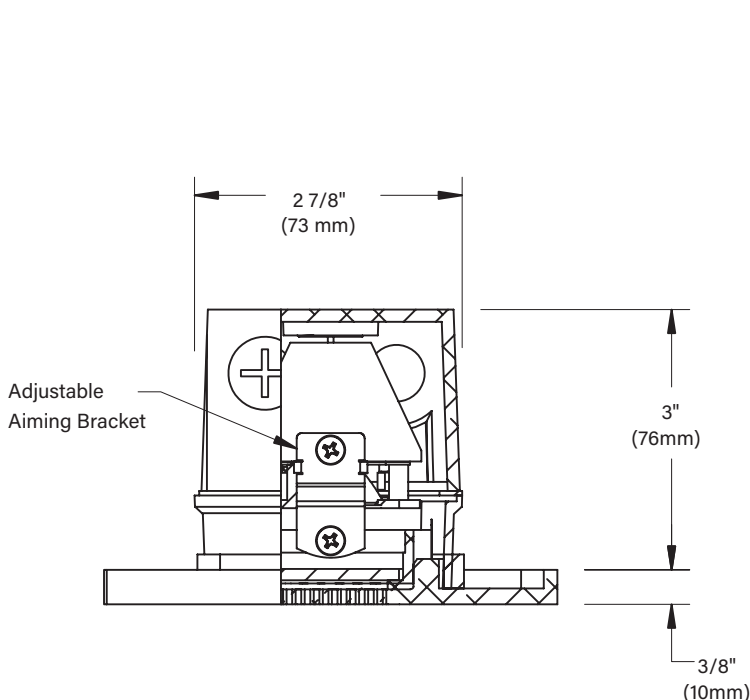
D - 30° Angle, Rectangular Pattern

G - 0° Angle, Rectangular Pattern

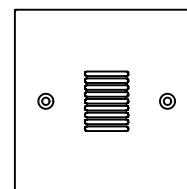
\*Requires magnetic low voltage dimmer.

\*\*Please see Adjust-e-Lume photometry to determine desired intensity.

DATE: \_\_\_\_\_ PROJECT: \_\_\_\_\_ TYPE: \_\_\_\_\_



Pattern D  
(30° Angle,  
Rectangular Pattern)



Pattern G  
(0° Angle,  
Rectangular Pattern)

**LOUVER OPTIONS**

**STANDARD FINISHES**



[Click Here](#) to view larger, full-color swatches of all available finishes on our website.

**PREMIUM FINISHES**

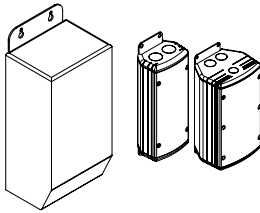


# LOUVERED SQUARE VERSA STAR LED (JUNCTION BOX)

IP65 RATED

DATE:	PROJECT:	TYPE:
-------	----------	-------

ACCESSORIES (Configure separately)



TR Series

UPMRM

## SPECIFICATIONS

ELECTRICAL	WATTAGE	5W LED
	ADJUST-E-LUME	Integral electronics allows dynamic lumen response at the individual fixture. Indexed (100% to 25% nom.) lumen output. Maintains output at desired level or may be changed. Specify factory preset output intensity.
	WIRING	Teflon® coated, 18AWG, 600V, 250° C rated and certified to UL 1659 standard.
	REMOTE TRANSFORMER	For use with 12VAC remote transformer or magnetic transformers only. B-K Lighting cannot guarantee performance with third party manufacturers' transformers.
PHYSICAL	MATERIALS	Furnished in copper-free aluminum (6061-T6), brass (360) or stainless steel (304).
	BACK BOX	Rectangular, 4-5/8" x 2-7/8" deep, cast aluminum construction. Front access for wire connection and inspection. Provided with five (5) 1/2" NPS tapped holes and four (4) plugs. Suitable for concrete pour.
	FACEPLATE	Fully machined from solid billet. Countersunk holes provide for flush hardware mounting with two (2) tamper-resistant, stainless steel mounting screws. 1/8" thick HT-805A silicone foam gasket with acrylic adhesive for water-tight seal. Accommodates one (1) lens or louver media.
	LOUVERS	Louver pattern is machined into faceplate.
	LENS	Shock resistant, tempered, glass lens is factory adhered to faceplate.
	LED	Integrated solid state system and modular design with electrical disconnects allow for easy field upgrade and maintenance. High power, forward throw source complies with ANSI C78.377 binning requirements and exceeds ENERGY STAR® lumen maintenance requirements. LM-80 certified components. Integral, constant current driver. 12VAC/VDC input. 50/60Hz. Proprietary input control scheme achieves power factor correction and eliminates inrush current (limited to <250mA non-dimming). Output, overvoltage, open-circuit, and short circuit protected. Conforms to Safety Std. C22.2 No. 250.13-12.
	DIMMING	Line voltage dimmable via magnetic low voltage dimmer with dedicated neutral conductor. Remote magnetic transformer with LED loads should be loaded to 25% of the transformer VA (watts) rated value.
	OPTICS	Interchangeable OPTIKIT modules permit optical field changes. Color-code: Spot (SP) = green; Medium Flood (MFL) = yellow; Flood (FL) = blue.
	AIMING & CONTROL	Adjustable optical bracket provides up to 24° vertical aiming.
	HARDWARE	Tamper-resistant, stainless steel hardware. Faceplate screws are black oxide treated for additional corrosion resistance.
	FINISH	StarGuard, our 15-stage chromate-free process cleans and conversion coats aluminum components prior to application of Class 'A' TGIC polyester powder coating and is RoHS compliant. Powder coat or metal finish options available for brass material and metal finish option only for stainless steel material.
	WARRANTY	5-year limited warranty.
	CERTIFICATION & LISTING	ITL tested to IESNA LM-79. UL Listed. Certified to CAN/CSA/ANSI Standards. RoHS compliant. Suitable for indoor or outdoor use, in wet locations, and for installation within 4' of the ground. IP65 Rated. Made in the USA with sustainable processes.



**B-K LIGHTING**

**MADE IN THE USA**

559.438.5800 | INFO@BKLIGHTING.COM | BKLIGHTING.COM

# LAMP & DRIVER DATA (e100, e101, e102, e103)

DATE: \_\_\_\_\_ PROJECT: \_\_\_\_\_ TYPE: \_\_\_\_\_

CATALOG NUMBER LOGIC: \_\_\_\_\_

DRIVER DATA	Input Volts	InRush Current	Operating	Dimmable	Operation Ambient Temperature
	12VAC/DC 50/60Hz	<250mA (non-dimmed)	500mA	Magnetic Low Voltage Dimmer	-22°F-194°F (-30°C - 90°C)

LM79 DATA				L70 DATA		OPTICAL DATA	
BK No.	CCT (Typ.)	CRI (Typ.)	Input Watts (Typ.)	Minimum Rated Life (hrs.) 70% of initial lumens (L <sub>70</sub> )		Angle	Delivered Lumens
e100	2700K	80	5	50,000		13°	33
	2700K	80	5	50,000		16°	32
	2700K	80	5	50,000		23°	29
	2700K	80	5	50,000		31°	29
e101	3000K	80	5	50,000		13°	34
	3000K	80	5	50,000		16°	33
	3000K	80	5	50,000		23°	29
	3000K	80	5	50,000		31°	29
e102	4000K	80	5	50,000		13°	38
	4000K	80	5	50,000		16°	37
	4000K	80	5	50,000		23°	33
	4000K	80	5	50,000		31°	33
e103	Amber (590nm)	~	5	50,000		~	~

OPTICS	
Optic	Angle
NSP - Narrow Spot	13°
SP - Spot	16°
MFL - Medium Flood	23°
WFL - Wide Flood	31°

**B-K LIGHTING**

MADE IN THE USA

559.438.5800 | INFO@BKLIGHTING.COM | BKLIGHTING.COM

THIS DOCUMENT CONTAINS PROPRIETARY INFORMATION OF B-K LIGHTING, INC. AND ITS RECEIPT OR POSSESSION DOES NOT CONVEY ANY RIGHTS TO REPRODUCE, DISCLOSE ITS CONTENTS, OR TO MANUFACTURE, USE OR SELL ANYTHING IT MAY DESCRIBE. REPRODUCTION, DISCLOSURE OR USE WITHOUT SPECIFIC WRITTEN AUTHORIZATION OF B-K LIGHTING, INC. IS STRICTLY FORBIDDEN.