

ALT3

ARCHITECTURAL AREA/SITE

Altitude®

FEATURES

- Elegant form factor
- High performance optics up to 51,543 delivered lumens
- Diffusion lens for low glare comfort
- NX lighting controls options
- IP66 Rated



CONTROL TECHNOLOGY



SPECIFICATIONS

CONSTRUCTION

- One piece die-cast, low copper (<0.6% Cu) Aluminum Alloy 360 with vents and .100" minimum wall thickness.
- Separate internal driver compartment rated for IP66 ingress protection.
- Finish: fade and abrasion resistant, electrostatically applied, thermally cured, triglycidal isocyanurate (TGIC) polyester powdercoat.
- Optional lens is impact resistant 1/8" tempered glass with anti-reflective coating.
- Lens has a one-piece extruded vulcanized silicone gasket.
- Lens frame one piece die-cast, low copper (<0.6% Cu) Aluminum Alloy 360 and .100" minimum wall thickness.
- Lens frame has a one-piece O-ring extruded vulcanized silicone gasket.
- Mid-frame one piece die-cast, low copper (<0.6% Cu) Aluminum Alloy 360 and .100" minimum wall thickness.
- Mid-frame secures to Lens Frame and housing by stainless steel recessed Allen-head screws.
- Silicone gaskets throughout.
- All external fasteners are stainless steel.

OPTICS

- LEDs mount to a metal printed circuit board assembly (MCPCB.)
- Optical lenses are clear injection molded PMMA acrylic.
- Optional Backlight Control on each LED module to completely control unwanted backlight.
- Optional fixture finish optical surfaces will not exceed BUG ratings of the standard white finish and will be greater than or equal to the delivered lumens of the optional matte black optical surface finish.

INSTALLATION

- Fixtures must be grounded in accordance with national, state and/or local electrical codes. Failure to do so may result in serious personal injury.

ELECTRICAL

- Universal voltage, 120 through 277V with a ±10% tolerance. Driver is Underwriters Laboratories recognized.
- High voltage configurations, 347/480. Driver has a 0-10V dimming interface for multi-level illumination options. Driver is Underwriters Laboratories recognized.
- "Thermal Shield", secondary side, thermistor provides protection for the sustainable life of LED module and electronic components.
- Drivers shall have greater than a 0.9 power factor, less than 20% harmonic distortion, and be suitable for operation in -40°C to 40°C ambient environments.

RELATED PRODUCTS

- Ouro Pavilion PGL8

ELECTRICAL (CONTINUED)

- Luminaire are capable of operating at 100% brightness in a 40°C environment. Both driver and optical array have integral thermal protection that will dim the luminaire upon detection of temperatures in excess of 85°C.
- Modular wiring harness in the service area provides user access to the dimming circuitry.
- Optional factory programmed dimming profile.
- Surge protection: 10,000k in parallel, 20,000k in series.
- SF for 120, 277, 347 Line volts. DF for 208, 240, 480 Line volts.
- Wiring: No. 18AWM rated 105°C, wet rating.

(Specifications continued on page 3)

KEY DATA	
Lumen Range	18,765–51,543
Wattage Range	307–387
Efficacy Range (LPW)	53–135
Weight	46.2 lbs 20.95 kg
EPA Front View / Side View	.50 / .98

ALT3

ARCHITECTURAL AREA/SITE

ORDERING GUIDE

Example: ALT3-168L-350-3K7-3-UNV-A34-GTT-CLR

CATALOG #

HOUSING

Housing	LED Engine	CCT / CRI ¹⁴	Distribution	Rotation	Voltage
ALT3 Architectural Area/Site	168L-305 305W, 40,000 lm 168L-350 350W, 45,000 lm 168L-385 385W, 50,000 lm ¹¹ <i>Equivalent</i> ALT180-P70 = 168L-305 ALT240-P35 = 168L-305 ALT240-P70 = 168L-385 ALT300-P35 = 168L-305	AM⁹ Monochromatic Amber 27K8¹² 2700K, 80 CRI 27K9¹² 2700K, 90 CRI 3K7 3000K, 70 CRI 3K8 3000K, 80 CRI 3K9 3000K, 90 CRI 35K8¹² 3500K, 80 CRI 35K9¹² 3500K, 90 CRI 4K7 4000K, 70 CRI 4K8 4000K, 80 CRI 4K9¹² 4000K, 90 CRI 5K7 5000K, 70 CRI 5K8¹² 5000K, 80 CRI 5K9¹² 5000K, 90 CRI	FR Type I/Front Row 2 Type II 3 Type III 4 Type IV 4W Type IV Wide 5QM Type V Square Medium 5QN Type V Square Narrow 5R Type V Rectangular 5W Type V Wide (Round) CL Corner Left CR Corner Right	(Blank) Blank for no rotation L³ Optic rotation left R³ Optic rotation right	UNV 120–277V 347 347V 480 480V

Mounting	Fixture Finish	Control Options	Options	Control Accessories
ASQ Arm Square pole A34 Arm mt 3.3–4.2" OD pole A46 Arm mt 4.5–6.0" OD pole MAF Horizontal Slipfitter 2.375" OD arm SVSF Vertical Slipfitter Mount square for 2" pipe tenon, (2.375" OD) VSF Vertical Slipfitter Mount for 2" pipe tenon, (2.375" OD) WB Wall Bracket for area wall mount	BLS Black Gloss Smooth BLT Black Matte Textured DBS Dark Bronze Gloss Smooth DBT Dark Bronze Matte Textured GTT Graphite Matte Textured LGS Light Grey Gloss Smooth LGT Light Grey Matte Textured PSS Platinum Silver Gloss Smooth VGT Verde Green Matte Textured WHS White Gloss Smooth WHT White Matte Textured Color Option CC² Custom Color	7PR 7 pin PCR, wireless control enabled 7PR-TL 7 pin PCR with twist lock photocontrol 7PR-SC 7 pin PCR with shorting cap AD-01³ AstroDIM: 50% output at midnight AD-02³ AstroDIM: 50% output midnight to 4AM AD-03³ AstroDIM: 50% output 10PM AD-04³ AstroDIM: 50% output 10PM to 4AM NXW^{3,4} NX Networked Wireless Radio Module NXRM2 and Bluetooth Programming, without Sensor SCL-8F Low voltage sensor for 3rd party wireless controls via 7PR. For mounting heights up to 8' ¹⁰ SCL-40F Low voltage sensor for 3rd party wireless controls via 7PR. For mounting heights 9' to 40' ¹⁰ SCP-8F Remote control programmable line voltage sensor, use with SCPREMOTE SCP-40F Remote control programmable line voltage sensor, use with SCPREMOTE NXWS16F^{3,4} NX Networked Wireless Enabled Integral NXSMP2-LMO PIR Occupancy Sensor with Automatic Dimming Photocell and Bluetooth Programming NXWS40F^{3,4} NX Networked Wireless Enabled Integral NXSMP2-HMO PIR Occupancy Sensor with Automatic Dimming Photocell and Bluetooth Programming	BC⁶ Backlight Control SF Single Fuse DF Double Fuse TB Terminal Block CLR Clear Lens HDL⁷ Diffuse Lens CP¹³ Clear Polycarbonate Lens Notes: 1 Not available with 5QM and 5W distributions. 2 Consult factory for custom color, marine and corrosive finish options. 3 Not available with other sensor or wireless control options. 4 Not available in 480V. 6 Not available with Type 5 distributions, CLR, CP, or HDL option. 7 Only available in Type 3 or Type 5W. 9 Turtle friendly. 10 UNV only. 11 See Lumen Multiplier chart on Page 11 for lumen scaling factor 12 IK10 rated. Consult factory for details	SCPREMOTE Remote control for SCP option. Order at least one per project to program and control the occupancy sensor WIR-RME-L wiSCAPE™ External Fixture Module NXOFM-1R1D-UNV NX 7-Pin Twist-Lock® with NX Networked Wireless Radio, Integral Automatic Dimming Photocell, Integral Single Pole Relay with Dimming, and Bluetooth Programming

ALT3

ARCHITECTURAL AREA/SITE

SPECIFICATIONS (CONTINUED)

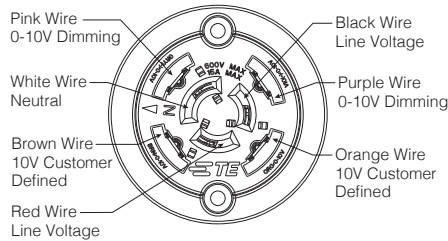
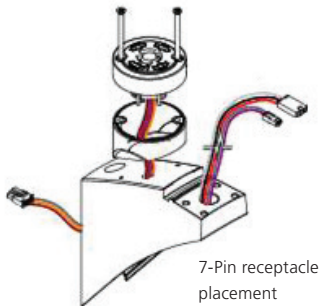
CONTROLS:

7PR

Fully gasketed and wired 7-pin receptacle option. Easy access location above the electrical compartment. 7-pin construction allows for a user-defined interface and provides a controlled definition of operational performance. ANSI twist-lock control module by-others.

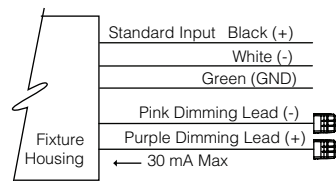
Standard customer operation modes:

1. Traditional on/off photoelectric control.
2. 5-pin wireless photoelectric control for added dimming feature.
3. 7-pin wireless photoelectric control for dimming and additional I/O connections for customer use.



Dimming:

- Dimming range from 100% to 10% through the use of the standard 0-10V interface on the programmable driver.



- Modular wiring harness in the service area provides user access to the dimming circuitry.
- Dimming circuitry compatible with 0-10V, user-defined control devices.
- Optional factory programmed dimming profile.

**Wireless Controls
wiSCAPE™**

wiSCAPE™ wireless control modules allow an individual fixture to managed, monitored and measured. The modules communicate securely over a robust certified meshed radio signal. The wiSCAPE modules provide on/off/dim control, external device input, alerts and metering.

WIR-RME-L

wiSCAPE External Module,120-480V, 1000ft range (LOS), Internal Photocell, 1 Digital Input, Compatible with the A-25-7H option

NX Lighting Controls

NX Lighting Controls platform utilizes a Distributed Network Architecture (DNA) that connects intelligent devices including luminaires, controllers, panels, occupancy sensors, photocells, wall switches and dimmers, creating a system with an unmatched level of reliability, scalability and simplicity

Round Pole-Mounted Occupancy Sensor up to 30'. Select voltage and finish color.

SCH-R

Round Pole-Mounted Occupancy Sensor: up to 30' - an outdoor occupancy sensor with 0-10V interface dimming control that mounts directly to the pole. Wide 360° pattern. Module colors are available in Black, Gray, and White. Module is cut for round pole mounting. Pole diameter is needed upon order. Poles to be drilled in the field will be provided with installation instructions.

Ordering Example: SCH-R4⁴/277²/BL³

Square Pole-Mounted Occupancy Sensor up to 30'. Select voltage and finish color.

SCH-S

Square Pole-Mounted Occupancy Sensor: up to 30' - an outdoor occupancy sensor with 0-10V interface dimming control that mounts directly to the pole. Wide 360° pattern. Module colors are available in Black, Gray, and White. Module is cut for round pole mounting. Pole diameter is needed upon order. Poles to be drilled in the field will be provided with installation instructions.

Ordering Example: SCH-S/277²/BL³

AstroDIM

AstroDIM provides multi-stage night-time power reduction based on an internal timer referenced to the power on/off time. There is no need for an external control infrastructure. The unit automatically performs a dimming profile based on the predefined scheduled reference to the midpoint, which is calculated based on the power on/off times.

Optional Fusing:

SF for 120, 277, and 347 Line volts
DF for 208, 240, and 480 Line volts
High temperature fuse holders factory installed inside the fixture housing.
Fuse is included.

CAUTION:

Fixtures must be grounded in accordance with national, state and/or local electrical codes. Failure to do so may result in serious personal injury.

- Listed to UL1598 and CSA C22.2#250.0-24 for wet locations and 40°C ambient temperatures.
- ANSI C136.31-2010 Vibration tested and compliant 1.5G and 4G reference page 9
- IEC 66262 Mechanical Impact Code IK08 and IK10.
- RoHS compliant.
- IP65 and IP66 Rated, please contact factory for further information
- Listed to UL1598 and CSA C22.2#250.0-24 for wet locations and 40°C ambient temperatures.

SPECIFICATIONS (CONTINUED)

Certifications and Listings:

- ANSI C136.31-2010 Vibration tested and compliant 1.5G and 3G reference page 10
- IP65 rated with lens, IP66 rated with non-lens version
- IEC 66262 Mechanical Impact Code IK08 and IK10
- IDA approved, 3000K and warmer CCTs only.
- DLC® (DesignLights Consortium) Qualified, with some Premium Qualified configurations. Please refer to the DLC website for specific product qualifications at www.designlights.org

WARRANTY

- 5 year warranty

Mounting:

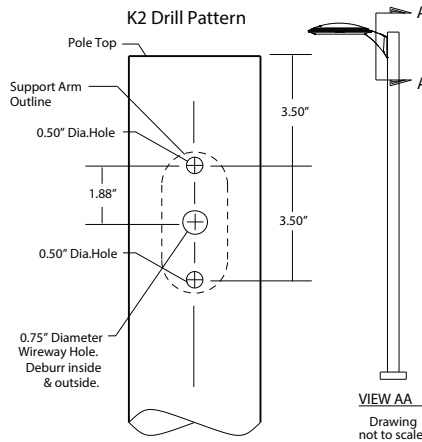
Support Arm:

- Die-cast, low copper aluminum alloy, with splice access cover.
- Die-cast pole adapter and an internal reinforcing plate are provided with a wire strain relief.
- The arm adapter is square or circular cut for specified pole size and shape.
- For field wire connections, a terminal block is mounted in the arm cavity and accessible behind the splice access cover. The block accepts #14 to #8 wire sizes and is factory prewired to the electrical

module's quick-disconnect plug inside the electrical compartment.

Optional Wall Mount:

- Optional, cast aluminum mounting plate attaches to a wall over a junction box and the speed mount is bolted to the cover plate. To complete the wiring, the luminaire assembly slides over the mounting plate.



PRODUCT EXCEPTIONS & DETAILS

Configuration			EPA
	1SA	1 Arm Side Mount	0.98
	2SL	2 Arm Side Mount	1.48
	2SB	2 Arm Side Mount	1.96
	3SY	3 Arm Side Mount	2.20

Configuration			EPA
	3ST*	3 Arm Side Mount	2.46
	4SC	4 Arm Side Mount	2.46
	1W	Single Wall Mount	n/a
	MAF	Horizontal Slipfitter	n/a

ALT3

ARCHITECTURAL AREA/SITE

DELIVERED LUMENS

LEDs #	Nominal Watts	Nominal Lumens	Lens Options	Distribution	3000K 70CRI				4000K 70CRI				5000K 70CRI						
					Lumen	BUG Rating			lm/w	Lumen	BUG Rating			lm/w	Lumen	BUG Rating			lm/w
						B	U	G			B	U	G			B	U	G	
168L	305	40,000	No Lens	FR	38736	3	0	2	126	40772	3	0	2	133	41318	3	0	2	135
				FR-BC	23115	1	0	1	75	24330	1	0	2	79	24656	1	0	2	81
				2	35485	3	0	4	116	37350	3	0	4	122	37850	3	0	4	123
				2-BC	19884	1	0	2	65	20930	1	0	2	68	21210	1	0	2	70
				3	36532	3	0	5	119	38452	3	0	5	125	38967	3	0	5	127
				3-BC	18765	1	0	3	61	19752	1	0	3	64	20016	1	0	3	66
				4	36767	2	0	5	120	38700	3	0	5	126	39218	3	0	5	128
				4-BC	21935	1	0	4	71	23088	1	0	4	75	23397	1	0	4	77
				4W	36699	3	0	5	120	38628	3	0	5	126	39146	3	0	5	128
				4W-BC	16647	1	0	3	54	17522	1	0	3	57	17757	1	0	3	59
				5R	37941	5	0	5	124	39935	5	0	5	130	40470	5	0	5	132
				5QM	38191	5	0	3	124	40199	5	0	3	131	40737	5	0	3	133
			5QN	38032	5	0	1	124	40031	5	0	1	130	40567	5	0	1	132	
			5W	37305	5	0	4	122	39266	5	0	4	128	39792	5	0	4	130	
			Clear Lens	FR	36230	2	0	2	118	38135	3	0	2	124	38646	3	0	2	126
				2	33190	3	0	4	108	34934	3	0	4	114	35402	3	0	4	115
				3	34169	3	0	5	111	35965	3	0	5	117	36447	3	0	5	119
				4	34389	2	0	5	112	36197	2	0	5	118	36682	2	0	5	119
				4W	34326	3	0	5	112	36130	3	0	5	118	36614	3	0	5	119
				5R	35487	5	0	5	116	37352	5	0	5	122	37853	5	0	5	123
				5QM	35721	5	0	3	116	37599	5	0	3	122	38102	5	0	3	124
				5QN	35572	5	0	1	116	37442	5	0	1	122	37944	5	0	1	124
			HDL Lens	5W	34892	5	0	4	114	36727	5	0	4	120	37218	5	0	4	121
				3	29047	3	0	3	95	30574	4	0	3	100	30983	4	0	3	101
				5W	29662	5	0	3	97	31221	5	0	3	102	31639	5	0	3	103

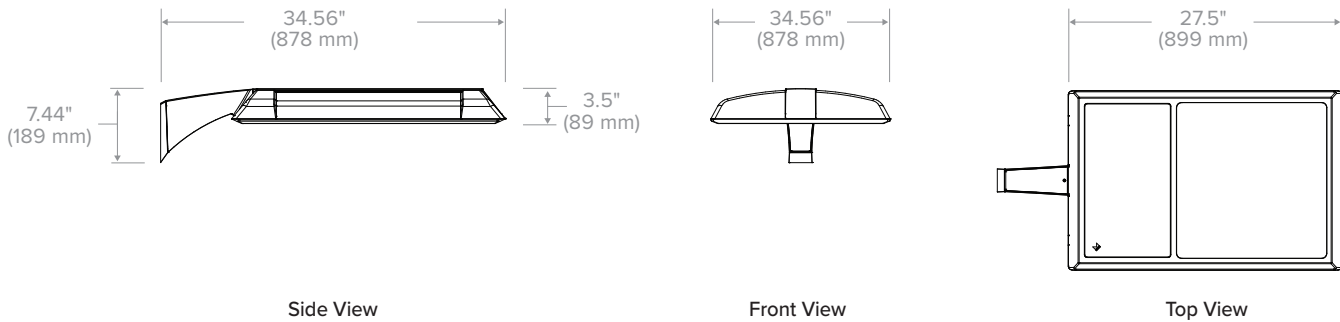
DELIVERED LUMENS (CONTINUED)

LEDs #	Nominal Watts	Nominal Lumens	Lens Options	Distribution	3000K 70CRI				4000K 70CRI				5000K 70CRI						
					Lumen	BUG Rating			lm/w	Lumen	BUG Rating			lm/w	Lumen	BUG Rating			lm/w
						B	U	G			B	U	G			B	U	G	
168L	350	45,000	No Lens	FR	43308	3	0	3	124	45585	3	0	3	131	46195	3	0	3	133
				FR-BC	25844	1	0	2	74	27202	1	0	2	78	27566	1	0	2	79
				2	39673	3	0	4	114	41759	3	0	4	120	42318	3	0	4	122
				2-BC	22232	1	0	3	64	23400	1	0	3	67	23714	1	0	3	68
				3	40844	3	0	5	117	42991	3	0	5	124	43567	3	0	5	125
				3-BC	20980	1	0	4	60	22083	1	0	4	63	22379	1	0	4	64
				4	41107	3	0	5	118	43268	3	0	5	124	43847	3	0	5	126
				4-BC	24524	1	0	4	70	25813	1	0	4	74	26159	1	0	4	75
				4W	41031	3	0	5	118	43188	3	0	5	124	43766	3	0	5	126
				4W-BC	18612	1	0	3	53	19591	1	0	4	56	19853	1	0	4	57
				5R	42419	5	0	5	122	44649	5	0	5	128	45247	5	0	5	130
				5QM	42699	5	0	3	123	44944	5	0	3	129	45546	5	0	4	131
				5QN	42522	5	0	1	122	44757	5	0	1	129	45356	5	0	1	130
				5W	41709	5	0	4	120	43901	5	0	4	126	44489	5	0	5	128
			Clear Lens	FR	40507	3	0	2	116	42637	3	0	3	123	43207	3	0	3	124
				2	37107	3	0	4	107	39058	3	0	4	112	39581	3	0	4	114
				3	38664	3	0	5	111	40697	3	0	5	117	41242	3	0	5	118
				4	38449	3	0	5	110	40470	3	0	5	116	41012	3	0	5	118
				4W	38377	3	0	5	110	40395	3	0	5	116	40936	3	0	5	118
				5R	39676	5	0	5	114	41762	5	0	5	120	42321	5	0	5	122
				5QM	39938	5	0	3	115	42037	5	0	3	121	42600	5	0	3	122
				5QN	39771	5	0	1	114	41862	5	0	1	120	42423	5	0	1	122
			HDL Lens	5W	39011	5	0	4	112	41062	5	0	4	118	41612	5	0	4	120
				3	32720	4	0	3	95	34440	4	0	3	100	34901	4	0	3	101
				5W	34150	5	0	3	99	35945	5	0	3	104	36426	5	0	3	105

DELIVERED LUMENS (CONTINUED)

LEDs #	Nominal Watts	Nominal Lumens	Lens Options	Distribution	3000K 70CRI				4000K 70CRI				5000K 70CRI						
					Lumen	BUG Rating			lm/w	Lumen	BUG Rating			lm/w	Lumen	BUG Rating			lm/w
						B	U	G			B	U	G			B	U	G	
168L	385	50,000	No Lens	FR	48322	3	0	3	125	50862	3	0	3	131	51543	3	0	3	133
				FR-BC	28836	1	0	2	75	30351	1	0	2	78	30758	1	0	2	79
				2	44266	3	0	5	114	46593	4	0	5	120	47217	4	0	5	122
				2-BC	24805	1	0	3	64	26109	1	0	3	67	26459	1	0	3	68
				3	45573	3	0	5	118	47968	3	0	5	124	48611	3	0	5	126
				3-BC	23409	1	0	4	60	24640	1	0	4	64	24969	1	0	4	65
				4	45866	3	0	5	119	48277	3	0	5	125	48924	3	0	5	126
				4-BC	27363	1	0	4	71	28802	1	0	4	74	29187	1	0	4	75
				4W	45781	3	0	5	118	48188	3	0	5	125	48833	3	0	5	126
				4W-BC	20767	1	0	4	54	21859	1	0	4	56	22151	1	0	4	57
				5R	47330	5	0	5	122	49818	5	0	5	129	50485	5	0	5	130
				5QM	47642	5	0	4	123	50147	5	0	4	130	50818	5	0	4	131
			5QN	47444	5	0	1	123	49938	5	0	1	129	50607	5	0	1	131	
			5W	46537	5	0	5	120	48984	5	0	5	127	49640	5	0	5	128	
			Clear Lens	FR	45197	3	0	3	117	47573	3	0	3	123	48210	3	0	3	125
				2	41403	3	0	4	107	43580	3	0	5	113	44163	3	0	5	114
				3	42625	3	0	5	110	44866	3	0	5	116	45467	3	0	5	117
				4	42900	3	0	5	111	45155	3	0	5	117	45759	3	0	5	118
				4W	42820	3	0	5	111	45071	3	0	5	116	45675	3	0	5	118
				5R	44269	5	0	5	114	46596	5	0	5	120	47220	5	0	5	122
				5QM	44561	5	0	3	115	46904	5	0	4	121	47532	5	0	4	123
			HDL Lens	5QN	44376	5	0	1	115	46708	5	0	1	121	47334	5	0	1	122
				5W	43527	5	0	4	112	45816	5	0	5	118	46429	5	0	5	120
				3	36235	4	0	3	94	38140	4	0	3	99	38651	4	0	4	100
5W	37002	5		0	3	96	38947	5	0	3	101	39469	5	0	3	102			

DIMENSIONS



ALT3

ARCHITECTURAL AREA/SITE

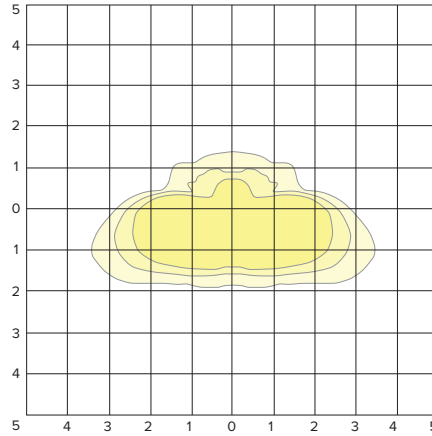
PHOTOMETRY

ALT3-168L-385-4k7-FR

LUMINAIRE DATA

Description	4000K, 70CRI
Delivered Lumens	50862
Watts	387
Efficacy	131.4
IES Type	II
BUG Rating	B3-U0-G3
Mounting Height	30 ft
Grid Scale	30 ft

ISOFOOT CANDLE PLOT



ZONAL LUMEN SUMMARY

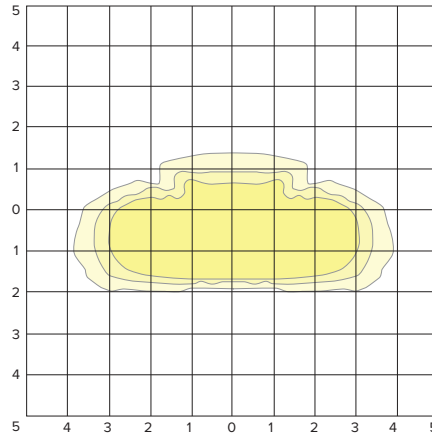
Zone	Lumens	% Luminaire
Downward Street Side	44147	86.8%
Downward House Side	6715	13.2%
Downward Total	50862	100%
Upward Street Side	0	0%
Upward House Side	0	0%
Upward Total	0	0%
Total Flux	50862	100%

ALT3-168L-385-4k7-2

LUMINAIRE DATA

Description	4000K, 70CRI
Delivered Lumens	46593
Watts	387
Efficacy	120.4
IES Type	II
BUG Rating	B4-U0-G5
Mounting Height	30 ft
Grid Scale	30 ft

ISOFOOT CANDLE PLOT



ZONAL LUMEN SUMMARY

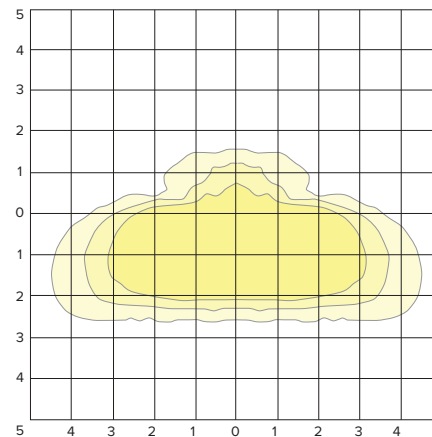
Zone	Lumens	% Luminaire
Downward Street Side	38449	82.5%
Downward House Side	8144	17.5%
Downward Total	46593	100%
Upward Street Side	0	0%
Upward House Side	0	0%
Upward Total	0	0%
Total Flux	46593	100%

ALT3-168L-385-4k7-3

LUMINAIRE DATA

Description	4000K, 70CRI
Delivered Lumens	47968
Watts	387
Efficacy	123.9
IES Type	III
BUG Rating	B3-U0-G5
Mounting Height	30 ft
Grid Scale	30 ft

ISOFOOT CANDLE PLOT



ZONAL LUMEN SUMMARY

Zone	Lumens	% Luminaire
Downward Street Side	41348	86.2%
Downward House Side	6620	13.8%
Downward Total	47968	100%
Upward Street Side	0	0%
Upward House Side	0	0%
Upward Total	0	0%
Total Flux	47968	100%

ALT3

ARCHITECTURAL AREA/SITE

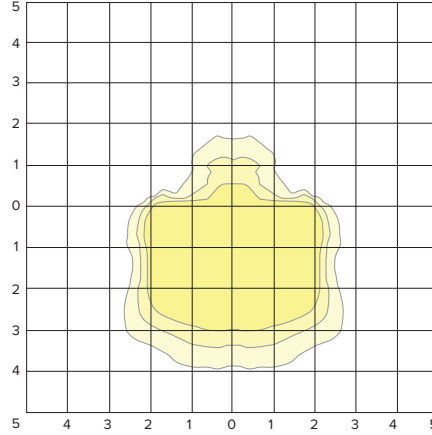
PHOTOMETRY CONTINUED

ALT3-168L-385-4k7-4

LUMINAIRE DATA

Description	4000K, 70CRI
Delivered Lumens	48277
Watts	387
Efficacy	124.7
IES Type	IV
BUG Rating	B3-U0-G5
Mounting Height	30 ft
Grid Scale	30 ft

ISOFOOT CANDLE PLOT



ZONAL LUMEN SUMMARY

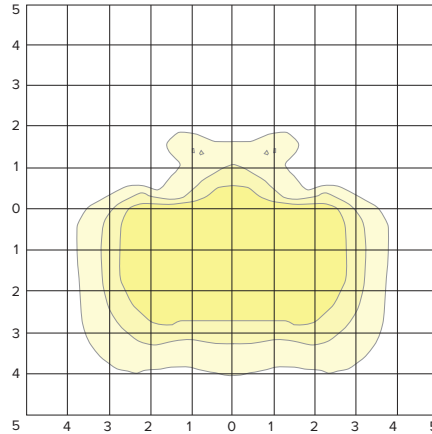
Zone	Lumens	% Luminaire
Downward Street Side	43688	90.5%
Downward House Side	4589	9.5%
Downward Total	48277	100%
Upward Street Side	0	0%
Upward House Side	0	0%
Upward Total	0	0%
Total Flux	48277	100%

ALT3-168L-385-4k7-4W

LUMINAIRE DATA

Description	4000K, 70CRI
Delivered Lumens	48187
Watts	387
Efficacy	124.5
IES Type	IV
BUG Rating	B3-U0-G5
Mounting Height	30 ft
Grid Scale	30 ft

ISOFOOT CANDLE PLOT



ZONAL LUMEN SUMMARY

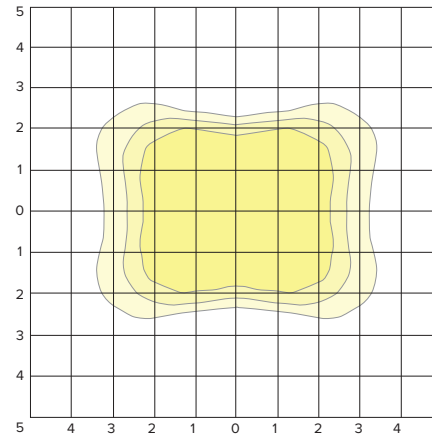
Zone	Lumens	% Luminaire
Downward Street Side	42640	88.5%
Downward House Side	5547	11.5%
Downward Total	48187	100%
Upward Street Side	0	0%
Upward House Side	0	0%
Upward Total	0	0%
Total Flux	48187	100%

ALT3-168L-385-4k7-5R

LUMINAIRE DATA

Description	4000K, 70CRI
Delivered Lumens	49819
Watts	387
Efficacy	128.7
IES Type	III
BUG Rating	B5-U0-G5
Mounting Height	30 ft
Grid Scale	30 ft

ISOFOOT CANDLE PLOT



ZONAL LUMEN SUMMARY

Zone	Lumens	% Luminaire
Downward Street Side	24910	50.0%
Downward House Side	24910	50.0%
Downward Total	49819	100%
Upward Street Side	0	0%
Upward House Side	0	0%
Upward Total	0	0%
Total Flux	49819	100%

ALT3

ARCHITECTURAL AREA/SITE

ALT3-168L-385-4k7-5QM

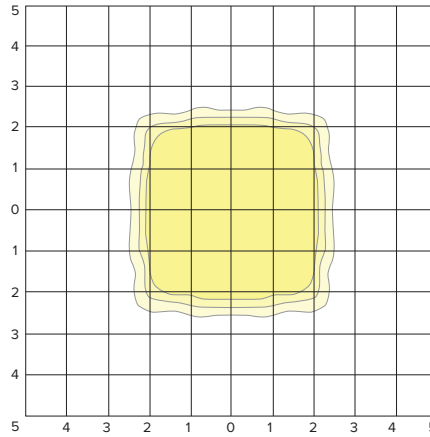
LUMINAIRE DATA

Description	4000K, 70CRI
Delivered Lumens	50148
Watts	387
Efficacy	129.6
IES Type	V
BUG Rating	B5-U0-G4
Mounting Height	30 ft
Grid Scale	30 ft

ZONAL LUMEN SUMMARY

Zone	Lumens	% Luminaire
Downward Street Side	25074	50.0%
Downward House Side	25074	50.0%
Downward Total	50148	100%
Upward Street Side	0	0%
Upward House Side	0	0%
Upward Total	0	0%
Total Flux	50148	100%

ISOFOOT CANDLE PLOT



ALT3-168L-385-4k7-5QN

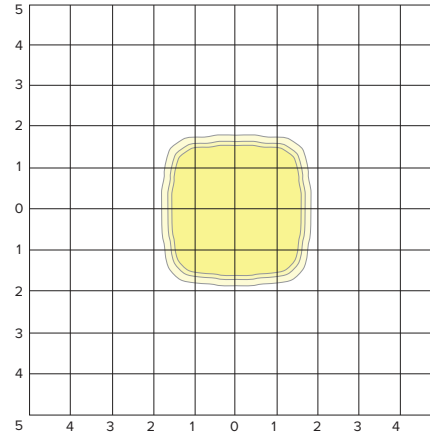
LUMINAIRE DATA

Description	4000K, 70CRI
Delivered Lumens	49938
Watts	387
Efficacy	129.0
IES Type	V
BUG Rating	B5-U0-G1
Mounting Height	30 ft
Grid Scale	30 ft

ZONAL LUMEN SUMMARY

Zone	Lumens	% Luminaire
Downward Street Side	24969	50.0%
Downward House Side	24969	50.0%
Downward Total	49938	100%
Upward Street Side	0	0%
Upward House Side	0	0%
Upward Total	0	0%
Total Flux	49938	100%

ISOFOOT CANDLE PLOT



ALT3-168L-385-4k7-5W

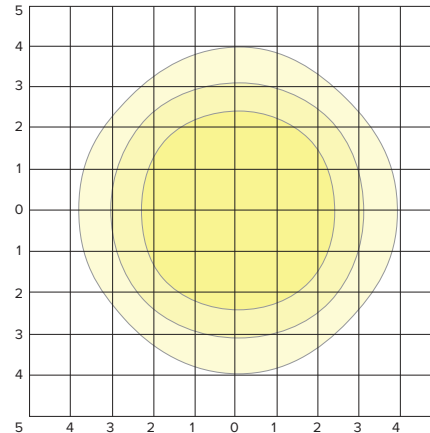
LUMINAIRE DATA

Description	4000K, 70CRI
Delivered Lumens	48984
Watts	387
Efficacy	126.6
IES Type	V
BUG Rating	B5-U0-G5
Mounting Height	30 ft
Grid Scale	30 ft

ZONAL LUMEN SUMMARY

Zone	Lumens	% Luminaire
Downward Street Side	24492	50.0%
Downward House Side	24492	50.0%
Downward Total	48984	100%
Upward Street Side	0	0%
Upward House Side	0	0%
Upward Total	0	0%
Total Flux	48984	100%

ISOFOOT CANDLE PLOT

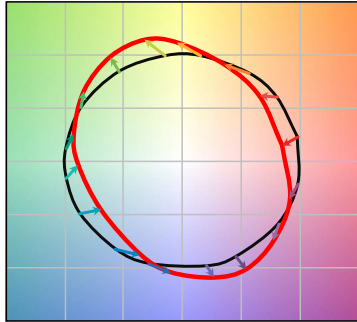


ALT3

ARCHITECTURAL AREA/SITE

TM-30 DATA

COLOR VECTOR GRAPHIC

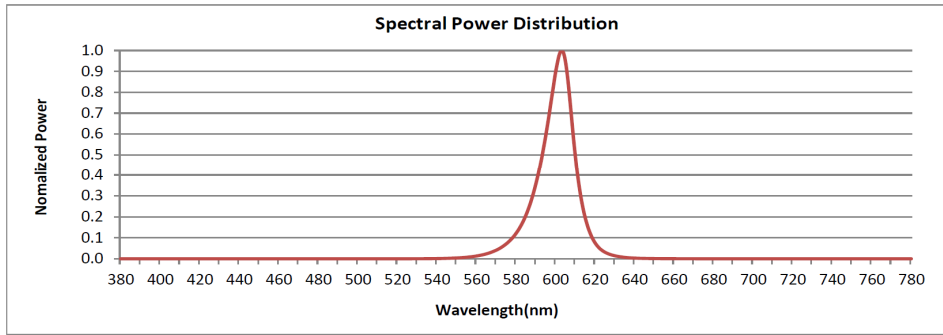
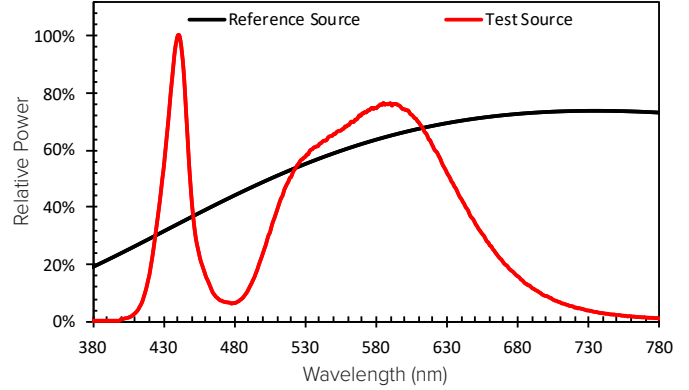


— Reference Illuminant — Test Source

TEST SOURCE

R _t	68
R _g	99
CCT(K)	3947
D _{uv}	0.0004
x	0.3831
y	0.3793
CIE R _a	72

SPECTRAL POWER DISTRIBUTION COMPARISON



ELECTRICAL DATA

Light Engine	System Watts	Drive Current	Electrical								Min. Power Factor	Max THD (%)	Dimming Range	Dimming			
			Line Voltage		Amps AC									Source current out of 0-10V		Absolute voltage range on 0-10V (+)	
			VAC	Hz	120	208	240	277	347	480				Min	Max	Min	Max
168L	307	575 mA	120-480	50/60	2.56	1.48	1.28	1.11	0.88	0.64	>0.9	20	10% to 100%	0mA	1mA	0V	10V
	348	650 mA			2.90	1.67	1.45	1.26	1.00	0.73							
	387	725 mA			3.23	1.86	1.61	1.40	1.12	0.81							

Hours	0	25,000	36,000	50,000	100,000	Reported L70
Projected Lumen Maintenance	100%	93.8%	92.1%	90.0%	83.3%	>60000

CCT	70 CRI	80 CRI	90 CRI
2700K	—	0.859	0.655
3000K	1	0.9119	0.7033
3500K	—	0.906	0.732
4000K	1	0.8941	0.734
5000K	1	0.879	0.7712

VIBRATION RATINGS

ALT 1		ALT 2		ALT 3	
Ordering Code	Rating	Ordering Code	Rating	Ordering Code	Rating
WM	1.5G	WM	1.5G	WM	1.5G
VSF	1.5G	VSF	1.5G	VSF	1.5G
SVSF	1.5G	SVSF	1.5G	SVSF	1.5G
A34	4G	A34	1.5G	A34	1.5
MAF	4G	MAF	4G	MAF	3G