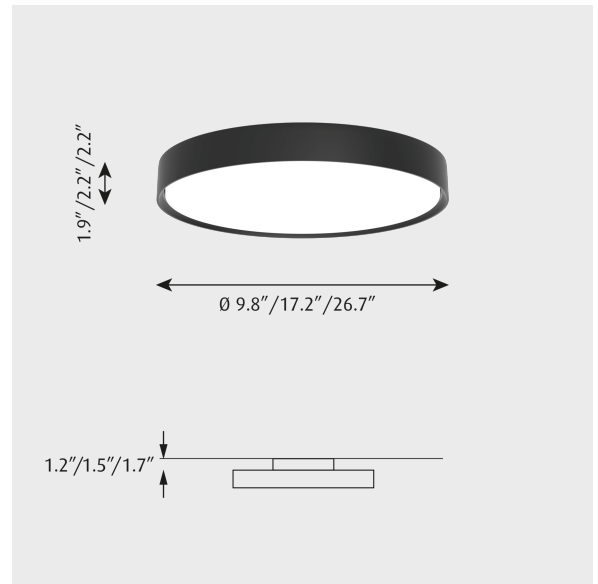


LP SLIM ROUND SURFACE MOUNTED

Project name:

Project type:

Notes:



Design

Louis Poulsen A/S

Product description

A series of low profile, circular luminaires scaling from small to large diameters with a thin metal rim. The diffuser is uniformly illuminated. The top cover has a thin gap at the outer edge for an upward accent glow. The lower, inside edge of the housing is contoured to provide a slight transition from dark to light regions. Part of a family with a range of mounting options. Available in four colors and three sizes.

Variant options

Dimension	Color	Light source	Lumen	Voltage frequency	Shield	Lighting control
17.2 IN	● Black	-	1092	120-277V/60HZ	OPAL	Dali kelvin adjustable
26.7 IN	● Dark aluminium raw	LED 3000K 13W	1114		PRISMATIC	Dim 0-10v
9.8 IN	○ White	LED 3000K 25W	1149			
		LED 3000K 54W	1254			
		LED 3500K 13W	2279			
		LED 3500K 25W	2353			
		LED 3500K 54W	2404			
			2659			
			5861			
			6262			

Specification notes

- a. 9.8 IN size available only in 13W.
- b. 17.2 IN size available only in 25W.
- c. 26.7 IN size available only in 54W.

Light description

Very wide, mostly downward light distribution from the flat diffusing lens. Careful design of LED positioning and modern diffusing materials maximize light transmission while eliminating hot spots and glare. The lower, inside edge of the housing is contoured to provide a slight transition from dark to light regions. The top cover has a thin gap at the outer edge for an upward accent glow. Standard CCT in 3000K or 3500K, controlled by electronic driver.

Mounting

Mounts over a 4" octagonal outlet box. Load-bearing anchors & screws provided by others. The 9.8" and 17.2" sizes mount with three anchors at 120° on a bolt circle of 6.5". The 26.7" size mounts with four anchors at 90° on a bolt circle of 9.5". The diffuser has integral tabs for snap-fit into the housing. Electronic, constant current, class II driver for 120-277V operation and 0-10V dimming control housed inside the canopy.

Information

Electrical:
 System Wattage: 13W, 25W or 54W
 LED Wattage: 12W, 23W, or 50 W
 Delivered lumens: 1,092 - 6,262
 Efficacy: 84.0 lm/W - 116.0 lm/W
 Certifications:
 cULus, Damp Location
 Protection class IP20
 Controllability: 0-10V Dimming
 Color Rendering: Ra≥90

Other functions

Alternative finishes. LED in 2700K, 4000K and 5000K . Alternative dimming controls. Tunable white system for 9.8 IN and 17.2 IN sizes.

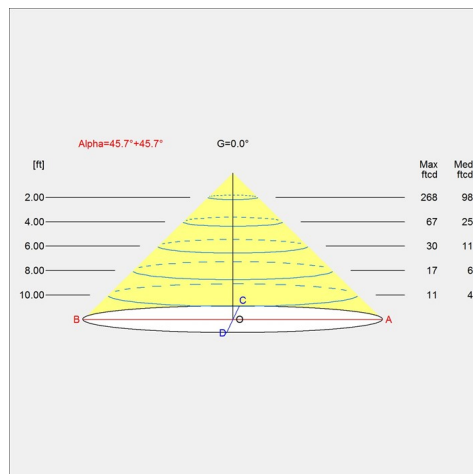
Specification notes

- a. 9.8 IN size available only in 13W.
- b. 17.2 IN size available only in 25W.
- c. 26.7 IN size available only in 54W.
- d. Tunable white available only in white finish.

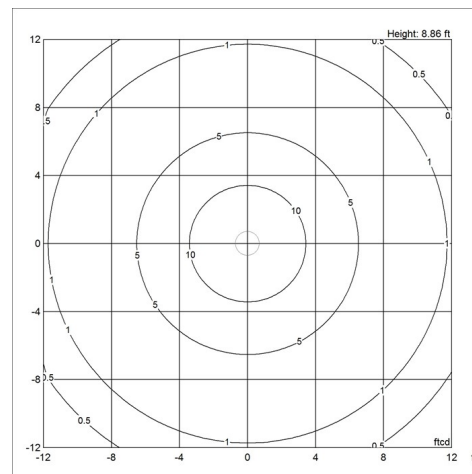
Light distribution diagrams

For the full data set on all variants, see louispoulsen.com.

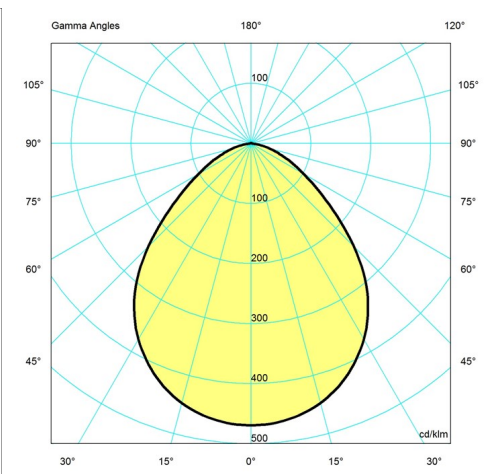
Cartesian



Isolux



Polar



Material

Housing and top cover are cast aluminium, 0.12 IN thick. Mounting brackets are 0.06 IN thick aluminum and steel. Diffuser is white acrylic formulated for high light transmission and diffusion. Materials are UV resistant to prevent fading. Internal reflective panel are white MC-PET polycarbonate, 0.03 IN thick. 17.2 IN and 26.7 IN sizes have a 0.06" stainless steel aircraft-type wire. Standard finish are matte surface powder coat with minimum 2 mils thickness in black, white, and aluminum grey. Dark grey finish is created by chemically treating the aluminum with a protective clear top coat. Alu grey, Dark aluminum, Bk, Wht

Weight

Min: 21.623 lbs Max: 8.686 lbs

Dimensions

17.2 IN, 26.7 IN, 9.8 IN

Finish

Black, Dark aluminium raw, White

Voltage

120-277V/60HZ

Variant options

Dimension	Color	Light source	Lumen	Voltage frequency	Shield	Lighting control	Variant number
17.2 IN	● Black	LED 3000K 25W	2404	120-277V/60HZ	OPAL	Dim 0-10v	10000140930
9.8 IN	● Black	LED 3000K 13W	1092	120-277V/60HZ	OPAL	Dim 0-10v	10000140924
9.8 IN	○ White	LED 3000K 13W	1254	120-277V/60HZ	OPAL	Dim 0-10v	10000140925
9.8 IN	● Black	LED 3500K 13W	1092	120-277V/60HZ	OPAL	Dim 0-10v	10000140927
9.8 IN	○ White	LED 3500K 13W	1254	120-277V/60HZ	OPAL	Dim 0-10v	10000140928
17.2 IN	○ White	LED 3000K 25W	2659	120-277V/60HZ	OPAL	Dim 0-10v	10000140931
17.2 IN	● Black	LED 3500K 25W	2404	120-277V/60HZ	OPAL	Dim 0-10v	10000140933
17.2 IN	○ White	LED 3500K 25W	2659	120-277V/60HZ	OPAL	Dim 0-10v	10000140934
26.7 IN	● Black	LED 3000K 54W	5861	120-277V/60HZ	OPAL	Dim 0-10v	10000140936
26.7 IN	○ White	LED 3000K 54W	6262	120-277V/60HZ	OPAL	Dim 0-10v	10000140937
26.7 IN	● Black	LED 3500K 54W	5861	120-277V/60HZ	OPAL	Dim 0-10v	10000140939
26.7 IN	○ White	LED 3500K 54W	6262	120-277V/60HZ	OPAL	Dim 0-10v	10000140940
17.2 IN	● Dark aluminium raw	LED 3000K 25W	2404	120-277V/60HZ	OPAL	Dim 0-10v	10000151317
17.2 IN	● Dark aluminium raw	LED 3500K 25W	2404	120-277V/60HZ	OPAL	Dim 0-10v	10000151318
26.7 IN	● Dark aluminium raw	LED 3000K 54W	5861	120-277V/60HZ	OPAL	Dim 0-10v	10000151319
26.7 IN	● Dark aluminium raw	LED 3500K 54W	5861	120-277V/60HZ	OPAL	Dim 0-10v	10000151320
9.8 IN	● Dark aluminium raw	LED 3000K 13W	1092	120-277V/60HZ	OPAL	Dim 0-10v	10000151321
9.8 IN	● Dark aluminium raw	LED 3500K 13W	1092	120-277V/60HZ	OPAL	Dim 0-10v	10000151322
9.8 IN	○ White	-	1254	120-277V/60HZ	OPAL	Dali kelvin adjustable	10000153000
17.2 IN	○ White	-	2659	120-277V/60HZ	OPAL	Dali kelvin adjustable	10000153001
9.8 IN	● Black	-	1114	120-277V/60HZ	PRISMATIC	Dali kelvin adjustable	10000154009
9.8 IN	● Dark aluminium raw	-	1114	120-277V/60HZ	PRISMATIC	Dali kelvin adjustable	10000154010
9.8 IN	○ White	-	1149	120-277V/60HZ	PRISMATIC	Dali kelvin adjustable	10000154012
17.2 IN	● Black	LED 3000K 25W	2279	120-277V/60HZ	PRISMATIC	Dim 0-10v	10000154062
17.2 IN	● Dark aluminium raw	LED 3000K 25W	2279	120-277V/60HZ	PRISMATIC	Dim 0-10v	10000154063
17.2 IN	○ White	LED 3000K 25W	2353	120-277V/60HZ	PRISMATIC	Dim 0-10v	10000154065
17.2 IN	● Black	LED 3500K 25W	2279	120-277V/60HZ	PRISMATIC	Dim 0-10v	10000154066
17.2 IN	● Dark aluminium raw	LED 3500K 25W	2279	120-277V/60HZ	PRISMATIC	Dim 0-10v	10000154067
17.2 IN	○ White	LED 3500K 25W	2353	120-277V/60HZ	PRISMATIC	Dim 0-10v	10000154069
17.2 IN	● Black	-	2279	120-277V/60HZ	PRISMATIC	Dali kelvin adjustable	10000154074
17.2 IN	● Dark aluminium raw	-	2279	120-277V/60HZ	PRISMATIC	Dali kelvin adjustable	10000154075
17.2 IN	○ White	-	2353	120-277V/60HZ	PRISMATIC	Dali kelvin adjustable	10000154077
9.8 IN	● Black	LED 3000K 13W	1114	120-277V/60HZ	PRISMATIC	Dim 0-10v	10000154078
9.8 IN	● Dark aluminium raw	LED 3000K 13W	1114	120-277V/60HZ	PRISMATIC	Dim 0-10v	10000154079
9.8 IN	○ White	LED 3000K 13W	1149	120-277V/60HZ	PRISMATIC	Dim 0-10v	10000154081
9.8 IN	● Black	LED 3500K 13W	1114	120-277V/60HZ	PRISMATIC	Dim 0-10v	10000154082
9.8 IN	● Dark aluminium raw	LED 3500K 13W	1114	120-277V/60HZ	PRISMATIC	Dim 0-10v	10000154083
9.8 IN	○ White	LED 3500K 13W	1149	120-277V/60HZ	PRISMATIC	Dim 0-10v	10000154085