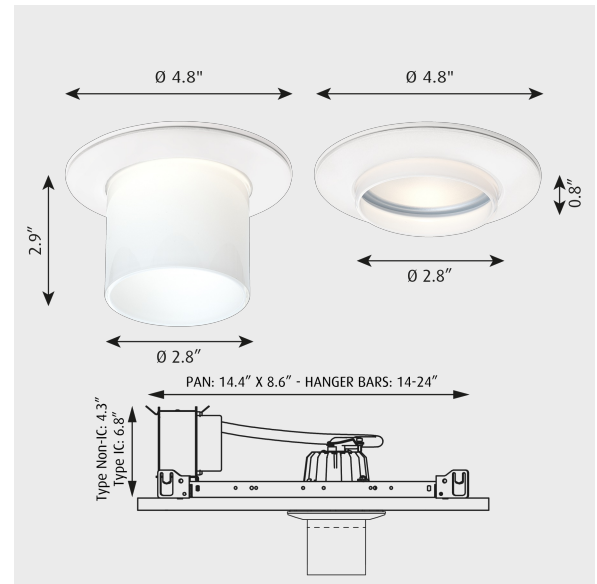


AH MINI

Project name:

Project type:

Notes:



Design

Alfred Homann

Product description

Recessed downlight with distinctive white glass cylinder trim. The 2.8" diameter glass cylinder is handblown, triple-layer of clear and opal white glass that provides soft light for both the ceiling and space. The position of the LED is recessed above the ceiling which significantly reduces the angle of glare. Available in two lengths of the glass creating different lighting effects—short 0.8" and long is 2.9" in length. The AH Mini is part of a family of trims for the Mini downlight series. Interchangeable trims allow for the "look" to be changed periodically—great for hospitality and retail, to get a "refresh-look" at requirements change. Additional trims include the Ballerup Mini and Munkegaard Mini.

Variant options

Mounting	Light source	Lumen	Voltage frequency	Distribution/Trim
Type ic	LED 3000K 14W	1017	120-277V/60HZ	SHORT
Type non-ic	LED 3000K 19W	1064		
	LED 3500K 14W	682		
	LED 3500K 19W	713		
		789		
		825		
		878		
		919		TALL

Specification notes

- a. Type IC variants available only in 14W.
- b. Type Non-IC variants available only in 19W.

Light description

Round symmetrical light distribution with low glare. Reflected light illuminates surrounding ceiling. Recessed LED is above ceiling to reduce angle of direct view. Aluminum reflector with matte finish for flood beam angle. Standard CCT in 3000K and 3500K, controlled by 0-10v driver.

Mounting

Mounting frame with two extendable hanger bars to be installed prior to closing the ceiling. Ceiling types: Type non-IC or Type IC, accessible and non-accessible ceilings. Ceiling cutout: 4.1" diameter. Mounting frame is 14.4" x 8.6". Type Non-IC height above ceiling is 4.3". IC above ceiling height is 6.8". Hanger bar length extends from 14" to 24". Hanger bars fit C-channel or flat bar and include pointed tabs for nail-less installation to wood joists. Junction box allows pass through wiring and has knockouts for 1/2" conduit. Electrical assembly includes LED, heatsink, and electronic LED driver for 120-277V operation and 0-10V dimming control. Heat sink mounted with two retractable tabs actuated by screws driven from below ceiling. Ceiling thickness range from 0.2" to 1.3". Trims attach to the heat sink by two steel snap clips. All Mini trims are interchangeable. Trims are either 0.8" or 2.8" tall glass cylinder and a 4.8" diameter flange.

Information

Electrical:
System Wattage: 14W or 19W
LED Wattage: 13 W or 18 W
Delivered lumens: 682- 1,064
Efficacy: 48 lm/W - 56 lm/W
Certifications:
cULus, Damp Location
Protection class IP20
Controllability: 0-10V Dimming
Color Rendering: Ra≥90

Finish

White

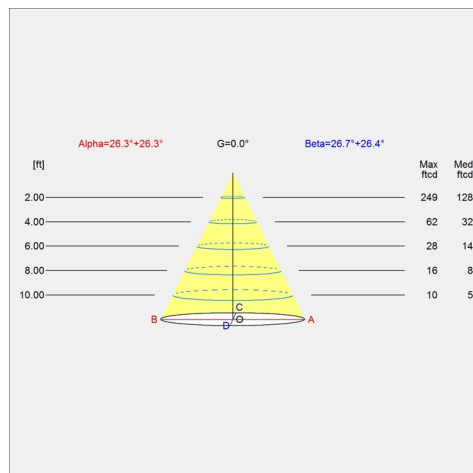
Voltage

120-277V/60HZ

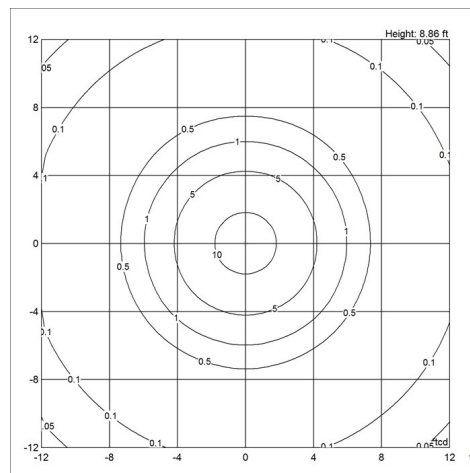
Light distribution diagrams

For the full data set on all variants, see louispoulsen.com.

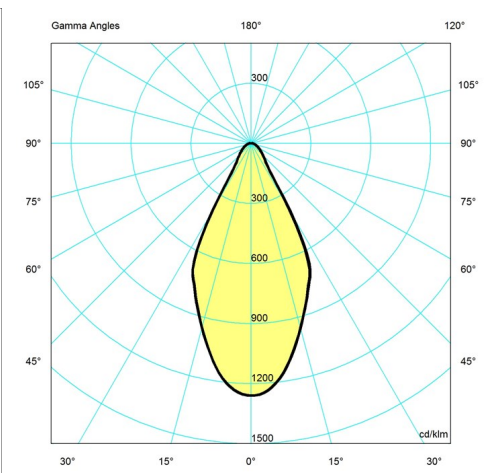
Cartesian



Isolux



Polar



Material

Mounting frame and hanger bars are stamped galvanized steel, 0.04" thick. Heat sink is die cast aluminum with matte black finish. Trim includes stamped aluminum reflector of 0.02" thick, die cast aluminum trim ring, and glass cylinder of three-layered, glossy, opal white, handblown glass 0.2" thick. Standard finish is matte surface powder coat with minimum 2 mils thickness in white.

Weight

Min: 3.801 lbs Max: 7.258 lbs

Other functions

Alternative finishes on trim ring. LED in 2700K, 4000K and 5000K. Alternative dimming controls. Lower Wattages. Tunable white system.

Specification notes

- a. Type IC variants available only in 14W.
- b. Type Non-IC variants available only in 19W.

Variant options

Mounting	Light source	Lumen	Voltage frequency	Distribution/Trim	Variant number
Type non-ic	LED 3500K 19W	919	120-277V/60HZ	TALL	10000131080
Type non-ic	LED 3000K 19W	1017	120-277V/60HZ	SHORT	10000131077
Type non-ic	LED 3500K 19W	1064	120-277V/60HZ	SHORT	10000131078
Type non-ic	LED 3000K 19W	878	120-277V/60HZ	TALL	10000131079
Type ic	LED 3500K 14W	825	120-277V/60HZ	SHORT	10000136949
Type ic	LED 3000K 14W	789	120-277V/60HZ	SHORT	10000136950
Type ic	LED 3000K 14W	682	120-277V/60HZ	TALL	10000136951
Type ic	LED 3500K 14W	713	120-277V/60HZ	TALL	10000136952