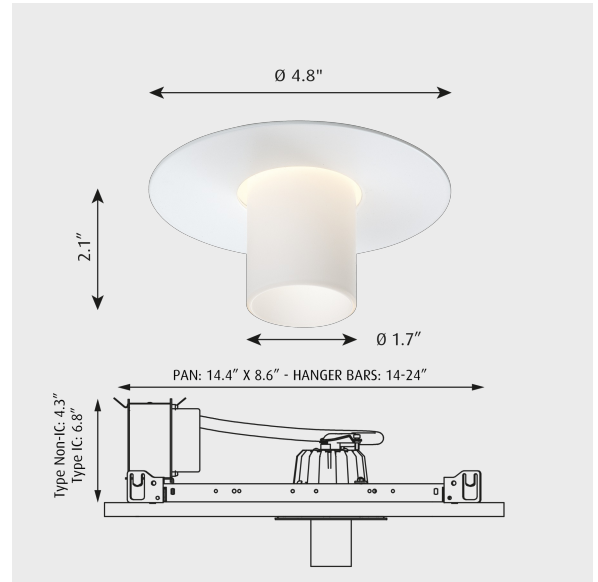


BALLERUP MINI

Project name:

Project type:

Notes:



Design

C. J. Nørgaard Pedersen & P. Hougaard Nielsen

Product description

Recessed downlight with distinctive white glass cylinder trim. The 2.8" diameter glass cylinder is handblown, triple-layer of clear and opal white glass that provides soft light for both the ceiling and space. The position of the LED is recessed above the ceiling which significantly reduces the angle of glare. The Ballerup Mini is part of a family of trims for the Mini downlight series. Interchangeable trims allow for the "look" to be changed periodically—great for hospitality and retail, to get a "refresh-look" at requirements change. Additional trims include the AH Mini and Munkegaard Mini.

Variant options

| Mounting | Light source | Lumen | Voltage frequency |
|-------------|---------------|-------|-------------------|
| Type ic | LED 3000K 14W | 328 | 120-277V/60HZ |
| Type non-ic | LED 3000K 19W | 343 | |
| | LED 3500K 14W | 423 | |
| | LED 3500K 19W | 442 | |

Specification notes

- a. Type IC variants available only in 14W.
- b. Type Non-IC variants available only in 19W.

Light description

Round symmetrical light distribution with low glare. Reflected light illuminates surrounding ceiling. Recessed LED is above ceiling to reduce angle of direct view. Aluminum reflector with matte finish for food beam angle. Standard CCT in 3000K and 3500K, controlled by 0-10v driver.

Mounting

Mounting frame with two extendable hanger bars to be installed prior to closing the ceiling. Ceiling types: Type non-IC or Type IC, accessible and non-accessible ceilings. Ceiling cutout: 4.1" diameter. Mounting frame is 14.4" x 8.6". Type Non-IC height above ceiling is 4.3". IC above ceiling height is 6.8". Hanger bar length extends from 14" to 24". Hanger bars fit C-channel or flat bar and include pointed tabs for nail-less installation to wood joists. Junction box allows pass through wiring and has knockouts for 1/2" conduit. Electrical assembly includes LED, heatsink, and electronic LED driver for 120-277V operation and 0-10V dimming control. Heat sink mounted with two retractable tabs actuated by screws driven from below ceiling. Ceiling thickness range from 0.2" to 1.3". Trims attach to the heat sink by two steel snap clips. All Mini trims are interchangeable.

Information

Electrical:
System Wattage: 14W or 19W
LED Wattage: 13 W or 18 W
Delivered lumens: 328- 442
Efficacy: 26 lm/W - 23 lm/W
Certifications:
cULus, Damp Location
Protection class IP20
Controllability: 0-10V Dimming
Color Rendering: Ra≥90

Finish

White

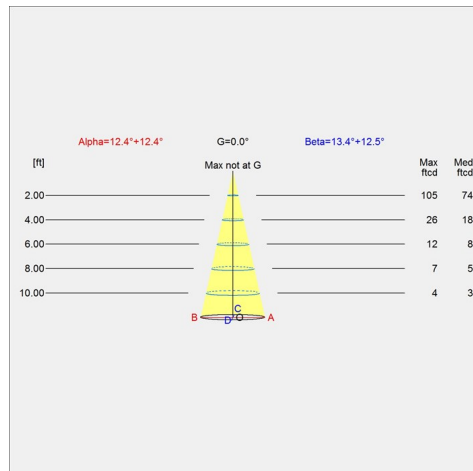
Voltage

120-277V/60HZ

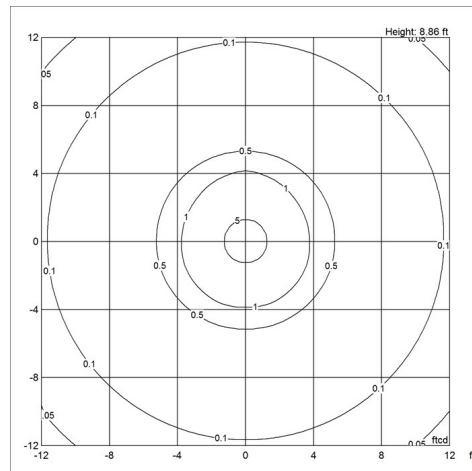
Light distribution diagrams

For the full data set on all variants, see louispoulsen.com.

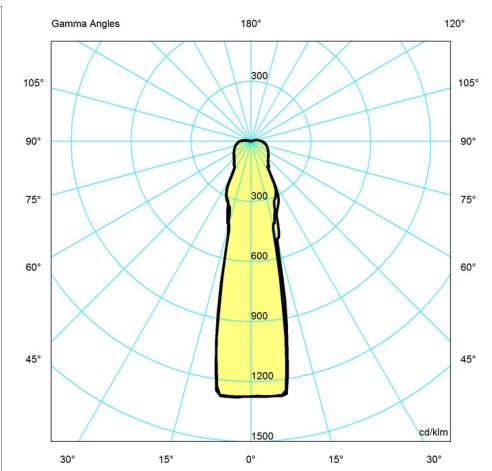
Cartesian



Isolux



Polar



Material

Mounting frame and hanger bars are stamped galvanized steel, 0.04" thick. Heat sink is die-cast aluminum with matte black finish. Trim includes stamped aluminum reflector of 0.02" thick, die cast aluminum trim ring, and glass cylinder of three-layered, glossy, opal white, handblown glass 0.2" thick. Standard finish is matte surface powder coat with minimum 2 mils thickness in white.

Weight

Min: 3.801 lbs Max: 7.218 lbs

Other functions

Alternative finishes. LED in 2700K, 4000K and 5000K . Alternative dimming controls. Lower Wattages. Tunable white system.

Specification notes

- a. Type IC variants available only in 14W.
- b. Type Non-IC variants available only in 19W.

Variant options

| Mounting | Light source | Lumen | Voltage frequency | Variant number |
|-------------|---------------|-------|-------------------|----------------|
| Type non-ic | LED 3000K 19W | 423 | 120-277V/60HZ | 10000131073 |
| Type non-ic | LED 3500K 19W | 442 | 120-277V/60HZ | 10000131074 |
| Type ic | LED 3000K 14W | 328 | 120-277V/60HZ | 10000136955 |
| Type ic | LED 3500K 14W | 343 | 120-277V/60HZ | 10000136956 |