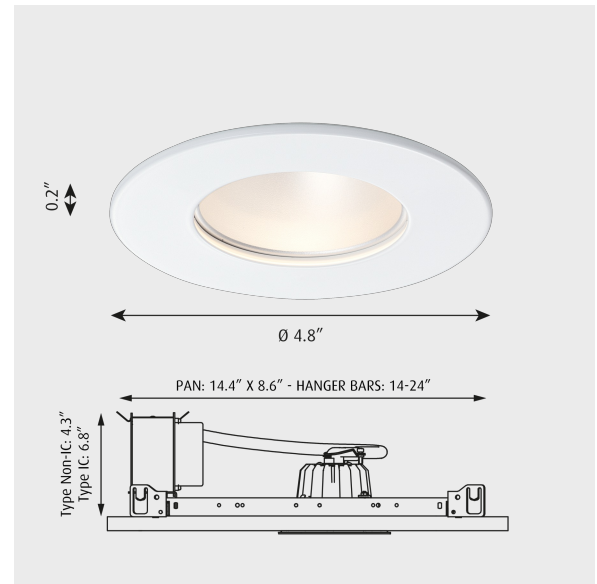


# LP BASIC MINI

**Project name:**

**Project type:**

**Notes:**



## Design

Louis Poulsen A/S

## Product description

Recessed downlight with distinctive flat flanged trim. The position of the LED is recessed above the ceiling which significantly reduces the angle of glare. The LP Basic Mini is part of a family of trims for the Mini downlight series. Interchangeable trims allow for the "look" to be changed periodically—great for hospitality and retail, to get a "refreshing-look" from time to time. Additional trims include the AH Mini, Ballerup Mini and Munkegaard Mini.

## Variant options

Mounting	Light source	Lumen	Voltage frequency
Type ic	LED 3000K 14W	1093	120-277V/60HZ
Type non-ic	LED 3000K 19W	1143	
	LED 3500K 14W	848	
	LED 3500K 19W	887	

## Specification notes

- a. Type IC variants available only in 14W.
- b. Type Non-IC variants available only in 19W.

## Light description

Recessed downlight with distinctive flat flanged trim. The position of the LED is recessed above the ceiling which significantly reduces the angle of glare. The LP Basic Mini is part of a family of trims for the Mini downlight series. Interchangeable trims allow for the “look” to be changed periodically—great for hospitality and retail, to get a “refreshing-look” from time to time. Additional trims include the AH Mini, Ballerup Mini and Munkegaard Mini.

## Mounting

Mounting frame with two extendable hanger bars to be installed prior to closing the ceiling. Ceiling types: Type non-IC or Type IC, accessible and non-accessible ceilings. Ceiling cutout: 4.1” diameter. Mounting frame is 14.4” x 8.6”. Type Non-IC height above ceiling is 4.3”. IC above ceiling height is 6.8”. Hanger bar length extends from 14” to 24”. Hanger bars fit C-channel or flat bar and include pointed tabs for nail-less installation to wood joists. Junction box allows pass through wiring and has knockouts for 1/2” conduit. Electrical assembly includes LED, heatsink, and electronic LED driver for 120-277V operation and 0-10V dimming control. Heat sink mounted with two retractable tabs actuated by screws driven from below ceiling. Ceiling thickness range from 0.2” to 1.3”. Trims attach to the heat sink by two steel snap clips. All Mini trims are interchangeable.

## Information

Electrical:  
System Wattage: 14W or 19W  
LED Wattage: 13 W or 18 W  
Delivered lumens: 848- 1,143  
Efficacy: 60 lm/W - 60 lm/W  
Certifications:  
cULus, Damp Location  
Protection class IP20  
Controllability: 0-10V Dimming  
Color Rendering: Ra≥90

## Finish

White

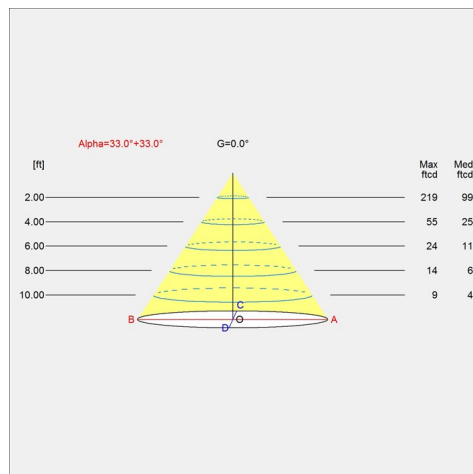
## Voltage

120-277V/60HZ

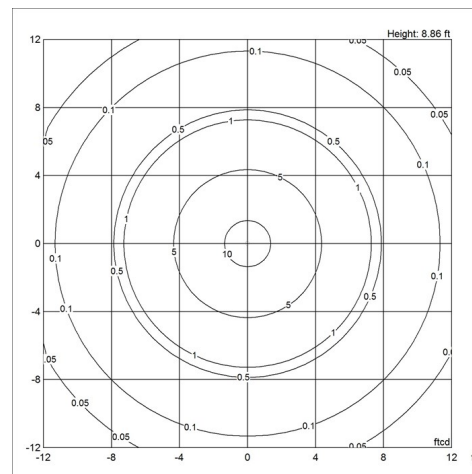
## Light distribution diagrams

For the full data set on all variants, see [louispoulsen.com](http://louispoulsen.com).

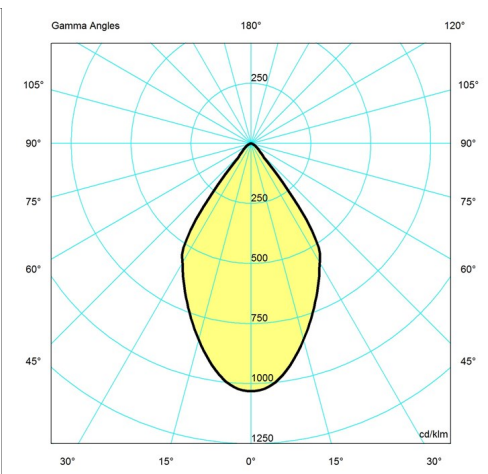
Cartesian



Isolux



Polar



## Material

Mounting frame and hanger bars are stamped galvanized steel, 0.04” thick. Heat sink is die-cast aluminum with matte black finish. Trim includes stamped aluminum reflector of 0.02” thick, die cast aluminum trim ring, Standard finish is matte surface powder coat with minimum 2 mils thickness in white.

## Weight

Min: 3.801 lbs Max: 6.885 lbs

## Other functions

Alternative finishes. LED in 2700K, 4000K and 5000K . Alternative dimming controls. Lower Wattages. Tunable white system.

## Specification notes

- a. Type IC variants available only in 14W.
- b. Type Non-IC variants available only in 19W.

## Variant options

Mounting	Light source	Lumen	Voltage frequency	Variant number
Type non-ic	LED 3000K 19W	1093	120-277V/60HZ	10000131075
Type non-ic	LED 3500K 19W	1143	120-277V/60HZ	10000131076
Type ic	LED 3000K 14W	848	120-277V/60HZ	10000136953
Type ic	LED 3500K 14W	887	120-277V/60HZ	10000136954