

## LC SHUTTERS

Designed by Louise Campbell

---



---

### Description

The fixture emits a primarily downward illumination. The perforated pattern on the shade provides a soft illumination around the fixture. Meanwhile, the perforation helps lighten up the surface of the shade in a decorative way, when it is turned on, thereby maintaining the contour of the fixture, whether it is on or off. The light source is surrounded by an opal diffuser, which ensures that the fixture is 100% glare-free. And finally, the shape of the diffuser allows a beautiful view into the fixture.

---

### Variants

VARIANT NUMBER	COLOR, RAL	W / H / L (IN) / W (LB)
5741913396	WHT, 035	17.3 / 11.8 / 17.3 IN / 8.7 LB

---

### Materials & Finishes

#### MATERIALS

Shade: Spun aluminum, punched and embossed. Suspension: Die cast aluminum. Diffuser ball: handblown matte white opal glass.

#### FINISHES

White, powder coated.

---

# louis poulsen

## Mounting

Cord type: 2-conductor, 18 AWG white PVC power cord. Canopy: White. Cord length: 12'.  
For mounting instructions, see download section on the product detail page.

## Information

Electrical:

System Wattage: 15W

Delivered lumens: 1,521

Efficacy: 101 lm/W

Certifications:

cULus, Damp Location

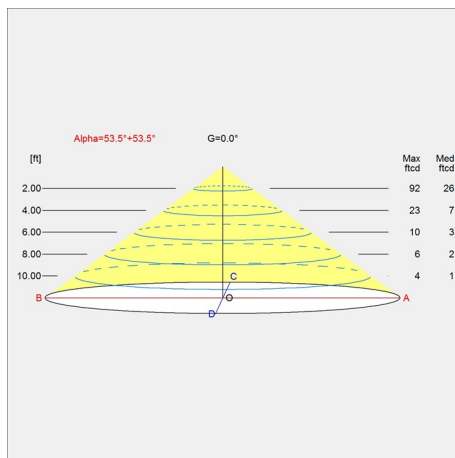
Protection class IP20

Controllability: Phase dimming

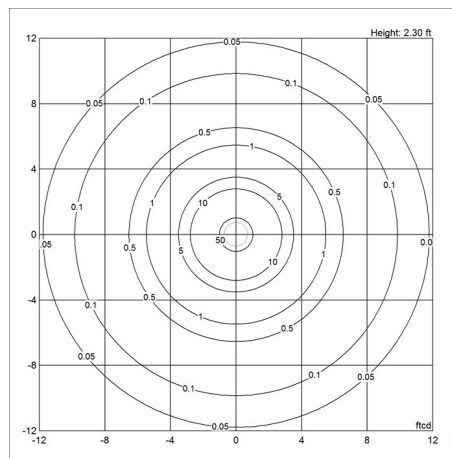
Actual performance dependent upon screw-base lamp used. For the E-socket product variants, bulbs are not included. LED light source is part of the product.

## Light distribution diagrams

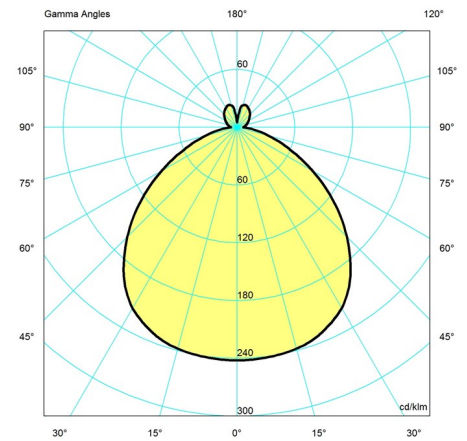
### CARTESIAN



### ISOLUX



### POLAR



## Variant Options

For particular variant options, please check our online Product Variants Configurator on the product detail page.

### VARIANT NO.

5741913396

### LIGHT SOURCE

1x15W E26

### VOLTAGE/FRQ

120V

### LUMEN

1155

### FEATURES

-

### CABLE

White cord