

## PH 3½-3 GLASS PENDANT

Designed by Poul Henningsen

---



---

### Description

The fixture is designed based on the principle of a reflective three-shade system, which directs the majority of the light downwards. The shades are made of hand blown opal three-layer glass, which is glossy on top and sandblasted matte on the underside, giving a soft and uniform light distribution.

---

### Variants

VARIANT NUMBER	COLOR, RAL	W / H / L (IN) / W (LB)
5741919675	BRASS METALLISED	13 / 11.3 / 13 IN / 4.9 LB
5741919976	BLACK METALIZED, 906	13 / 11.3 / 13 IN / 4.9 LB
5741919989	HIGH LUSTRE CHROME PLATED, 900	13 / 11.3 / 13 IN / 4.9 LB

---

### Materials & Finishes

#### MATERIALS

Shades: Hand blown white opal glass. Suspension: Black metalized or high lustre chrome plated, brass.

#### FINISHES

Black metalized or high lustre chrome plated. White opal glass.

---

# louis poulsen

## Mounting

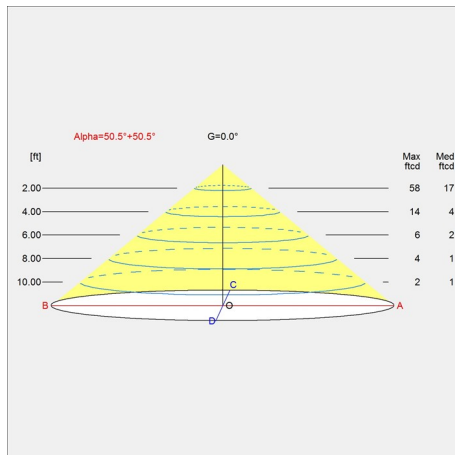
Canopy: Black. Cord type: 3-conductor, 18 AWG black PVC power cord. Cord length: 12'. For mounting instructions, see download section on the product detail page.

## Information

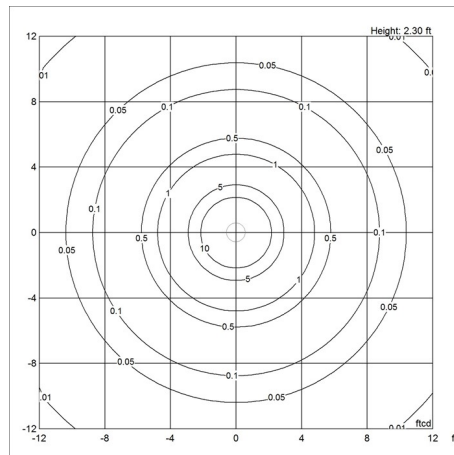
Electrical:  
 System Wattage: 15W  
 LED Wattage: 14 W  
 Delivered lumens: 1,364  
 Efficacy: 90.9 lm/W  
 Certifications:  
 cULus, Dry Location  
 Protection class IP20  
 Controllability: Phase dimming  
 Actual performance dependent upon screw-base lamp used. For the E-socket product variants, bulbs are not included. LED light source is part of the product.

## Light distribution diagrams

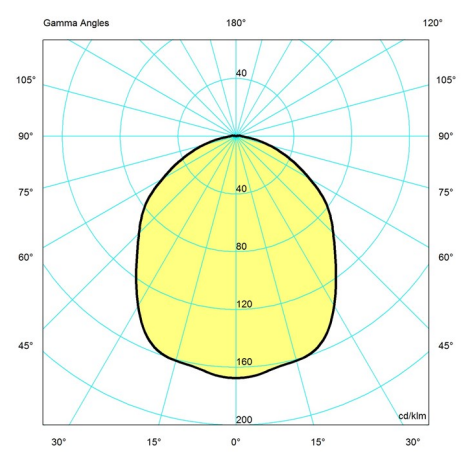
### CARTESIAN



### ISOLUX



### POLAR



## Variant Options

For particular variant options, please check our online Product Variants Configurator on the product detail page.

VARIANT NO.	LIGHT SOURCE	VOLTAGE/FRQ	LUMEN	FEATURES	CABLE
5741919675	1x15W A-19/medium	120V	594	-	White fabric cord
5741919976	1x15W A-19/medium	120V	594	-	Black fabric cord
5741919989	1x15W A-19/medium	120V	594	-	Black fabric cord