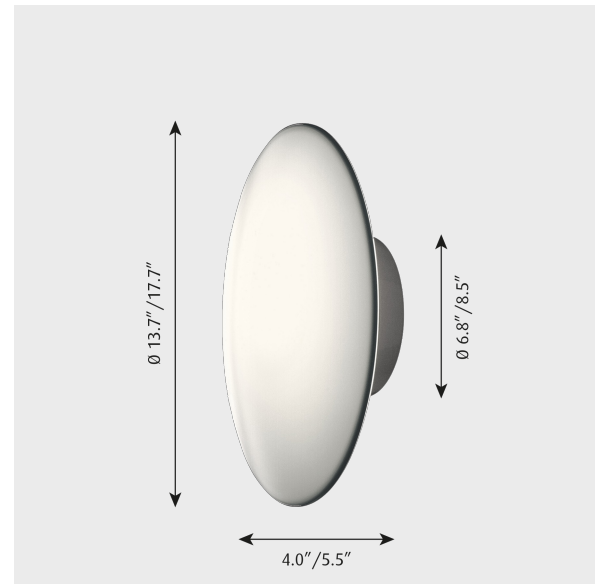


# AJ EKLIPTA OUTDOOR

**Project name:**

**Project type:**

**Notes:**



## Design

Arne Jacobsen

## Product description

Designed by Arne Jacobsen for the Rodovre Town Hall in 1959. It has survived the test of time and is still relevant in many projects today. It is a surface mounted luminaire with a single, handblown circular glass shade that appears as floating. The three-layer opal and clear glass diffuses the light. The transparent edge, providing a decorative halo of light around the fixture. Available in three size—8.7", 17.7" and 13.7". The original incandescent variants may be used in wet locations as well as for phase dimming installations. The LED variants are for dry or damp locations with 0-10V dimming control.

## Variant options

**Dimension**

13.7 IN  
17.7 IN  
8.7 IN

**Light source**

1x100W A-19/IF medium US  
1x40W G9  
1x60W A-19/IF Medium US

**Voltage frequency**

120V

## Specification notes

- a. 8.7 IN size available only in either 10W LED/3000K or 40W T-4/G9 lamping.
- b. 13.7 IN size available in either 10W LED/3000K/DIM 0-10V or 60W/A-19 lamping.
- c. 17.7 IN size available in either 24W LED/3000K/DIM 0-10V or 100W/A-19 lamping. D. Dim 0-10V only available for 13.7 IN and 17.7 IN sizes.

## Light description

The glass shade emits soft, comfortable light. The shade appears brightest at the center and dims radially to the glowing edge of glass. A portion of light is reflected onto the mounting surface for a gradual transition from dark to light, thereby reducing glare. LEDs are standard CCT in 3000K.

## Mounting

Surface: 8.7" variants mount directly onto a 3" or 4" octagonal outlet box. 13.7" variants are anchored directly to the surface over an outlet box with four mounting points at the corners of a 4.2" square. 17.7" variants are anchored directly to the surface over an outlet box with four mounting points at the corners of a 6.0" x 4.3" rectangle. Load-bearing anchors & screws provided by others. All variants may be ceiling or wall mounted.

Incandescent variants may be installed in dry, damp, or wet locations. LED variants may be installed in dry or damp locations. 8.7" and 13.7" sizes meet ADA requirements for less than 4" projection from the wall.

## Information

Electrical:

LED System Wattage: 10W or 24W

LED Wattage: 9W or 22W

Delivered lumens: 371 - 1,937

Efficacy: 37.1 lm/W - 80.7 lm/W

Certifications: cULus, Wet Location (Incandescent variants), Damp location (LED variants)

Protection class IP20

Controllability: 0-10V Dimming, Phase Dimming

Color Rendering: Ra≥90

## Other functions

Alternative housing finishes. Alternative dimming controls for LED variants. LED in 2700K, 4000K and 5000K. Pendant style mounting.

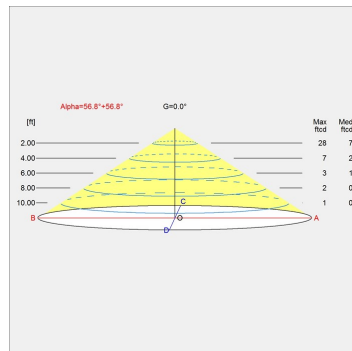
## Specification notes

- a. 8.7 IN size available only in either 10W LED/3000K or 40W T-4/G9 lamping.
- b. 13.7 IN size available in either 10W LED/3000K/DIM 0-10V or 60W/A-19 lamping.
- c. 17.7 IN size available in either 24W LED/3000K/DIM 0-10V or 100W/A-19 lamping.

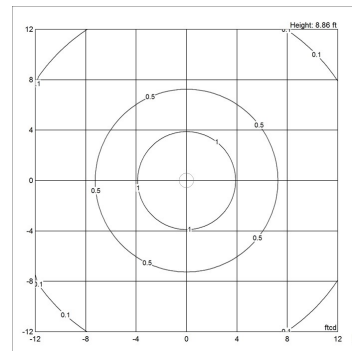
## Light distribution diagrams

For the full data set on all variants, see [louispoulsen.com](http://louispoulsen.com).

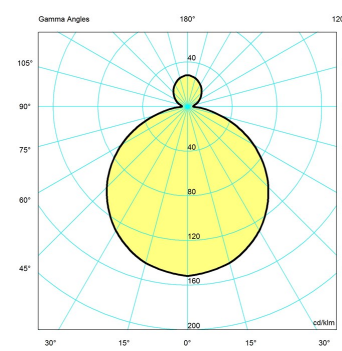
Cartesian



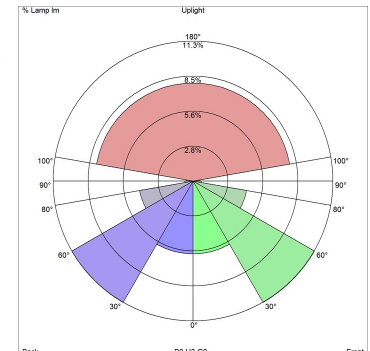
Isolux



Polar



Bug



## Material

Glass shades are three-layered, glossy, opal white, handblown glass 0.2 IN thick. Housings are cast aluminum (8.7") or spun aluminum (13.7" & 17.7"), 0.08" thick, powder coated white. Internal brackets are aluminum, 0.06" thick. Sockets are porcelain. 8.7 IN LED variant has a C. O. B. style LED that takes 120V AC line Voltage directly and is dimmable by leading and forward phase dimming controls, and has a opal white diffusing enclosure. 13.7" and 17.7" sizes have integral electronic constant current, class II driver for 120-277V operation and 0-10V dimming control. Housing finish is matte surface powder coat with minimum 2 mils thickness in white.

## Weight

Min: 1.292 lbs Max: 8.999 lbs

## Dimensions

13.7 IN, 17.7 IN, 8.7 IN

## Finish

White

## Voltage

120V

## Variant options

Dimension	Light source	Voltage frequency	Variant number
13.7 IN	1x60W A-19/IF Medium US	120V	5842905400
8.7 IN	1x40W G9	120V	5743908011
17.7 IN	1x100W A-19/IF medium US	120V	5842905426