

KIPP WALL

Project name:

Project type:

Notes:



Design

Alfred Homann

Product description

A conical-shaped luminaire atop a slender sculpted shaft with three die-cast aluminum arms. Luminaire is sealed by clear IK10 conical lens and features an inner opal diffuser concealing the COB LED Light Engine. Available in graphite or natural aluminum powder coat paint. The Kipp Wall is part of a family which includes a post top and bollard.

Variant options

Color

- Black
- Natural paint aluminum

Light source

- LED 3000K 30W
- LED 4000K 30W

Lumen

- 1013
- 967

Voltage frequency

120-277V/60HZ

Light description

The luminaire emits a glare-free reflected light directed downwards and outwards. The LED is surrounded by a conical opal acrylic diffuser, ensuring a uniform light. Features good, functional and pleasant lighting comfort. Form of the luminaire can be appreciated illuminated at night as well as during the daylight. Available in 3000K and 4000K CCT, controlled by 0-10V dimmable driver.

Mounting

Surface: Mounting plate anchored to wall, centered over junction box. Plate is mounted through three 0.3 inch screw holes on a 9.7 inch circular diameter, spaced 120 degrees apart. Mounting hardware by others.

Information

Electrical:
 System Wattage: 30 W
 LED Wattage: 28 W
 Delivered lumens: 967 lm - 1,013 lm
 Efficacy: 32.2 - 33.8 lm/W
 Certifications:
 cULus, Wet Location
 Protection class IP55
 IK class 10
 BUG Rating: B1-U3-G1
 Controllability: 0-10V Dimming
 Min.-Max. Ambient Temp: -40°C to +40°C
 Color Rendering: Ra≥80

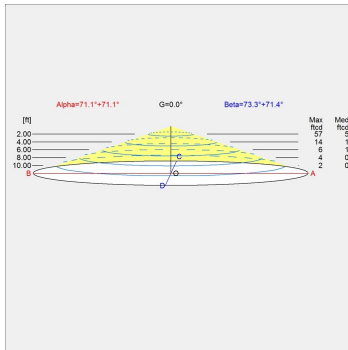
Finish

Black, Natural paint aluminum

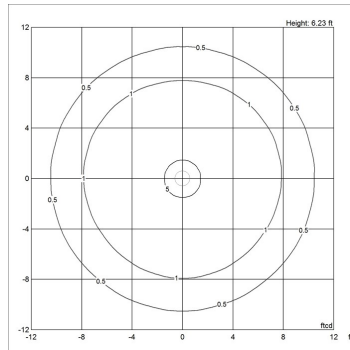
Light distribution diagrams

For the full data set on all variants, see louispoulsen.com.

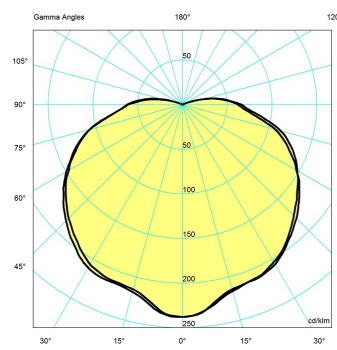
Cartesian



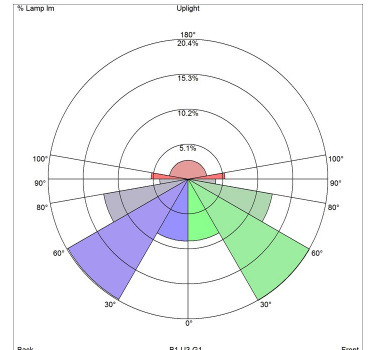
Isolux



Polar



Bug



Material

Diffuser: Injection molded white opal acrylic. Top shade: Die cast aluminum, 0.08" thick. Enclosure: Injection molded clear U. V. stabilized polycarbonate, 0.05" thick. Frame and wall bracket: Die cast aluminum, 0.06" thick. Standard finish are matte, textured surface powder coat with minimum 2 mils thickness in black or natural painted aluminum.

Weight

Min: 13.841 lbs Max: 13.841 lbs

Other functions

LED in 2700K or 3500K. Amber LED available for sea turtle nesting areas. Custom finishes. Custom wall brackets. Alternative dimming controls, including wireless systems.

Voltage

120-277V/60HZ

Variant options

Color	Light source	Lumen	Voltage frequency	Variant number
<input type="radio"/> Natural paint aluminum	LED 3000K 30W	967	120-277V/60HZ	10000127324
<input checked="" type="radio"/> Black	LED 4000K 30W	1013	120-277V/60HZ	10000127325
<input checked="" type="radio"/> Black	LED 3000K 30W	967	120-277V/60HZ	10000127323
<input type="radio"/> Natural paint aluminum	LED 4000K 30W	1013	120-277V/60HZ	10000127326