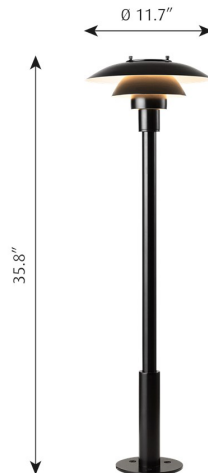


## PH 3-2½ BOLLARD

Designed by Poul Henningsen

---



---

### Description

The fixture is designed based on the principle of a reflective three-shade system, which directs the majority of the light downwards. The shades have a matte white painted interior surface, diffusing the light in a comfortable way.

---

### Variants

VARIANT NUMBER	COLOR, RAL	W / H / L (IN) / W (LB)
10000124039	BLK, 726	11.7 / 35.8 / 11.7 IN / 8.0 LB

---

### Materials & Finishes

#### MATERIALS

Top shade: Spun stainless steel. Middle/lower shade: Spun stainless steel. Shadeholder: Die formed glass. Post: Stainless steel. Base plate: Stainless steel.

#### FINISHES

Black, powder coated.

---

### Mounting

Base plate dimension: 6" diameter. Base plate: Mounted to a concrete base with 3 anchor bolts on a bolt circle of 3.54" diameter. Installation: Refer to mounting instruction download

---

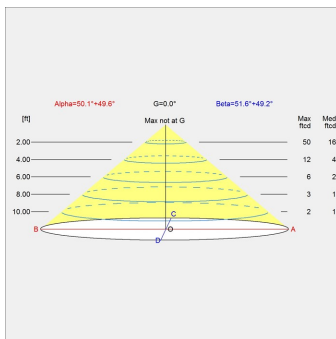
for installation details. For mounting instructions, see download section on the product detail page.

## Information

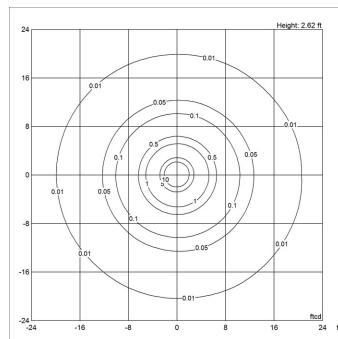
Electrical:  
 Maximum Lamp Wattage: 60W  
 Delivered lumens: 720 lm  
 Efficacy: 12.0 lm/W  
 Certifications:  
 cULus, Wet Location  
 Protection class IP65  
 IK class 05  
 BUG Rating: B0-U3-G1  
 Controllability: Phase dimming. For the E-socket product variants, bulbs are not included.  
 LED light source is part of the product.

## Light distribution diagrams

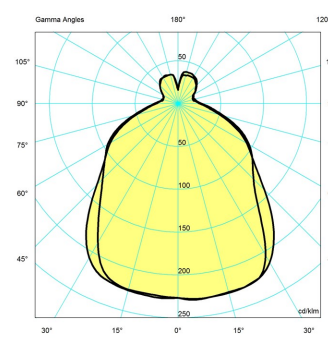
**CARTESIAN**



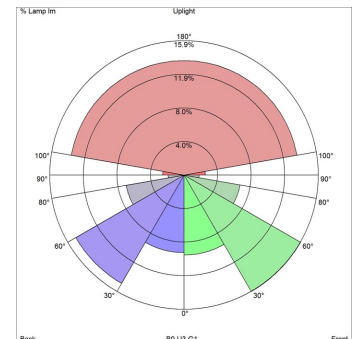
**ISOLUX**



**POLAR**



**BUG**



## Variant Options

For particular variant options, please check our online Product Variants Configurator on the product detail page.

VARIANT NO.	LIGHT SOURCE	VOLTAGE/FRQ	LUMEN	FEATURES	CABLE
10000124039	1x15W A-19/IF Medium US	120V	720	-	-