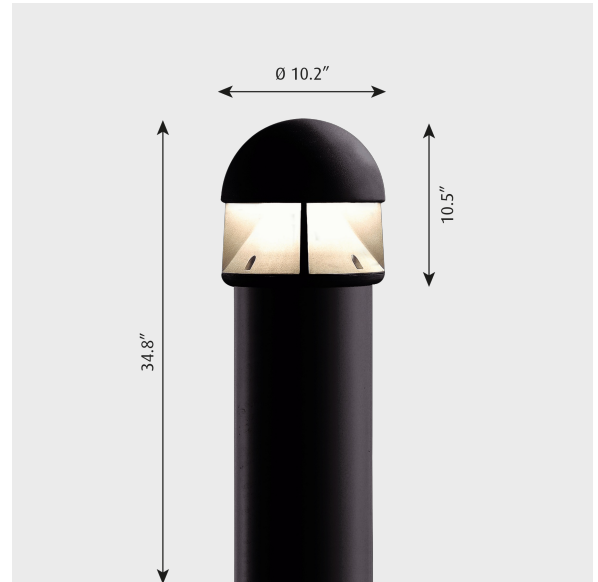


# WATERFRONT

**Project name:**

**Project type:**

**Notes:**

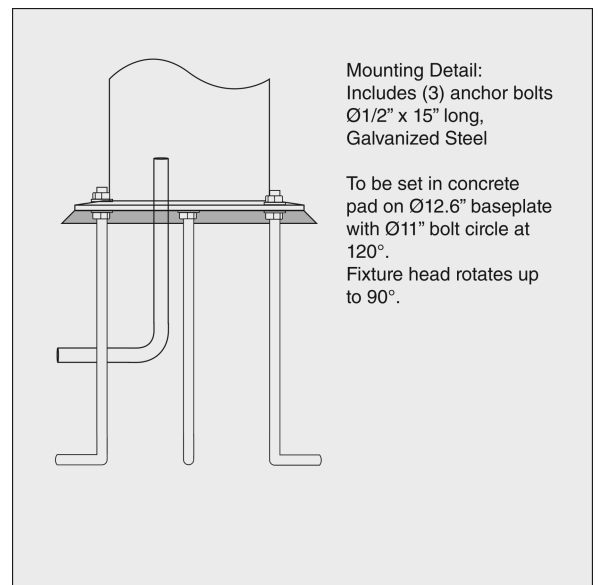


## Design

Dan Borgen Haslov

## Product description

A substantial bollard featuring a domed top over four openings. Tapered, radial fins define quadrants, providing comfortable symmetric light distribution on the ground. The inclined surface, below the dome, reflects light outward to illuminate the surrounding ground. The top section is rotatable to align the light distribution. Fixture head can be purchased separately to be mounted on wood, concrete or steel columns. The rugged Waterfront bollard is ideal for public areas. Available in two colors.



## Variant options

**Color**

- Graphite grey texture
- Natural paint aluminum

**Light source**

-  
LED 4000K 30W

**Lumen**

570  
597

**Voltage frequency**

120-277V/60HZ

## Light description

The luminaire emits symmetrical glare-free light directed downwards and outwards. The LED is located deep within the dome housing, with light emanating from the 4 open quadrants, ensuring a wide band of glare-free, uniform light. Features good, functional and pleasant lighting comfort. Form of the luminaire can be appreciated illuminated at night as well as during the daylight. Standard CCT in 3000K or 4000K, controlled by electronic dimmable driver.

## Mounting

Base plate dimension: 12.6" diameter. Base plate: Mounted to a concrete base with 3 anchor bolts on a bolt circle of 11" diameter. Anchor bolts to be embedded into a concrete foundation by others. Overall height: 34.8 inches.

## Information

Electrical:  
 System Wattage: 30W  
 LED Wattage: 28W  
 Delivered lumens: 570-597 lm  
 Efficacy: 19.0-19.9 lm/W  
 Certifications:  
 cULus, Wet Location  
 Protection class IP65  
 IK class 10  
 BUG Rating: B0-U2-G0  
 Controllability: 0-10V Dimming  
 Min.-Max. Ambient Temp: -40°C to +70°C  
 Color Rendering: Ra≥80  
 Please contact Louis Poulsen for 2700K.

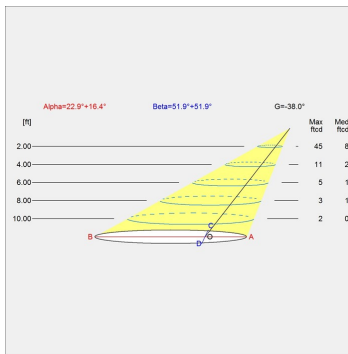
## Finish

Graphite grey texture, Natural paint aluminum

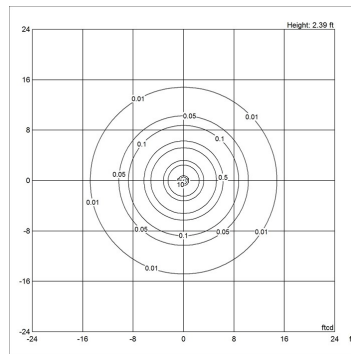
## Light distribution diagrams

For the full data set on all variants, see [louispoulsen.com](http://louispoulsen.com).

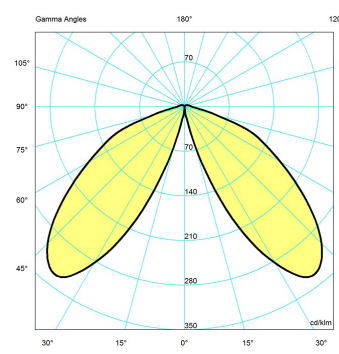
Cartesian



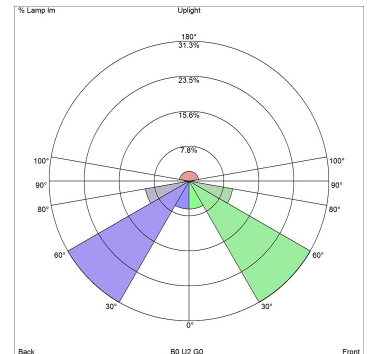
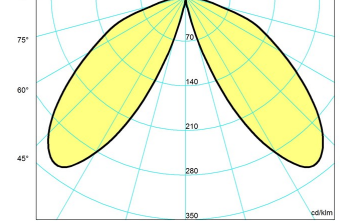
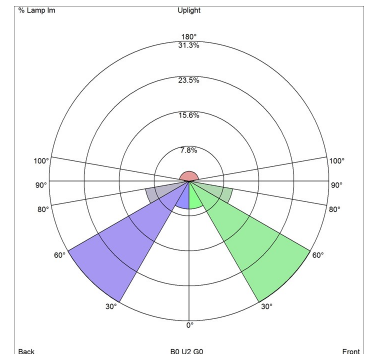
Isolux



Polar



Bug



## Variant options

Color	Light source	Lumen	Voltage frequency	Variant number
<input checked="" type="radio"/> Graphite grey texture	-	570	120-277V/60HZ	10000127315
<input type="radio"/> Natural paint aluminum	-	570	120-277V/60HZ	10000127317
<input type="radio"/> Natural paint aluminum	LED 4000K 30W	597	120-277V/60HZ	10000127318
<input checked="" type="radio"/> Graphite grey texture	LED 4000K 30W	597	120-277V/60HZ	10000127316