

HOMANN PARK

Project name:

Project type:

Notes:



Design

Alfred Homann

Product description

Low profile, offset mounted post top with simple geometry. Direct view of custom LED array for increased lumen intensity. LEDs are recessed into the luminaire and surrounded by a wide, opal polycarbonate reflector to reduce glare at wider viewing angles. Opal acrylic rings on top and bottom rim are self-illuminating and create visible accent to the surroundings. Entire electrical assembly is accessed without removing the luminaire from the pole. Available in one color, in high or low intensity, in Type III and Type V distributions, and as Dark Sky compliant (BUG rating U=0).



Variant options

Light source	Lumen	Distribution/Trim	Shade	Transition to pole	Lighting control
LED 3000K 19W	1824	T3	No Uplight	TAPER-5 IN-2.4 IN	Dim 0-10v
LED 3000K 37W	1954	T5	Uplight	T-DRA-5 IN-3 IN	St nema
LED 4000K 19W	1956				
LED 4000K 37W	1962				
	2096				
	2102				
	3209				
	3213				
	3438				
	3443				
	3451				
	3470				
	3698				

Light description

Custom LED board provides downward directed light with the choice of either Type III or Type V distribution. Compact array of LEDs with standard lenses combined with glare reducing wide opal reflector. Features functional light with high performance. Glow of optional opal acrylic rings allows luminaire form to be appreciated at night. Standard CCT in 3000K or 4000K, controlled by electronic dimmable driver.

Mounting

Mounts onto either dual round aluminum (DRA-5IN-3IN) with provided tenon or directly on tapered aluminum (TAPER-5IN-2.4IN) pole. Slip fits directly onto pole top of 2.4 inch diameter by 3.0 inch depth.

Information

Electrical:
System Wattage: 19W or 37W
LED Wattage: 17 W or 35 W
Delivered lumens: 1,824 - 3,698
Efficacy: 96.0 lm/W - 99.9 lm/W
Certifications:
cULus, Wet Location
Protection class IP65
IK class 09
BUG Rating: B1-U0-G1; B1-U1-G1; B1-U0-G0; B1-U1-G0
Controllability: 0-10V Dimming
Min.-Max. Ambient Temp: -40°C to +55°C
Color Rendering: Ra≥80
Wind Load EPA: 0.6 sq ft

Finish

Natural paint aluminum

Material

Housing and cover are die-cast aluminum. Reflector and accent rings are injection molded, UV stabilized opal acrylic, 0.14 inch thick. Lens is clear, UV stabilized polycarbonate, 0.12 inch thick. Hardware is high quality stainless steel.
Standard finish is matte, textured surface powder coat with minimum 2 mils thickness in natural painted aluminum.

Weight

Min: 11.021 lbs Max: 3.007 lbs

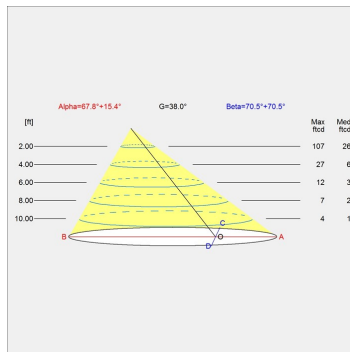
Other functions

LED in 2700K or 3500K. Amber LED available for sea turtle nesting areas. Easily modified at the factory for Smart City controls, NEMA socket, photosensor, or other wireless controls. Surge protector with 10,000 Amp current rating. Uplight option (BUG Rating U=2). Mounting onto other pole diameters. Custom finishes.

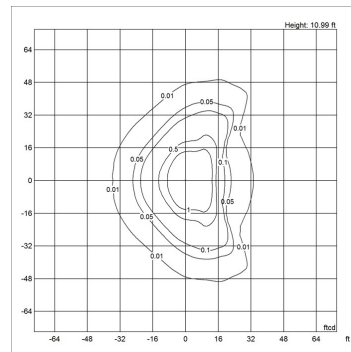
Light distribution diagrams

For the full data set on all variants, see louispoulsen.com.

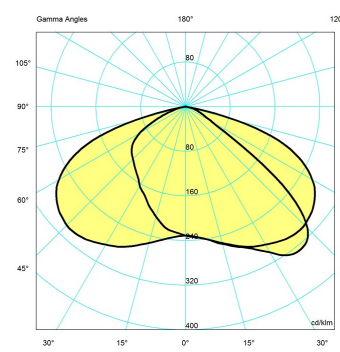
Cartesian



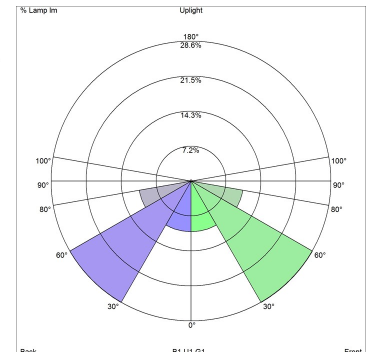
Isolux



Polar



Bug



Variant options

Light source	Lumen	Distribution/Trim	Shade	Transition to pole	Lighting control	Variant number
LED 3000K 19W	1824	T3	Uplight	TAPER-5 IN-2.4 IN	Dim 0-10v	5747921023
LED 4000K 19W	1954	T3	Uplight	TAPER-5 IN-2.4 IN	Dim 0-10v	5747921036
LED 3000K 19W	1962	T5	Uplight	TAPER-5 IN-2.4 IN	Dim 0-10v	5747921049
LED 4000K 19W	2102	T5	Uplight	TAPER-5 IN-2.4 IN	Dim 0-10v	5747921052
LED 3000K 19W	1824	T3	No Uplight	TAPER-5 IN-2.4 IN	Dim 0-10v	5747921065
LED 4000K 19W	1954	T3	No Uplight	TAPER-5 IN-2.4 IN	Dim 0-10v	5747921078
LED 3000K 19W	1956	T5	No Uplight	TAPER-5 IN-2.4 IN	Dim 0-10v	5747921081
LED 4000K 19W	2096	T5	No Uplight	TAPER-5 IN-2.4 IN	Dim 0-10v	5747921094
LED 3000K 37W	3209	T3	Uplight	TAPER-5 IN-2.4 IN	Dim 0-10v	5747921104
LED 4000K 37W	3438	T3	Uplight	TAPER-5 IN-2.4 IN	Dim 0-10v	5747921117
LED 3000K 37W	3451	T5	Uplight	TAPER-5 IN-2.4 IN	Dim 0-10v	5747921120
LED 4000K 37W	3698	T5	Uplight	TAPER-5 IN-2.4 IN	Dim 0-10v	5747921133
LED 3000K 37W	3213	T3	No Uplight	TAPER-5 IN-2.4 IN	Dim 0-10v	5747921146
LED 4000K 37W	3443	T3	No Uplight	TAPER-5 IN-2.4 IN	Dim 0-10v	5747921159
LED 3000K 37W	3470	T5	No Uplight	TAPER-5 IN-2.4 IN	Dim 0-10v	5747921162
LED 4000K 37W	3470	T5	No Uplight	TAPER-5 IN-2.4 IN	Dim 0-10v	5747921175
LED 3000K 19W	1824	T3	Uplight	T-DRA-5 IN-3 IN	Dim 0-10v	5747921188
LED 4000K 19W	1954	T3	Uplight	T-DRA-5 IN-3 IN	Dim 0-10v	5747921191
LED 3000K 19W	1962	T5	Uplight	T-DRA-5 IN-3 IN	Dim 0-10v	5747921201
LED 4000K 19W	2102	T5	Uplight	T-DRA-5 IN-3 IN	Dim 0-10v	5747921214
LED 3000K 19W	1824	T3	No Uplight	T-DRA-5 IN-3 IN	Dim 0-10v	5747921227
LED 4000K 19W	1954	T3	No Uplight	T-DRA-5 IN-3 IN	Dim 0-10v	5747921230
LED 3000K 19W	1956	T5	No Uplight	T-DRA-5 IN-3 IN	Dim 0-10v	5747921243
LED 4000K 19W	2096	T5	No Uplight	T-DRA-5 IN-3 IN	Dim 0-10v	5747921256
LED 3000K 37W	3209	T3	Uplight	T-DRA-5 IN-3 IN	Dim 0-10v	5747921269
LED 4000K 37W	3438	T3	Uplight	T-DRA-5 IN-3 IN	Dim 0-10v	5747921272
LED 3000K 37W	3451	T5	Uplight	T-DRA-5 IN-3 IN	Dim 0-10v	5747921285
LED 4000K 37W	3698	T5	Uplight	T-DRA-5 IN-3 IN	Dim 0-10v	5747921298
LED 3000K 37W	3213	T3	No Uplight	T-DRA-5 IN-3 IN	Dim 0-10v	5747921308
LED 4000K 37W	3443	T3	No Uplight	T-DRA-5 IN-3 IN	Dim 0-10v	5747921311
LED 3000K 37W	3470	T5	No Uplight	T-DRA-5 IN-3 IN	Dim 0-10v	5747921324
LED 4000K 37W	3470	T5	No Uplight	T-DRA-5 IN-3 IN	Dim 0-10v	5747921337
LED 3000K 37W	3209	T5	Uplight	TAPER-5 IN-2.4 IN	Sr nema	5747921405
LED 3000K 37W	3213	T5	No Uplight	TAPER-5 IN-2.4 IN	Sr nema	5747921418