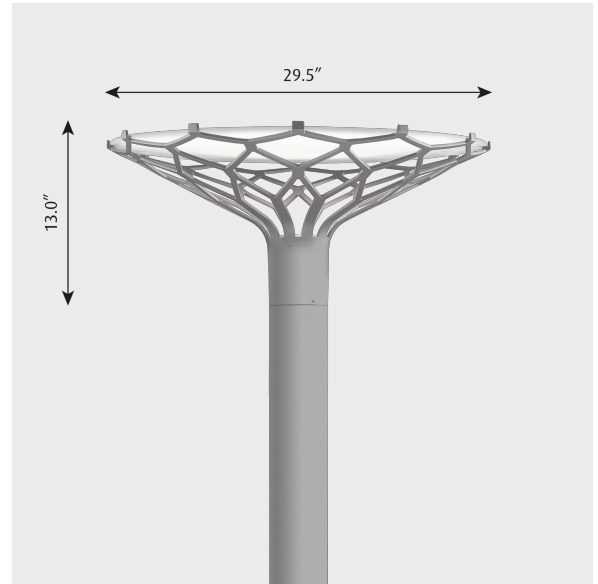


# LP NEST

**Project name:**

**Project type:**

**Notes:**



## Design

Bystrup Architects

## Product description

Low profile conical-shaped luminaire with an open lattice frame and nearly flat top. Inspired by nature, the luminaire balances organic aesthetic, excellent light performance and robust design strength. The modern and subtle appearance blends with all types of architecture styles. The light source is located in the luminaire's base for 100% indirect lighting reflected from the all-white top. Available in two colors.

## Variant options

**Color**

- Graphite grey texture
- Natural paint aluminum

**Light source**

- LED 3000K 40W
- LED 4000K 40W

**Lumen**

- 2941
- 3017
- 3215
- 3298

**Voltage frequency**

120-277V/60HZ

## Light description

The luminaire emits symmetrical glare-free light directed downwards and outwards. The slightly curved, white top ensures a wide band of glare-free, uniform light. Features a high level of vertical light for people to feel safe and comfortable. Features good, functional and pleasant lighting comfort. Form of the luminaire can be appreciated illuminated at night as well as during the daylight. Standard CCT in 3000K or 4000K, controlled by electronic dimmable driver.

## Mounting

Mounts to standard RSA-4.5" poles with an I.D. 4.1" by a die-cast aluminum tenon 0.18" thickness that supports the electronic constant current driver that resides inside the pole.

## Information

Electrical:  
 System Wattage: 40W  
 LED Wattage: 38 W  
 Delivered lumens: 2,941 - 3,298  
 Efficacy: 73.5 lm/W - 82.5 lm/W  
 Certifications:  
 cULus, Wet Location  
 Protection class IP65  
 IK class 09  
 BUG Rating: B1-U3-G1  
 Controllability: 0-10V Dimming  
 Min.-Max. Ambient Temp: -40°C to +85°C  
 Color Rendering: Ra>80  
 Wind Load EPA: 1.7 sq ft  
 Please contact Louis Poulsen for 2700K and more info about supported Light Management Systems.

## Finish

Graphite grey texture, Natural paint aluminum

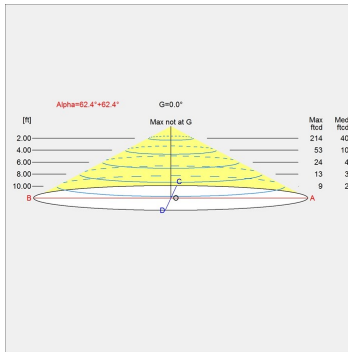
## Voltage

120-277V/60HZ

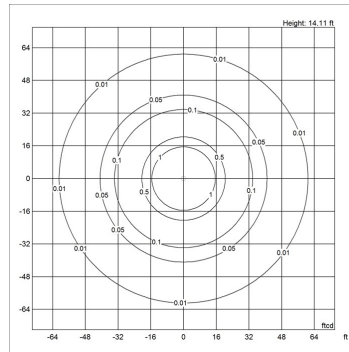
## Light distribution diagrams

For the full data set on all variants, see [louispoulsen.com](http://louispoulsen.com).

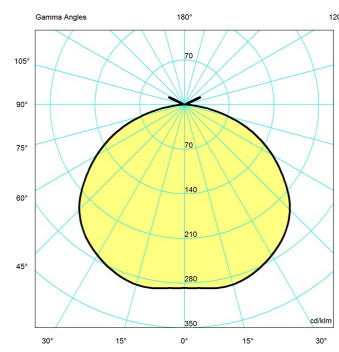
Cartesian



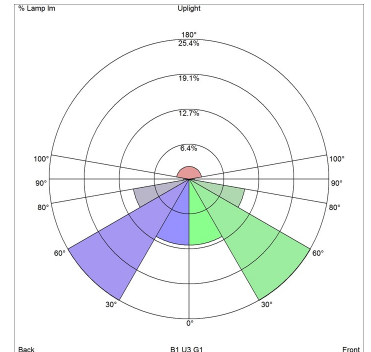
Isolux



Polar



Bug



## Material

Top: Spun aluminum, 0. 10" thick. Frame is a single, die cast aluminum, 0. 20" thick. COB enclosure: Frosted polycarbonate 0. 12" thick, for light uniformity on the top, sealed with silicone gasket. Hardware is high quality stainless steel. Standard finish are matte, textured surface powder coat with minimum 2 mils thickness in graphite grey or natural painted aluminum.

## Weight

Min: 23.069 lbs Max: 23.069 lbs

## Other functions

LED CCT in 2700K, 3500K, and 5000K. Amber LED available for sea turtle nesting areas. LED retrofit kit for incandescent and metal halide products available. Surge protector with 10,000 Amp current rating. Mounting onto other pole diameters. Custom finishes. Alternative dimming controls, including wireless systems.

## Specification notes

Consult factory for product specifications for Photo Sensor and Wireless Control options.

## Variant options

Color	Light source	Lumen	Voltage frequency	Variant number
<input type="radio"/> Natural paint aluminum	LED 3000K 40W	3215	120-277V/60HZ	5747918735
<input checked="" type="radio"/> Graphite grey texture	LED 3000K 40W	2941	120-277V/60HZ	5747918748
<input type="radio"/> Natural paint aluminum	LED 4000K 40W	3298	120-277V/60HZ	5747918751
<input checked="" type="radio"/> Graphite grey texture	LED 4000K 40W	3017	120-277V/60HZ	5747918764