

LP XPERI

Project name:

Project type:

Notes:



Design

Christian Flindt

Product description

Low profile, offset mounted post top with open, geometric design. Direct view of custom LED array for increased lumen intensity. LEDs are recessed into the luminaire and surrounded by an aluminum frame of thin vertical ribs and open slots. The frame is designed to be self-illuminating and create visible accent to the surroundings. Available in one color, in high or low intensity, in Type III and Type V distributions, and as Dark Sky compliant (BUG rating U=0).



Variant options

Mounting	Light source	Lumen	Voltage frequency	Distribution/Trim
Ø60 pole	LED 3000K 66W	7130	120-277V	ASYT3
Ø76 pole	LED 3000K 81W	7168		ASYT3-NUP
	LED 4000K 81W	7197		SQR5
		7377		SQR5-NUP
		7447		
		7458		
		7716		

Light description

Industry leading Advance FastFlex LED boards present LEDs in a wide illuminating panel that is more comfortable than the glare of a single high-powered LED. Individual LED lenses provide downward directed light with the choice of either Type III or Type V distribution. Features functional light with high performance. LEDs are recessed in surrounding aluminum frame to reduce glare at wide viewing angles. Light refraction between the ribs of the aluminum frame create a unique affect. Optional aluminum shroud can be added after installation for a full cutoff (BUG U=0) rating. Standard CCT in 3000K or 4000K, controlled by electronic dimmable driver.

Mounting

Mounts onto either dual round aluminum (DRA-5IN-3IN) with provided tenon or directly on tapered aluminum (TAPER-5IN-2.4IN) pole. Slip fits directly onto pole top of 2.4 inch diameter by 3.0 inch depth.

Information

Electrical:
 System Wattage: 39W or 81W
 LED Wattage: 36W or 75W
 Delivered lumens: 3,772 - 7,582
 Efficacy: 97 lm/W - 94 lm/W
 Certifications:
 cULus, Wet Location
 Protection class IP65
 IK class 10
 BUG Rating: B3-U2-G1 or B3-U0-G1
 Controllability: 0-10V Dimming
 Min.-Max. Ambient Temp: -40°C to +55°C
 Color Rendering: Ra>80
 Wind Load EPA: 1.0 sq ft
 Please contact Louis Poulsen for 2700K and more info about supported Light Management Systems.

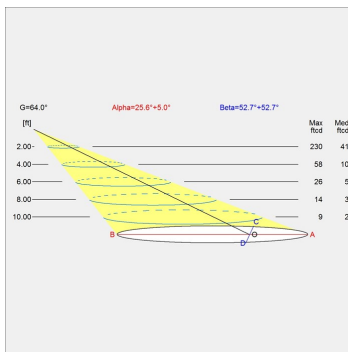
Finish

Natural paint aluminum

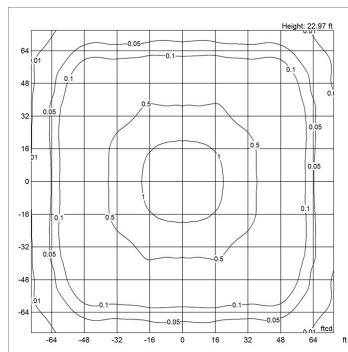
Light distribution diagrams

For the full data set on all variants, see louispoulsen.com.

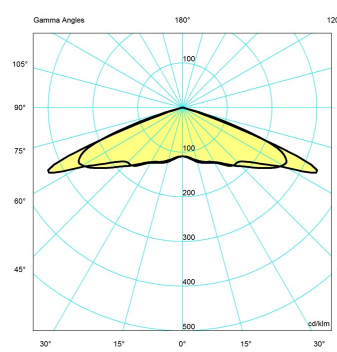
Cartesian



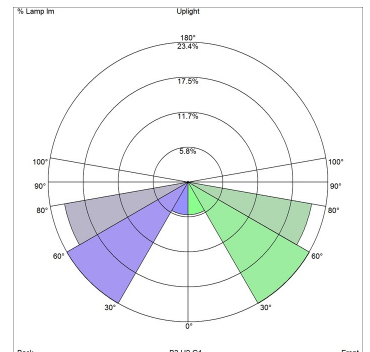
Isolux



Polar



Bug



Material

Housing and top cover are die-cast aluminum. Bottom enclosure is clear, UV stabilized polycarbonate, 0.12 inch thick. Hardware is high quality stainless steel. Optional aluminum shroud is cast aluminum, 0.08 inch thick. Standard finish are matte, textured surface powder coat with minimum 2 mils thickness in natural painted aluminum.

Weight

Min: 17.529 lbs Max: 23.437 lbs

Other functions

LED in 2700K or 3500K. Amber LED available for sea turtle nesting areas. Easily modified at the factory for Smart City controls, NEMA socket, photosensor, or other wireless controls. Surge protector with 10,000 Amp current rating. No uplight option (BUG Rating U=0). Mounting onto other pole diameters. Custom finishes.

Voltage

120-277V

Variant options

Mounting	Light source	Lumen	Voltage frequency	Distribution/Trim	Variant number
Ø76 pole	LED 3000K 81W	7197	120-277V	SQR5	5747929562
Ø60 pole	LED 3000K 81W	7197	120-277V	SQR5	5747929575
Ø76 pole	LED 4000K 81W	7447	120-277V	SQR5	5747929588
Ø60 pole	LED 4000K 81W	7447	120-277V	SQR5	5747929591
Ø76 pole	LED 3000K 66W	7130	120-277V	SQR5-N/UP	5747929601
Ø60 pole	LED 3000K 66W	7130	120-277V	SQR5-N/UP	5747929614
Ø76 pole	LED 4000K 81W	7377	120-277V	SQR5-N/UP	5747929627
Ø60 pole	LED 4000K 81W	7377	120-277V	SQR5-N/UP	5747929630
Ø76 pole	LED 3000K 81W	7458	120-277V	ASYT3	5747929643
Ø60 pole	LED 3000K 81W	7458	120-277V	ASYT3	5747929656
Ø76 pole	LED 4000K 81W	7716	120-277V	ASYT3	5747929669
Ø60 pole	LED 4000K 81W	7716	120-277V	ASYT3	5747929672
Ø76 pole	LED 3000K 81W	7168	120-277V	ASYT3-N/UP	5747929685
Ø60 pole	LED 3000K 81W	7168	120-277V	ASYT3-N/UP	5747929698