

Project: _____ TYPE: _____

Product Features

- Wet Location listed, housed in a durable silicone sleeve with no cracking or yellowing
- Tight on-center LED spacing with dedicated 2700K chip for precise color
- 15mm wide with 3oz copper trace for standard heat dissipation
- Provided with factory-applied 3M VHB adhesive tape on the back of the sleeve for quick application
- Factory-installed lead wires
- Dimmable with DMX protocol (see power supply pages for options)
- DMX Controllable and compatible with Tivoli's CUEpro software
- Low Voltage (24V DC)
- IP67 rated
- 3-year warranty



Order Specification Guide

PRODUCT CODE	INTENSITY	INSTALL	LENGTH	VOLTAGE
TPLC	RGBW	O		24
TPLC = TivoTape Color Changing	RGBW = Red, Green, Blue, White (2700K)	O = Outdoor	MR = Max Run (leave blank for factory cut)	24 = 24V DC

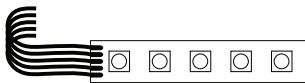


TivoTape Run Lengths & End Preps
 Please specify length of run with quantity of run(s) and end prep type at time of ordering.
 Note: Only (1) end prep needed for each run (see page 19)

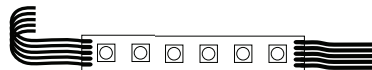
Specifications

Electrical	
Input Voltage	24V DC
Dimming	DMX
Power Supply	Class 2
Wire Size (End Prep)	22 AWG, 5 Wire
Power Consumption	5.3W/ft
Color Temperature (CCT)	RGB+W (2700K)
Lumen Output	260 (Total On)
Physical	
LED Package	3535
Cut Increments	2.46" (non-field cuttable - Factory prep only)
LEDx/ft (RGB)	29
LEDs/ft (White 2700K)	29
Pixel Spacing/in	0.4
Operating Temperature	-13°F (-25°C) ~ 104°F (40°C)
Max Run Length	18'
Copper Trace	3oz.
Adhesive	3M VHB Tape
Dimension	19/32" (15mm)
Performance	
Lumen Maintenance (L70) Hours	60,000
Binning Tolerance	2 Step MacAdam Elipse
Warranty	3 Years
Certification and Testing	
Certification	cULus
Environment	Wet Location
IP Rating	IP67

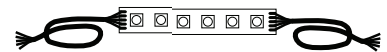
Power Leads and Jumpers (factory installed)



TPLC-RGBW-O-LEAD-C
LEAD END
 24" standard 5 conductor 22AWG lead wire factory attached to one end of tape



TPLC-RGBW-O-LEAD-D
LEAD/LEAD
 24" standard 5 conductor 22AWG lead wire factory attached to both ends of tape



TPLC-RGBW-O-XEP
EXTRA LEAD WIRE
 Additional factory attached 22AWG lead wire to extend lengths of LEAD-C and LEAD-D up to 20 ft max. Sold per foot (not shipped as spooled wire)

Power Leads and Jumpers Accessories

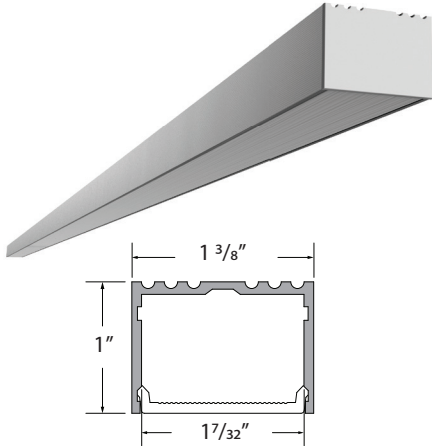
TPL-O-CONN



18-22 AWG BUTT CONNECTORS
 Used to interconnect factory attached lead wires. Sold individually. (5 ea required per connection).

Mounting Channel

ALTON



ALTN-CHAN-SLV-6.5
Anodized Aluminum Extrusion,
available in 6.5' lengths



ALTN-LNS-OPL-6.5
Lens, opal, length 6.5'



ALTN-LNS-CLR-6.5
Lens, clear, length 6.5'



ALTN-LNS-DIF-6.5
Lens, diffuser, length 6.5'

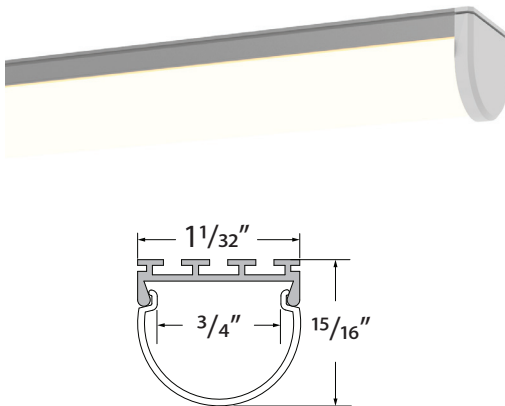


ALTN-EC-01
Solid End Cap



ALTN-EC-02
Powerfeed End Cap

DOME



DOME-CHAN-SLV-6.5
Anodized Aluminum Extrusion,
available in 6.5' lengths



DOME-LNS-OP-6.5
Lens, opal, length 6.5'

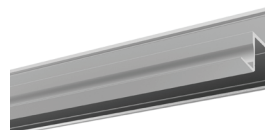
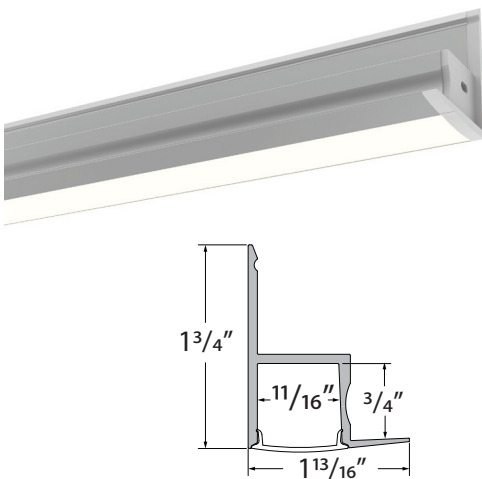


DOME-EC-01
Solid End Cap



DOME-EC-02
Power feed End Cap

EDGE



EDGE-CHAN-SLV-6.5
Anodized Aluminum Extrusion,
available in 6.5' lengths



EDGE-LNS-OP-6.5
Lens, opal, length 6.5'

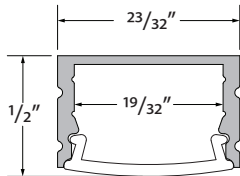
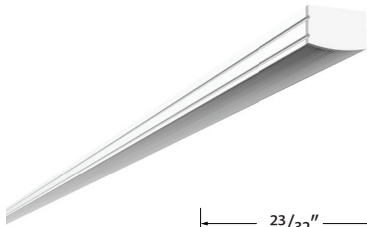


EDGE-EC-01
Solid End Cap



EDGE-EC-02
Powerfeed End Cap

MOFETT



MOFT-CHAN-SLV-6.5
Anodized Aluminum Extrusion,
available in 6.5' lengths



MOFT-LNS-OPL-6.5
Lens, opal, length 6.5'



MOFT-LNS-CLR-6.5
Lens, clear, length 6.5'



MOFT-LNS-DIF-6.5
Lens, diffuser, length 6.5'



MOFT-EC-01
Solid End Cap

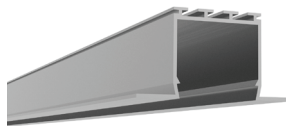
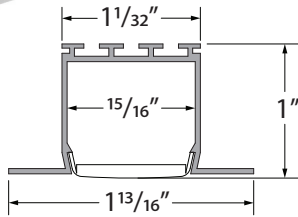
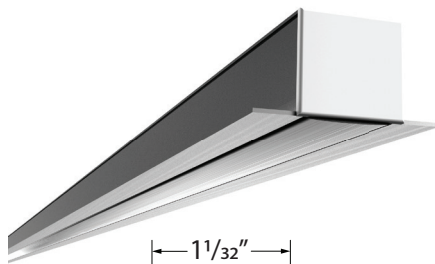


MOFT-EC-02
Powerfeed End Cap



MOFT-CLP-SLV
Clip, Metal

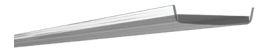
NOYES



NOYS-CHAN-SLV-6.5
Anodized Aluminum Extrusion,
available in 6.5' lengths



NOYS-LNS-OPL-6.5
Lens, opal, length 6.5'



NOYS-LNS-CLR-6.5
Lens, clear, length 6.5'



NOYS-LNS-DIF-6.5
Lens, diffuser, length 6.5'



NOYS-EC-01
Solid End Cap

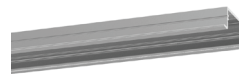
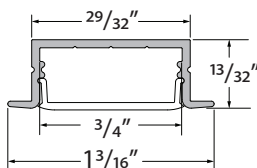
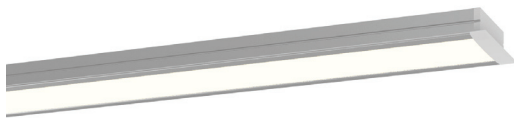


NOYS-EC-02
Powerfeed End Cap



NOYS-SPRING-CLP
Clip, Spring, Metal

WARNER



WRNR-CHAN-SLV-6.5
Anodized Aluminum Extrusion,
available in 6.5' lengths



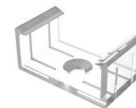
WRNR-LNS-OP-6.5
Lens, opal, length 6.5'



WRNR-EC-01
Solid End Cap



WRNR-EC-02
Power feed End Cap



WRNR-MTBK
Mounting Clip

Controls & Software

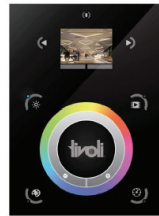
CONTROLS



Touchscreen

TVOQ-1-WH

WH (White only)
512 DMX channel, 16 scene,
4 zone, glass touch screen



Touchscreen

TVOQ-10-XX-7

XX = BK (Black), WH (White)
1024 DMX channel, 500 scene,
10 zone, glass touch screen



Touchscreen

TVOQ-2-XX

XX = BK (Black), WH (White)
512 DMX channel, 99 scene,
1 zone, glass touch screen

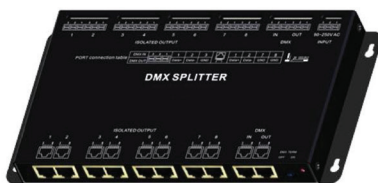
SOFTWARE



Cue™ and CuePro™ softwares are specifically designed for the TivoCUE™ in-wall DMX controls and includes an array of tools required by the latest DMX lighting fixtures. Intuitive, with easy-to-use effects that can be dropped into timelines, and multi-zone synchronization capabilities allow you to program a project effortlessly.



Accessories



DMX-SPLT-8

DMX Splitter
8 ports of DMX 512, RJ45 and 3-pin
Hardwire Connection

Note: If the number of DMX sub-controllers exceed 32 units, a DMX Splitter is required.



Power Supplies

ADNM - DMX SINGLE ADDRESS

DESCRIPTION	CAT NO	APPLICATION	PRIMARY VOLTAGE	SECONDARY VOLTAGE	CIRCUIT BREAKERS	MAX LOAD	CIRCUIT CAPACITY
ADNM Series Class 2 Transformer	ADNM-120-1-4-24-DIN	Indoor / Outdoor	100-277V AC 50/60 Hz	24V DC	1	96W	4A
	ADNM-240-2-4-24-DIN				2	2x96W	2x4A
	ADNM-320-3-4-24-DIN				3	3x96W	3x4A

ADNM - DMX MULTI ADDRESS

DESCRIPTION	CAT NO	APPLICATION	PRIMARY VOLTAGE	SECONDARY VOLTAGE	CIRCUIT BREAKERS	MAX LOAD	CIRCUIT CAPACITY
ADNM Series Class 2 Transformer	ADNM-240-2-4-24-DIN-2	Indoor / Outdoor	100-277V AC 50/60 Hz	24V DC	2	2x96W	2x4A
	ADNM-320-3-4-24-DIN-3				3	3x96W	3x4A

ADNM - DMX/DALI FLICKER-FREE FOR TV STUDIO RGB/RGBW

DESCRIPTION	CAT NO	APPLICATION	PRIMARY VOLTAGE	SECONDARY VOLTAGE	CIRCUIT BREAKERS	MAX LOAD	CIRCUIT CAPACITY
ADNM Series Class 2 Transformer	ADNM-120-1-4-24-DTVC	Indoor / Outdoor	100-277V AC 50/60 Hz	24V DC	1	1x96W	1x4A
	ADNM-240-2-4-24-DTVC				2	2x96W	2x4A
	ADNM-320-3-4-24-DTVC				3	3x96W	3x4A

DMX Sub-Controller

DESCRIPTION	CAT NO	MODES	WATTAGE	PRIMARY VOLTAGE	DIMENSION
DMX Sub-controller	TPL-RGBW-180-24	Sub-controller only	5X96W	24V DC	2.87" W X 6.46" L X 1.45" H