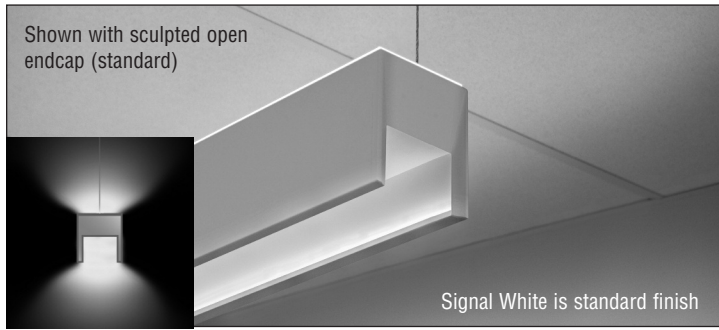


FINELITE

H04 - Indirect/Direct



Declare.



Date

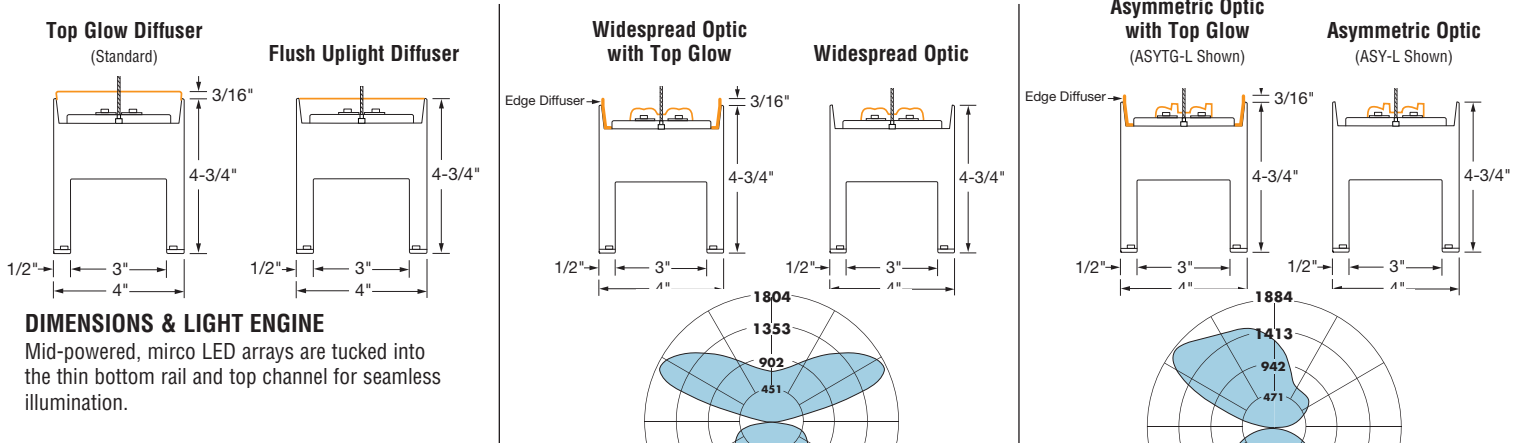
Project

Type

Comments

DESCRIPTION

H04-ID Indirect/Direct is a patent pending 4" aperture luminaire with an open aesthetic. Uplight Optical distribution options include standard lambertian, widespread and asymmetric patterns enabling more energy efficient building designs. Advanced optical design and mid-power LEDs achieve 90% of initial light output at 100,000+ hours. This product is enrolled in the International Living Future Institute (ILFI) Declare 2.0 Program and is third-party verified with options achieving Red List Approved and Declared status.



DIMENSIONS & LIGHT ENGINE

Mid-powered, micro LED arrays are tucked into the thin bottom rail and top channel for seamless illumination.

ORDERING GUIDE: Sample Number: H04-ID - RO - 32' - S - H - 835 - F - OPN - 120V - FA - OE - SC - C1 - OBO - RLA

H04-ID	<input type="text"/>	<input type="text"/>	<input type="text"/>	<input type="text"/>	<input type="text"/>	<input type="text"/>	<input type="text"/>	<input type="text"/>	<input type="text"/>	<input type="text"/>	<input type="text"/>	<input type="text"/>	<input type="text"/>	<input type="text"/>	<input type="text"/>
---------------	----------------------	----------------------	----------------------	----------------------	----------------------	----------------------	----------------------	----------------------	----------------------	----------------------	----------------------	----------------------	----------------------	----------------------	----------------------

Finelite **H04-ID**

Luminaire Style (**RO** - Rectilinear Open)

Length (Minimum 2', in 1' increments) ¹

Uplight Output (**S** - Standard, **B** - Boosted Standard, **H** - High, **V** - Very High)

Downlight Output (**S** - Standard, **B** - Boosted Standard, **H** - High, **V** - Very High)

LED CRI/CCT (**830** - 80 CRI min, 3000K **930** - 90 CRI min, 3000K
835 - 80 CRI min, 3500K **935** - 90 CRI min, 3500K
840 - 80 CRI min, 4000K **940** - 90 CRI min, 4000K)

Uplight Option (**TG** - Top Glow (standard), **F** - Flush, **WSO** - Widespread Optic, **WSOTG** - Widespread Optic with Top Glow, **ASY-L** - Asymmetric Left Optic, **ASY-R** - Asymmetric Right Optic, **ASYTG-L** - Asymmetric Left Optic with Top Glow, **ASYTG-R** - Asymmetric Right Optic with Top Glow)

Downlight Option (**OPN** - Open)

Voltage (**120V**, **277V**, **347V**)

Mounting (**FA** - Fully Adjustable)

Endcap (**OE** - Open Endcap (standard) ², **SE** - Solid Endcap)

Circuiting (**SC** - Single Circuit, **DC** - Dual Circuit) ³

Ceiling Type (**C1** - 1" T-Bar, **C2** - 9/16" T-Bar, **C3** - screw slot, **C4** - hard ceiling)

Integrated Sensor (**OBO** - Occupancy Sensor, **OBD** - Daylight) ⁴

Special Options (**RLA** - Red List Approved, **RLD** - Declared Label)

¹ Standard section lengths: 4', 8' and 12' (maximum). See page 6 for configuration information
² Open Endcap (OE) available for H04 ID with battery packs as test switch is installed on top of fixture

³ Contact factory for switching options.
⁴ Solid Endcap (SE) required at end with sensor

Patent Pending A brand of Legrand

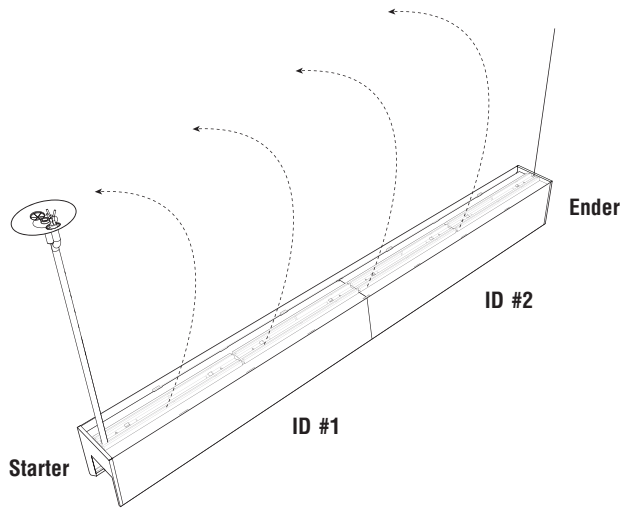
FINELITE

H04 - Indirect/Direct

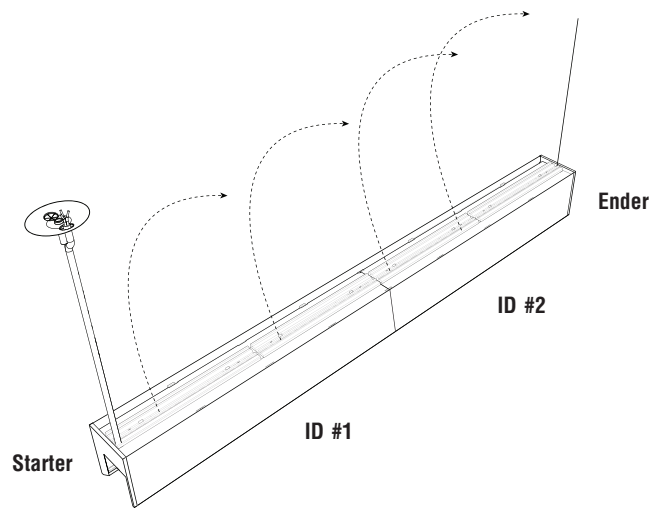
ASYMMETRIC

Use this tool to understand how to specify Asymmetric for your project. The diagrams below show a linear run from power feed to ender. Specify, ASY-L distributes light to the left or ASY-R distributed light to the right.

Asymmetric Left Optic (ASY-L)



Asymmetric Right Optic (ASY-R)



FINELITE

H04 - Indirect/Direct

PHOTOMETRY

H04-ID-RO-V-V-835-TG-OPN

Very High Output / Very High Output - 4' Luminaire

Distribution: 53% Up (V) / 47% Down (V)

Efficacy: 117 lumens per watt

Uplight: 4491 lumens (1123 lumens/foot)

Downlight: 3928 lumens (982 lumens/foot)

Total luminaire output: 8419 lumens (2105 lumens/foot)

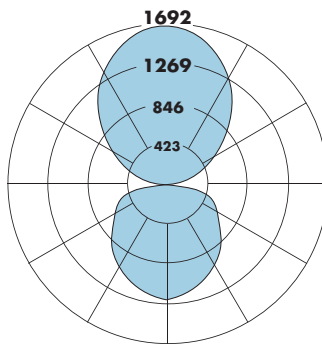
71.8 watts (18 watts/foot)

CRI: 80

CCT: 3500K

ITL LM79 Report 90233.001

(Family correlation)



CANDELA DISTRIBUTION						
	0.0	22.5	45	67.5	90	Flux
0	1207	1207	1207	1207	1207	
5	1204	1199	1192	1187	1185	113
15	1173	1145	1134	1124	1120	321
25	1108	1062	1050	1043	1040	488
35	1006	954	947	943	941	598
45	873	824	824	822	818	639
55	710	673	680	669	674	609
65	525	510	528	573	586	538
75	322	339	429	483	491	435
85	110	218	189	109	73	188
90	31	72	63	49	39	
95	93	139	133	123	113	138
105	265	317	313	306	295	322
115	487	521	535	520	508	515
125	737	763	774	762	741	679
135	999	1010	1021	1010	991	778
145	1251	1248	1254	1244	1233	779
155	1460	1449	1459	1451	1444	669
165	1608	1600	1605	1600	1595	451
175	1682	1682	1682	1682	1681	160
180	1692	1692	1692	1692	1692	

↑ Indirect	↓ Direct
------------	----------

Total Light Output, 3500K, 80 CRI (Lumens) - 4' Luminaire				
	↑S*	↑B*	↑H*	↑V**
↓S*	3446 [153% 47%↓]	3919 [159% 41%↓]	5101 [169% 31%↓]	6099 [174% 26%↓]
↓B*	3860 [148% 52%↓]	4333 [153% 47%↓]	5514 [163% 37%↓]	6512 [169% 31%↓]
↓H*	4894 [138% 62%↓]	5366 [143% 57%↓]	6548 [153% 47%↓]	7546 [160% 40%↓]
↓V*	5766 [132% 68%↓]	6239 [137% 63%↓]	7421 [147% 53%↓]	8419 [153% 47%↓]

Lumen Adjustment Factors - 80 CRI	
3000K	0.985
3500K	1.000
4000K	1.032

Light Output, 3500K, 80 CRI (Lumens Per Foot)				
	↑S*	↑B*	↑H*	↑V**
↓S*	862	980	1275	1525
↓B*	965	1083	1379	1628
↓H*	1223	1342	1637	1887
↓V*	1442	1560	1855	2105

Lumen Adjustment Factors - 90 CRI	
3000K	0.746
3500K	0.760
4000K	0.789

Apply a lumen adjustment factor to calculate lumens for the desired CCT and CRI.

Power, 3500K, 80 CRI (Watts Per Foot)				
	↑S*	↑B*	↑H*	↑V**
↓S*	7.0	8.0	10.4	12.5
↓B*	8.0	8.9	11.3	13.4
↓H*	10.4	11.3	13.8	15.9
↓V*	12.5	13.4	15.9	18.0

SAMPLE LUMEN ADJUSTMENT CALCULATION
 Very High Output (V) / Very High Output (V),
 4000K, 90 CRI

$$\text{Lumen Adjustment Factor} = 0.789$$

$$\text{Total Light Output} = 8419 \text{ lm} \times 0.789 = 6643 \text{ lm}$$

$$\text{Total Light Output per Foot} = 2105 \text{ lm/ft} \times 0.789 = 1661 \text{ lm/ft}$$

$$\text{watts/foot} = 18 \text{ W/ft}$$

$$\text{Efficacy} = \frac{1661 \frac{\text{lm}}{\text{ft}}}{18 \frac{\text{W}}{\text{ft}}} = 92 \text{ lm/W}$$

Efficacy, 3500K, 80 CRI (Lumens Per Watt)				
	↑S*	↑B*	↑H*	↑V**
↓S*	123	123	123	122
↓B*	121	121	121	121
↓H*	118	118	119	119
↓V*	115	116	117	117

S - Standard Output, B - Boosted Standard Output, H - High Output, V - Very High Output

* Family Correlation based on 4' luminaire 3500K Very High Output (V) test - 120V

** Based on ITL report: 90233

Patent Pending

A brand of Legrand

Finelite, Inc. • 30500 Whipple Road • Union City, CA 94587-1530 • (510) 441-1100 • Fax: (510) 441-1510 • www.finelite.com

FINELITE

H04 - Indirect/Direct

PHOTOMETRY

H04-ID-RO-V-V-835-WSOTG-OPN

Very High Output / Very High Output - 4' Luminaire

Distribution: 55% Up (V) / 45% Down (V)

Efficacy: 117 lumens per watt

Uplight: 4562 lumens (1141 lumens/foot)

Downlight: 3810 lumens (953 lumens/foot)

Total luminaire output: 8372 lumens (2093 lumens/foot)

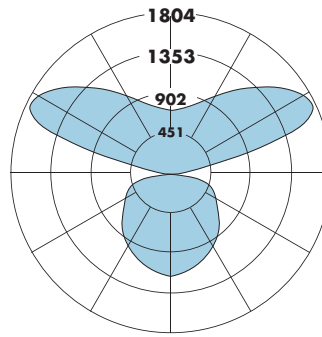
71.4 watts (17.9 watts/foot)

CRI: 80

CCT: 3500K

ITL LM79 Report 90232.001

(Family correlation)



CANDELA DISTRIBUTION						
	0.0	22.5	45	67.5	90	Flux
0	1172	1172	1172	1172	1172	
5	1169	1165	1160	1156	1155	110
15	1138	1116	1104	1096	1090	313
25	1074	1036	1024	1017	1012	475
35	975	931	924	922	919	583
45	846	800	806	802	797	623
55	690	656	664	652	655	593
65	512	496	516	555	569	523
75	310	330	413	455	462	416
85	106	202	169	112	86	175
90	12	67	60	50	40	
95	46	132	154	83	64	149
105	168	309	816	1012	710	669
115	303	431	827	1636	1797	966
125	427	538	862	1453	1678	874
135	511	603	865	1246	1411	712
145	586	654	838	1059	1157	538
155	653	687	796	904	948	370
165	703	714	756	790	807	214
175	728	730	734	738	739	70
180	731	731	731	731	731	

↑ Indirect	↓ Direct
------------	----------

Total Light Output, 3500K, 80 CRI (Lumens) - 4' Luminaire				
	↑S*	↑B*	↑H*	↑V**
↓S*	3427 [155% 45%↓]	3907 [160% 40%↓]	5108 [170% 30%↓]	6122 [175% 25%↓]
↓B*	3828 [149% 51%↓]	4308 [155% 45%↓]	5509 [164% 36%↓]	6523 [170% 30%↓]
↓H*	4831 [139% 61%↓]	5311 [144% 56%↓]	6512 [155% 45%↓]	7525 [161% 39%↓]
↓V*	5677 [133% 67%↓]	6158 [138% 62%↓]	7358 [148% 52%↓]	8372 [155% 45%↓]

Light Output, 3500K, 80 CRI (Lumens Per Foot)				
	↑S*	↑B*	↑H*	↑V**
↓S*	857	977	1277	1530
↓B*	957	1077	1377	1631
↓H*	1208	1328	1628	1881
↓V*	1419	1539	1840	2093

Power, 3500K, 80 CRI (Watts Per Foot)				
	↑S*	↑B*	↑H*	↑V**
↓S*	7.0	7.9	10.3	12.4
↓B*	7.9	8.9	11.3	13.4
↓H*	10.3	11.3	13.7	15.8
↓V*	12.4	13.4	15.8	17.9

Efficacy, 3500K, 80 CRI (Lumens Per Watt)				
	↑S*	↑B*	↑H*	↑V**
↓S*	123	123	123	123
↓B*	121	121	122	122
↓H*	117	118	119	119
↓V*	114	115	117	117

S - Standard Output, B - Boosted Standard Output, H - High Output, V - Very High Output

* Family Correlation based on 4' Luminaire 3500K Very High Output (V) test - 120V

** Based on ITL report: 90232

Lumen Adjustment Factors - 80 CRI	
3000K	0.985
3500K	1.000
4000K	1.032

Lumen Adjustment Factors - 90 CRI	
3000K	0.746
3500K	0.760
4000K	0.789

Apply a lumen adjustment factor to calculate lumens for the desired CCT and CRI.

SAMPLE LUMEN ADJUSTMENT CALCULATION

Very High Output (V) / Very High Output (V),
4000K, 90 CRI

Lumen Adjustment Factor = 0.789

Total Light Output =
8372 lm x 0.789 = 6605 lm

Total Light Output per Foot =
2093 lm/ft x 0.789 = 1651 lm/ft

watts/foot = 17.9 W/ft

$$\text{Efficacy} = \frac{1651 \frac{\text{lm}}{\text{ft}}}{17.9 \frac{\text{W}}{\text{ft}}} = 92 \text{ lm/W}$$

Patent Pending

A brand of LeGrand

Finelite, Inc. • 30500 Whipple Road • Union City, CA 94587-1530 • (510) 441-1100 • Fax: (510) 441-1510 • www.finelite.com

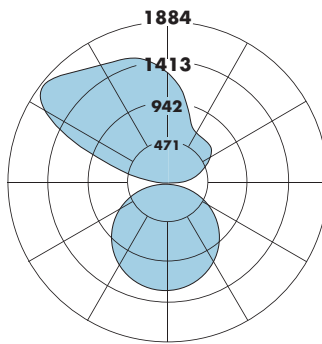
FINELITE

H04 - Indirect/Direct

PHOTOMETRY

H04-ID-RO-V-V-835-ASY-L-OPN
 Very High Output / Very High Output - 4' Luminaire
 Distribution: 52% Up (V) / 48% Down (V)
 Efficacy: 118 lumens per watt
 Uplight: 4444 lumens (1111 lumens/foot)
 Downlight: 4054 lumens (1014 lumens/foot)
 Total luminaire output: 8498 lumens (2125 lumens/foot)
 71.8 watts (18 watts/foot)

CRI: 80
 CCT: 3500K
 ITL LM79 Report Based Upon
 89988 (UP) / 90233 (Down)



CANDELA DISTRIBUTION						
	0.0	22.5	45	67.5	90	Flux
0	1246	1246	1246	1246	1246	
5	1243	1237	1230	1226	1223	117
15	1211	1184	1170	1161	1156	331
25	1143	1099	1084	1077	1073	504
35	1038	989	977	973	971	617
45	901	854	850	848	844	660
55	733	699	702	691	696	629
65	542	529	545	589	605	555
75	332	356	443	494	507	450
85	113	214	195	116	75	193
90	32	70	65	52	40	
95	142	145	146	149	57	153
105	582	627	647	445	207	432
115	1335	1341	1134	661	369	692
125	1861	1728	1288	811	545	796
135	1803	1664	1318	959	724	743
145	1657	1575	1367	1118	909	641
155	1581	1541	1432	1254	1084	513
165	1537	1515	1446	1332	1220	345
175	1401	1392	1366	1332	1293	345
180	1302	1302	1302	1302	1302	

↑ Indirect ↓ Direct

Total Light Output, 3500K, 80 CRI (Lumens) - 4' Luminaire				
	↑S*	↑B*	↑H*	↑V**
↓S*	3479 [152% 48%↓]	3947 [158% 42%↓]	5116 [168% 32%↓]	6104 [173% 27%↓]
↓B*	3905 [155% 45%↓]	4373 [152% 48%↓]	5543 [163% 37%↓]	6530 [168% 32%↓]
↓H*	4972 [137% 63%↓]	5440 [142% 58%↓]	6610 [152% 48%↓]	7597 [158% 42%↓]
↓V*	5873 [131% 69%↓]	6341 [136% 64%↓]	7510 [146% 54%↓]	8498 [152% 48%↓]

Lumen Adjustment Factors - 80 CRI	
3000K	0.985
3500K	1.000
4000K	1.032

Light Output, 3500K, 80 CRI (Lumens Per Foot)				
	↑S*	↑B*	↑H*	↑V**
↓S*	870	987	1279	1526
↓B*	976	1093	1386	1633
↓H*	1243	1360	1652	1899
↓V*	1468	1585	1878	2125

Lumen Adjustment Factors - 90 CRI	
3000K	0.746
3500K	0.760
4000K	0.789

Apply a lumen adjustment factor to calculate lumens for the desired CCT and CRI.

Power, 3500K, 80 CRI (Watts Per Foot)				
	↑S*	↑B*	↑H*	↑V**
↓S*	7.0	8.0	10.4	12.5
↓B*	8.0	8.9	11.3	13.4
↓H*	10.4	11.3	13.8	15.9
↓V*	12.5	13.4	15.9	18.0

SAMPLE LUMEN ADJUSTMENT CALCULATION
 Very High Output (V) / Very High Output (V),
 4000K, 90 CRI

Lumen Adjustment Factor = 0.789

Total Light Output =
 8498 lm x 0.789 = 6705 lm

Total Light Output per Foot =
 2125 lm/ft x 0.789 = 1677 lm/ft

watts/foot = 18 W/ft

$$\text{Efficacy} = \frac{1677 \frac{\text{lm}}{\text{ft}}}{18 \frac{\text{W}}{\text{ft}}} = 93 \text{ lm/W}$$

Efficacy, 3500K, 80 CRI (Lumens Per Watt)				
	↑S*	↑B*	↑H*	↑V**
↓S*	124	124	123	122
↓B*	122	122	122	121
↓H*	120	120	120	120
↓V*	118	118	118	118

S - Standard Output, B - Boosted Standard Output, H - High Output, V - Very High Output

* Family Correlation based on 4' luminaire 3500K Very High Output (V) test - 120V

** Based on ITL report: 8998 (UP) / 90233 (Down)

Patent Pending

A brand of LeGrand

Finelite, Inc. • 30500 Whipple Road • Union City, CA 94587-1530 • (510) 441-1100 • Fax: (510) 441-1510 • www.finelite.com

FINELITE

H04 - Indirect/Direct

SPECIFICATIONS

CONSTRUCTION: Precision-cut 6061-T6 extruded aluminum body. Internal joiner system, plug-together wiring, standard.

ENDCAPS: Sculpted open endcap extends the look of the open luminaire and adds 1/4" each end of luminaire. Solid diecast aluminum endcap adds 1/4" to each end of luminaire.

MITERED CORNER: Corners are secured with joining brackets for tight connection. Square and rectangular configurations are available. Minimum 4' length for each leg of configurations. Each corner is made up of two reflector sections 2' long.

REFLECTORS: High diffuse polymer reflector with matte white finish. UV stable, abrasion resistant, and anti-static.

UPLIGHT OPTION: Patented Top Glow Frost White Diffuser Standard. 12' maximum diffuser length. Optical distribution patterns include Widespread Optic (WSO), Widespread Optic with Top Glow (WSOTG); WSO enables increased luminaire spacing with improved ceiling uniformity, and Asymmetric (ASY).

DOWNLIGHT OPTION: Direct distribution is totally open with unique polymer reflector material that helps define the rectilinear form.

LIGHT OUTPUT: Four lumen packages available; Standard (S), Boosted Standard (B), High (H), and Very High (V). A separate chart summarizes lumen distribution and wattage. Light engines are replaceable.

LUMEN MAINTENANCE: 90% of initial light output (L90) at 100,000+ hours; 70% of initial light output (L70) at 200,000+ hours.

DRIVER: Replaceable 120V/277V and 347V Constant Current Reduction dimming driver standard. Can be wired dimming or non-dimming. 0-10V dimming controls with a range of 10%-100%. Dimming to 1% available; consult factory. Separate dimming for uplight and downlight available. Driver is fully accessible from below the ceiling. Power Factor: ≥ 0.9 . Total Harmonic Distortion (THD): $<20\%$. Expected driver lifetime: 100,000 hours.

LUTRON DRIVER OPTIONS: LUTES1 (Hi-lume 1% EcoSystem with Soft-On, Fade to Black dimming (LDE1 series)); LUTES5 (5-Series 5% EcoSystem (LDE5 Series)), LUT2W (Hi-lume 1% 2-wire, 120V forward phase dimming (LTEA series)); Contact factory for availability of discontinued Lutron drivers, L3DA-3-wire and L3DA EcoSystem.

ELECTRICAL: Optional emergency to generator/inverter wiring, internal generator transfer switch, nightlight wiring, step-dimming driver, backup battery. Factory-choice low-profile backup battery available. 8' minimum luminaire length for low profile battery pack. Bodine BSL722 battery pack also available; 4' minimum luminaire length. Backup batteries deliver 2030 lumens. Half of a 4' (one side) section will be illuminated in EM mode. Open Endcap (OE) available for H04 ID with battery packs as test switch is installed on top of fixture.

INTEGRATED SENSORS: Integrated PIR Occupancy and Daylight sensors from a variety of manufacturers can be integrated into the luminaire. Solid Endcap (SE) required at end with sensor.

MOUNTING: 50" Fully Adjustable (FA) plated steel aircraft cable with safety stop hardware standard. Contact factory for additional lengths up to 150".

FINISHES: Finelite Signal White powder coat standard. Optional Adders: 185 RAL colors.

FEED: Standard with one 18-gauge/5-conductor single-circuit feed controlling uplight and downlight together (power and dimming). Specify dual feeds for independent control of uplight and downlight. 14-gauge feed used when luminaire current exceeds 5 amps.

LENGTHS: Any lengths, 2-foot minimum, in 1' increments. 12-foot maximum section length.

LABEL S: Fixture and electrical components are ETL-listed conforming to UL 1598 in the U.S.A. and CAN/CSA C22.2 No. 250.0 in Canada. In accordance with NEC Code 410.130 (G), this luminaire contains an internal driver disconnect. Damp Location. Finelite products use electronic components that are RoHS compliant, and the mechanical components of the luminaire have been verified to not knowingly contain any restricted substances listed per RoHS Directive 2011/65/EU. Finelite makes the specification process easy when putting healthier products on your projects. Simply add – RLA (Red List Approved) or – RLD (Declared Label) to your part number.

WEIGHT: 2.8 lb/ft.

WARRANTY: 10-year performance-based warranty on all standard components. Optional accessories such as emergency battery packs are covered by their individual manufacturer warranties.

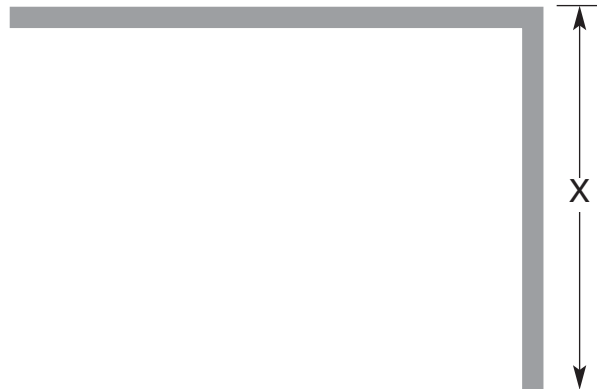
LENGTH SPECIFICATIONS FOR CONFIGURATIONS

CONFIGURATIONS



Measurements are made to the outside of the luminous area as shown above for configurations. Minimum length of any section (X) is 4'.

CORNER



Measurements are made to the outside of the luminous area as shown above for single corner. Minimum length of any section (X) is 2'.

Patent Pending

A brand of Legrand

Finelite, Inc. • 30500 Whipple Road • Union City, CA 94587-1530 • (510) 441-1100 • Fax: (510) 441-1510 • www.finelite.com