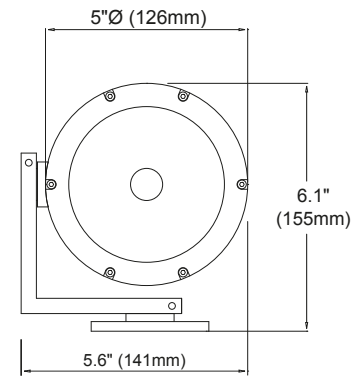
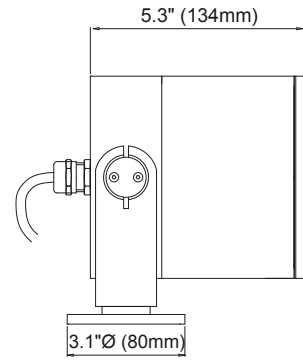


Toad Type X



Fairly large surface mounted exterior spotlight with lockable pan and tilt (available tilt $\pm 90^\circ$)

- Materials: Aluminum
- Color Temp: 2700K, 3000K, 3500K or 4000K
- Lamp: Xicato XTM or XIM 9mm or 19mm LES LED module
- Output: Please see table below. *Vibrant Series only available for 3000K*
- CRI Ra: ≥ 80 or ≥ 95 Artist
- IP Rating: IP66
- Optics: 4.4"Ø (111mm) optics. Please refer to the table below for beam options, accessories and ordering information.
- Finish: White (Standard) Pure White RAL 9010 30% gloss
Black (Standard) Powdercoat Matte Black 5% gloss
Custom paint and anodized finishes available
- Dimming: XTM EldoLED 0-10V or DMX
XIM Constant current remote driver
- Supply: XTM 48V DC
XIM
- Locking: 2.5mm Allen key required
- Available tilt: $\pm 90^\circ$
- Weight: 5.3lb (2.4kg)

LED Information

This product uses the Xicato Module
Technical advantages of the Xicato Module:

- Color consistency Initial; 1 x 2 MacAdam ellipses
- Color consistency Maintained; 3 MacAdam ellipses
- Excellent color rendering
- Uniform beam
- No multiple shadowing

Order Code	series.col temp.module.lumen code.beam.finish.dimming
Example	Toad.X.3000K.V80.31°.RAL 9010.D010

Series	Color	Module Type	Lumen Code - Max output and CRI	Beam	Finish	Dimming and control	Lenses, Louvers and Accessories
Toad.X	2700K 3000K 3500K 4000K	XTM9 XTM 9mm LES	S82 Standard Series 82 2000lm 30.2 A95 Artist Series 95 1560lm 30.2 V80 Vibrant Series V80 2000lm 30.2* V95 Vibrant Series V95 1560lm 30.2*	08° 18° 31° 57°	white black custom	D010 Remote 0-10V DMX DMX	SL Symmetrical spread lens TE Soft Elliptical spread lens PE Sharp Elliptical spread lens HL Honeycomb louver DL Dichroic lens
		XTM19 XTM 19mm LES	S82 Standard Series 82 3850lm 34.1 A95 Artist Series 95 3000lm 34.1 V80 Vibrant Series V80 3850lm 34.1* V95 Vibrant Series V95 3000lm 34.1*	14° 24° 43° 58°	white black custom		
		XIM9 XIM 9mm LES	S82 Standard Series 82 2000lm 30.2 A95 Artist Series 95 1300lm 30.2 V80 Vibrant Series V80 2000lm 30.2* V95 Vibrant Series V95 1300lm 30.2*	08° 18° 31° 57°	white black custom	D010 Remote 0-10V	
		XIM19 XIM 19mm LES	S82 Standard Series 82 3000lm 34.1 A95 Artist Series 95 2000lm 34.1 V80 Vibrant Series V80 3000lm 34.1* V95 Vibrant Series V95 2000lm 34.1*	14° 24° 43° 58°	white black custom		

Xicato Thermal Validation Program approved



STOANE LIGHTING

410 381 1497 inter-lux.com answers@inter-lux.com
Inter-lux reserves the right to make technical changes without notice.