

RL38ICESA-W

6" Incandescent Economy New Construction StopAire IC Rated Recessed Downlight with Floating Socket

Specifications/Features

Housing/Mounting

Aluminum housing with galvanized steel mounting frame.
Floating socket with spring for attaching to trim.
Dual Extension bars adjustable for 16" and 24" center joists (14-1/4" – 24-1/2").
Nailer bar hangers with locking screw for easy installation. Hanger bars may be extended to rest on T-bar ceilings. Optional clip-on T-bar hangers also available.

Lamp/Electrical

Input Voltage: 120V AC, 60Hz.
(1) 40W or 60W A19, 60W or 75W PAR38, 65W BR30 or 75W PAR30.
Prewired junction box with convenient screwdriver pry-outs: (5) 1/2" and (4) Romex pry-outs.
Spring-latch access plates on junction box.
Quick-connect push-in wire connectors provided.
Approved for through-circuit wiring. Max: (8) #12 AWG (4 in/4 out).

Trims

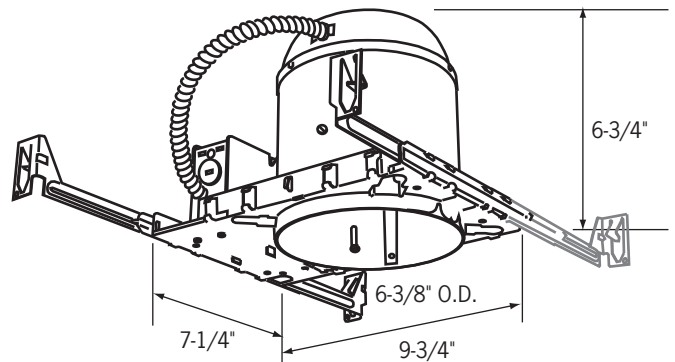
Many different trims options are available to complement any design style.

Warranty

This fixture is covered by ConTech's full one year replacement guarantee after date of purchase.

Listing

cULus listed. Suitable for damp locations.
Conforms to Washington State Energy code (WSEC) for low air infiltration. Tested in accordance with ASTM E283 (2.0 CRM or less).



Ceiling Opening: 6-1/2"
Ceiling Thickness: 1/2" – 1-1/2"

Ordering Information

Example Order:

Housing

RL38ICESA-W

Trims

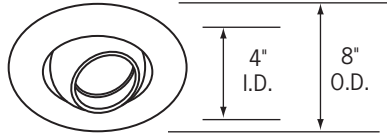
- CTR3008** - Eyeball
- CTR3009** - Regressed Eyeball
- CTR6001AT** - Self Flanged Baffle
- CTR1921CLR-BLK** - Black Baffle, Clear Reflector
- CTR1921WHT-WHT** - White Baffle, Clear Reflector

Options

- CTR618** - 6" Round Line Voltage Adapter Plate
- HB-30** - 30" T-Bar Hanger Set
- RL-725-(B,P)¹** - Minimum Trim Ring for 6" Trim, 7-1/4" O.D.
- RL-75-(B,P)¹** - Replacement Trim Ring for 6" Trim, 7-1/2" O.D.
- RL-08-(B,P)¹** - Oversized Trim Ring for 6" Trim, 7-13/16" O.D.

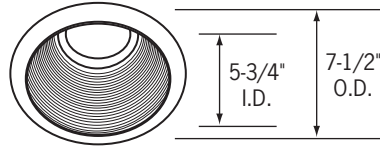
1. Compatible with CTR3009

Trims for 6" Incandescent RL38ICESA-W Recessed Housing



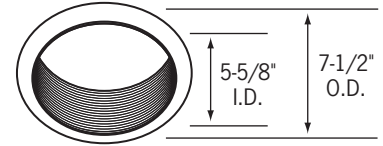
CTR3008-P

Eyeball; White Trim
 35° Vertical adjustment. Beveled steel trim ring.
 Polyethylene sponge gaskets. (2) Butterfly spring
 clips, heat-treated steel. Steel eyeball construction.
Maximum Wattage: 75W PAR30, 65W BR30



CTR6001AT(B, WHT)

Self flanged, air-tight, tapered baffle.
 Black Baffle/Trim Ring (B) or White Baffle/Trim
 Ring (WHT)
Maximum Wattage: 75W PAR30, 60W A19, 65W BR30,
 75W PAR38



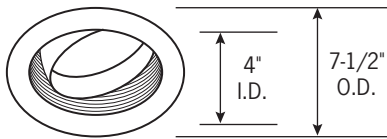
CTR1921CLR-BLK

Black Baffle, Clear Upper Reflector, White Plastic
 Trim Ring

CTR1921WHT-WHT

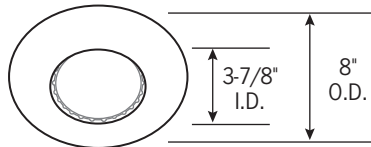
White Baffle, White Upper Reflector, White Plastic
 Trim Ring

Maximum Wattage: 65W BR30, 75W PAR30S,
 75W PAR30L, 75W PAR38



CTR3009-WHT

Regressed Eyeball; White Trim/White Baffle
 30° Vertical adjustment. Flat, high-heat ABS white
 trim ring. (3) Leaf reflector clips: spring steel,
 heat-treated, black oxidation plated. White aluminum
 tapered baffle. White steel eyeball construction.
Maximum Wattage: 75W PAR30



CTR3000Y-P

Open Trim
 Painted white steel beveled trim ring. Polyethylene
 sponge gasket.
Maximum Wattage: 65W BR30, 75W PAR30L