

ETL19

Mini Stealth LED Wall Lighter Track Luminaire with 0-10V Dimming Track System Adapter

Specifications/Features

Fixture

High performance, eco-friendly LED track fixture delivering up to 3500 lumens in a smooth wide beam providing excellent uniformity; well suited for any wall lighting application.

Available in four (4) wattage/lumen options to provide the right light levels for any wall lighting application.

Cast and finned aluminum heatsink has been thermally engineered to provide optimal heat dissipation ensuring long life and consistent performance.

Dimming is available (120V only) and allows smooth illumination down to 5%. For dimmer compatibility of standard "D" driver option, refer to Dimming Specifications sheet.

Lockable, precision aiming adjustment: 360°+ aiming horizontal and 360° vertical rotation.

Integral ON/OFF switch and track polarity indicator are standard.

Lamp

Light engine consists of a single, high lumen output multi-chip LED array.

Available in the following color temperatures: 2700K, 3000K, 3500K and 4000K; CRI 80 min., 83 Typical. High CRI 90+ available.

Excellent fixture to fixture color consistency within a 3-step MacAdam Ellipse tolerance.

System designed and rated for 50,000 hours at 70% lumen maintenance.

Electrical

The CTL19 fixtures operate at 120V - 277V with ERP drivers dimmable to 5% at 120V only. For additional information, consult factory.

Warranty

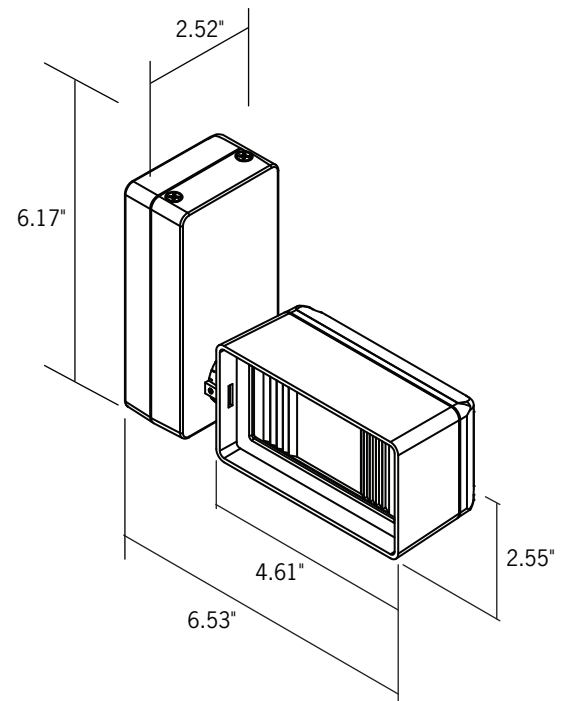
This complete fixture is covered by ConTech's full five (5) year replacement guarantee after date of purchase.

Listing

cCSAus Certified to UL standards. Suitable for dry locations.

Energy Star approved at 120V and 277V.

DLC Listed at 120V only.



Ordering Information

Example Order: -

Fixture	Orientation	Color Temp	Driver Option	Finish	Eutrac Adapter	Data Bus
<input type="text"/>	<input type="text"/>	<input type="text"/>	<input type="text"/>	<input type="text"/>	<input type="text"/>	<input type="text"/>
ETL190 - 14W/1600Lm ETL191 - 19W/2200Lm ETL192 - 28W/2900Lm ETL193 - 35W/3500Lm	V - Vertical	27 - 2700K 3 - 3000K 35 - 3500K 4 - 4000K 27C - 2700K, 90+ CRI 3C - 3000K, 90+ CRI 35C - 3500K, 90+ CRI 4C - 4000K, 90+ CRI	D - Dimming	B - Black P - White S - Silver	- 120V 2C/2N Leave Blank 27 - 277V 2C/2N	DB - Data Bus

Accessories

- FA-59-(B,P,S)** - Accessory Holder
- FA-60-(B,P,S)** - Snoot/Access. Holder
- FA-61-(B,P,S)** - Visor/Access. Holder
- BD19-(B,P,S)** - Barn Doors/Access. Holder
- LF59-*** - Tempered Glass Lenses*
- FA-62*** - Honeycomb Louver

*Accessory Holder is required

*Color/Pattern Legend

-A (Amber), -B (Blue), -CL (Clear), -G (Green), -DPE (Dichroic Peach), -LB (Light Blue), -R (Red), -RO (Rose), -Y (Yellow), -73 (Spread Lens), -LSV (Linear Spread Lens, Vertical), -LSH (Linear Spread Lens, Horizontal), -SL (Soft Light), -SOL (Solite)

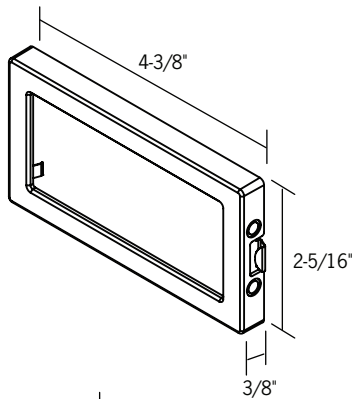
ETL19

Mini Stealth LED Wall Lighter Track Luminaire Accessories

Catalog No. _____

Type _____

Project _____

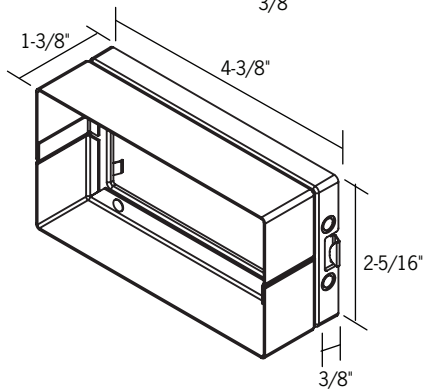


Accessory Holder

Will accept up to two (2) LF59 lenses or FA-62 louvers. Finish: B,P,S



FA-59

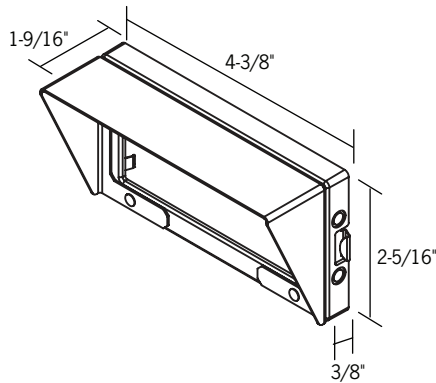


Snoot

Will accept up to two (2) LF59 lenses or FA-62 louvers. Finish: B,P,S, for P and S finishes, the inside surface is black.



FA-60

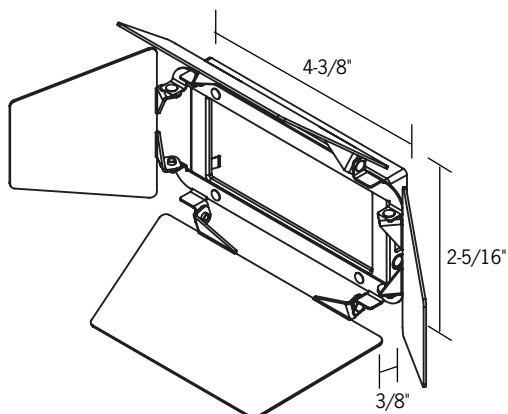


Visor

Will accept up to two (2) LF59 lenses or FA-62 louvers. Finish: B,P,S, for P and S finishes, the inside surface is black.



FA-61

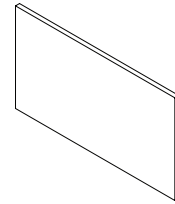


Barn Doors

Barn doors extend 3" max. from face of fixture. Width: 3-1/2" - 9-3/4", Height: 1-1/2" - 7-3/4". Will accept up to two (2) LF59 lenses or FA-62 louvers. Finish: B,P,S



BD19



Tempered Glass Lenses

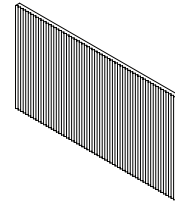
3-15/16" L x 2"H x 1/8" D



LF59 - (A, B, CL, DPE, G, LB, R, RO, Y, 73, SL, SOL, UV)

Color/Pattern Legend

-A (Amber), -B (Blue), -CL (Clear), -G (Green), -DPE (Dichroic Peach), -LB (Light Blue), -R (Red), -RO (Rose), -Y (Yellow), -73 (Spread Lens), -SL (Soft Light), -SOL (Solite), -UV (Optivex UV Filter)

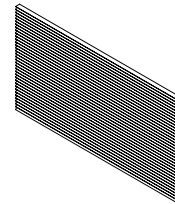


Linear Spread Lens, Horizontal

Linear spread glass with vertical ribs designed to elongate beams horizontally. 3-15/16" L x 2"H x 1/8" D



LF59-LSH

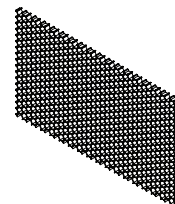


Linear Spread Lens, Vertical

Linear spread glass with horizontal ribs designed to elongate beams vertically. 3-15/16" L x 2"H x 1/8" D

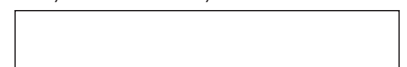


LF59-LSV



Honeycomb Louver

Glare control and shielding accessory. 3-15/16" L x 2" H x 1/8" D



FA-62

ETL19

Mini-Stealth LED Wall Lighter Track Luminaire with 0-10V Dimming Track System Adapter

Photometrics: NCTL193V3D-P 35W

Lumen output values fluctuate based on CCT and CRI. To estimate lumen output of the various CCT/CRI options, multiply 3000K (80 CRI min) results by the following:

CCT	Standard CRI	High CRI
2700K	.95	.74
3000K	N/A	.85
3500K	1.03	.89
4000K	1.07	.92

For 14W data multiply results by .46, for 19W data multiply results by .64, for 28W data multiply results by .85

Footcandles on Wall

Track 3 Feet From Wall, 10' Mounting Height, Tilted 40 Degrees

Distance From Ceiling		Single Unit					Multiple Units									
		0'	1'	2'	3'	4'	5'	4' On Center			6' On Center			8' On Center		
		▼						▼	▼	▼	▼	▼	▼	▼	▼	▼
1'	99	84	55	30	13	5	120	114	120	100	55	99	97	25	101	
2'	109	94	63	34	15	6	138	133	137	112	68	111	107	32	111	
3'	103	92	66	39	20	9	141	142	141	110	78	110	104	39	107	
4'	66	62	49	32	18	10	104	108	104	76	66	76	68	37	70	
5'	41	39	34	25	16	9	75	78	76	53	51	53	45	32	46	
6'	26	25	22	18	13	8	55	56	55	37	38	37	31	26	31	
7'	17	16	15	13	10	7	40	41	41	27	28	27	22	21	22	
8'	11	11	10	9	7	6	30	30	30	21	21	20	16	16	16	
9'	6	6	6	5	5	4	23	23	23	16	16	16	12	13	12	

▼ is the beam center

Track 4 Feet From Wall, 10' Mounting Height, Tilted 40 Degrees

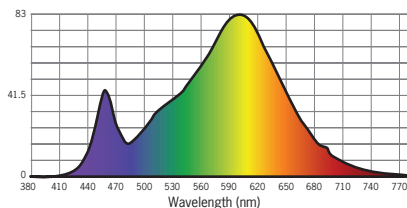
Distance From Ceiling		Single Unit					Multiple Units									
		0'	1'	2'	3'	4'	5'	4' On Center			6' On Center			8' On Center		
		▼						▼	▼	▼	▼	▼	▼	▼	▼	▼
1'	52	47	36	24	14	7	78	78	78	58	47	57	53	26	55	
2'	63	58	45	29	16	8	98	100	98	72	60	72	66	34	67	
3'	72	67	53	36	22	12	118	121	118	84	74	84	76	44	76	
4'	57	54	46	33	21	12	104	108	104	72	70	72	62	44	62	
5'	41	39	35	28	19	12	84	86	84	57	58	56	47	39	47	
6'	29	28	26	22	16	11	66	67	66	44	46	44	36	33	35	
7'	20	20	19	16	13	10	52	53	52	35	37	35	27	27	27	
8'	14	14	13	12	10	8	41	42	41	28	29	28	22	22	21	
9'	10	10	10	9	8	6	34	34	34	23	24	23	17	18	17	

▼ is the beam center

*All multiple layouts are based on five fixtures aimed at 40 degrees from nadir.

Fixture Wattage	Total Watts @120V	Light Output (Fixture Delivered Lumens)	Lumens Per Watt	LM-63 Test #
14W	13.6W	1621Lm	119.2 Lm/W	G19012501
19W	19.5W	2245Lm	115.1 Lm/W	G19012403
28W	27.6W	2984Lm	108.1 Lm/W	G19012402
35W	35.2W	3529Lm	100.2 Lm/W	G19012401

Color Rendering Index (CRI)¹: 81
 Color Temperature (CCT)²: 3048
 Spectral Power Distribution Chart³



1. Accuracy of rendering colors
2. Color appearance of light source
3. Colors present within the light source

LM-79 Test: 85820

ETL19

Mini-Stealth LED Wall Lighter Track Luminaire with 0-10V Dimming Track System Adapter

TM-30 Data: CTL192H3D

TM-30 Test: 92025-SPHERE

R_f	82	CCT (K)	3023
R_g	96	D_{uv}	-0.0009
		u'	0.2501
LER	329	v'	0.5196

