

# ETL84C

## Gallery Series LED Cylinder Track Fixture with 0-10V Dimming Track System Adapter

### Specifications/Features

#### Fixture

High performance, small scale LED track fixture available in two (2) wattages: 10W (1000lm\*) and 14W (1400lm\*).

\*Lumen values are approximate, see page 3 for photometric test results.

In addition to the standard accent track fixture, the gallery series is available in a wall wash configuration; providing smooth even illumination on vertical surfaces. Constructed of die-cast aluminum, the cylindrical body provides thermal management while providing a sleek modern look, designed to quietly compliment any space.

Dimming is standard for all wattage options (120V only) and allows smooth illumination down to 10%. Compatible with most incandescent (forward phase) and ELV (reverse phase) dimmers. For dimmer compatibility, refer to Dimming Specifications sheet.

Lockable, precision aiming adjustment. 360°+ aiming horizontal rotation, 90° vertical rotation.

Integral ON/OFF switch and track polarity indicator are standard.

Can accept up to (2) LF16 60MM lenses or FA-16 60MM black honeycomb louvers when used with the FA-84 accessory holder, FA-85 snoot, or BD84 barn doors, ordered separately.

Fixture weight: 2LBS.

#### Lamp

Light engine consists of a single, high lumen output CREE multi-chip LED array. Available in the following color temperatures:

2700K; CRI 80 min., 83 Typical (High CRI 90+ available)

3000K; CRI 80 min., 83 Typical (High CRI 90+ available)

3500K; CRI 80 min., 83 Typical (High CRI 90+ available)

4000K; CRI 80 min., 83 Typical (High CRI 90+ available)

3000K; CRI 90+, Crisp White

The 3000K Crisp White LED delivers 90+ color rendering with additional violet wavelengths that enhance white visibility.

Excellent fixture-to-fixture color consistency within a 2-step MacAdam Ellipse tolerance.

Available in Spot (12°), Medium (28°) and Flood (44°) beam distributions.

Each molded TIR optic has been optically engineered to provide a smooth uniform beam, maximizing output and minimizing glare.

System designed and rated for 50,000 hours at 70% lumen maintenance.

#### Electrical

10W Driver Specifications: Input Wattage 10W; Output Current 250mA

Input Voltage: 120V VAC Dimming

Dimming: Leading Edge (Incandescent) or Trailing Edge (ELV), 120V Only

14W Driver Specifications: Input Wattage 14W; Output Current 350mA

Input Voltage: 120V VAC Dimming

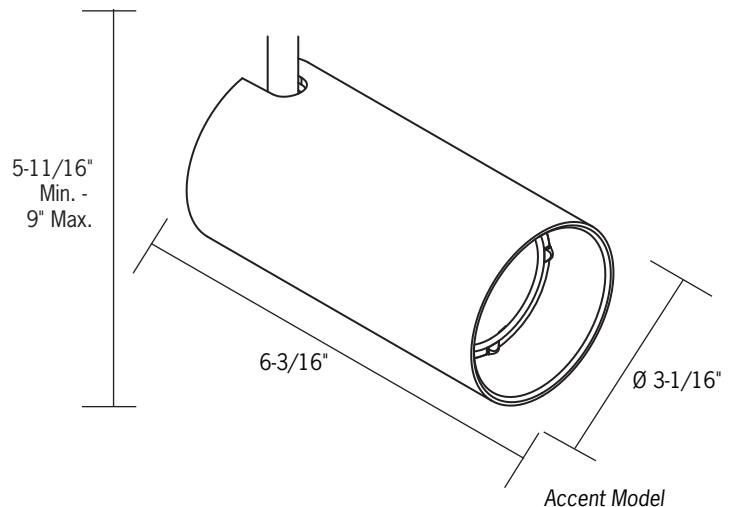
Dimming: Leading Edge (Incandescent) or Trailing Edge (ELV), 120V Only

#### Warranty

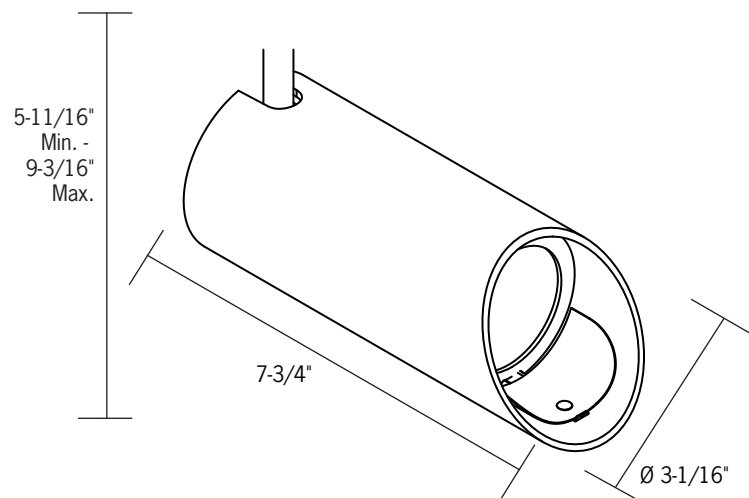
This complete fixture is covered by ConTech's full five (5) year replacement guarantee after date of purchase.

#### Listing

cCSAus certified to UL Standards. Suitable for dry locations.



Accent Model



Wall Wash Model

# ETL84C

## Gallery Series LED Cylinder Track Fixture with 0-10V Dimming Track System Adapter

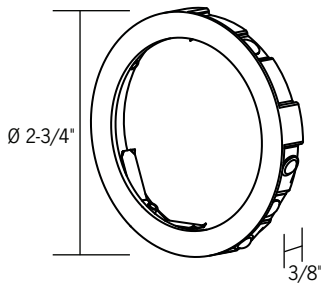
### Ordering Information

Example Order:  -

Fixture	Beam	Color Temp	Dimming Option	Finish	Eutrac Adapter	Data Bus
<input type="text"/>	<input type="text"/>	<input type="text"/>	<input type="text"/>	<input type="text"/>	<input type="text"/>	<input type="text"/>
<b>ETL84C1</b> - 10W/1000Lm <b>ETL84C2</b> - 14W/1400Lm	<b>S</b> - Spot <b>M</b> - Medium <b>F</b> - Flood <b>WW</b> - Wall Wash*	<b>27</b> - 2700K <b>3</b> - 3000K <b>35</b> - 3500K <b>4</b> - 4000K <b>27C</b> - 2700K, 90+ CRI <b>3C</b> - 3000K, 90+ CRI <b>35C</b> - 3500K, 90+ CRI <b>4C</b> - 4000K, 90+ CRI <b>3W</b> - 3000K, 90+ CRI, Crisp White	<b>D</b> - Dimming	<b>B</b> - Black <b>P</b> - White <b>S</b> - Silver	- 120V 2C/2N Leave Blank <b>27</b> - 277V 2C/2N	<b>DB</b> - Data Bus

\*Includes angled housing and wall wash kicker accessory

### Accessories

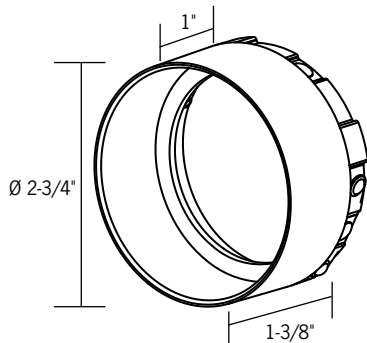


#### Accessory Holder

Will accept up to two (2) LF16\_60MM lenses or FA-16 60MM louvers. Finish: B



**FA-84**

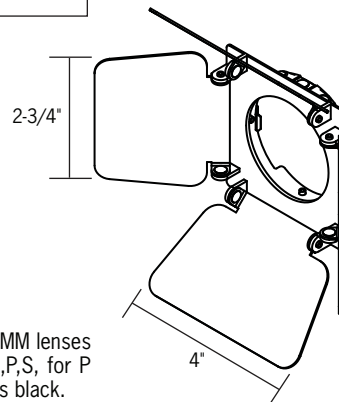


#### Snoot

Will accept up to two (2) LF16\_60MM lenses or FA-16 60MM louvers. Finish: B,P,S, for P and S finishes, the inside surface is black.



**FA-85**

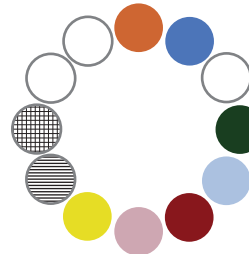


#### Barn Doors

Barn doors extend 2-3/4" max. from face of fixture. 3-1/2" Min. - 7-3/4" max. Will accept up to two (2) LF16\_60MM lenses or FA-16 60MM louvers. Finish: B



**BD84**



#### Lenses, Louvers, and Optics



- 2INOPTIC-S** - 2" TIR Optic, Spot Beam
- 2INOPTIC-M** - 2" TIR Optic, Medium Beam
- 2INOPTIC-F** - 2" TIR Optic, Flood Beam
- 5500011** - 2" Diffusion Disc
- FA-16 60MM** - 2-3/8" Dia. Black Honeycomb Louver
- LF16-(A, B, CL, G, LB, R, RO, Y, 73, LS, SL, SOL) 60MM\*** - 2-3/8" Dia. Tempered Glass Lenses; Requires FA-84 Accessory Holder, FA-85 Snoot or BD84 Barn Doors

\*Color/Pattern Legend

-A (Amber), -B (Blue), -CL (Clear), -G (Green), -LB (Light Blue), -R (Red), -RO (Rose), -Y (Yellow), -73 (Spread Lens), -LS (Linear Spread Lens), -SL (Soft Light), -SOL (Solite), -UV (Optivex UV Filter)

# ETL84C

## Gallery Series LED Cylinder Track Fixture with 0-10V Dimming Track System Adapter

### Photometrics

Lumen output values fluctuate based on CCT and CRI. To estimate lumen output of the various CCT/CRI options, multiply 3000K (80 CRI min) results by the following:

CCT	Standard CRI	High CRI	Crisp White
2700K	.935	.703	N/A
3000K	N/A	.754	.787
3500K	1.0	.812	N/A
4000K	1.0	.87	N/A

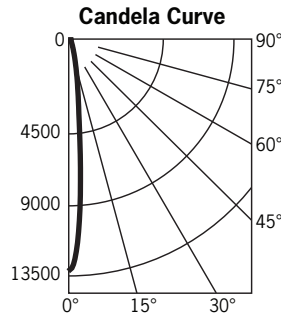
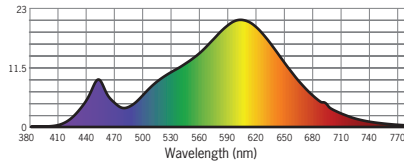
To calculate 10W values, multiply results by .74

### 14W Spot Beam, 3000K: CTL84C2S3D

Designed for 50,000 Hour Lamp Life<sup>1</sup>; LM-63 Test No. 88246

Light Output (Fixture Delivered Lumens): 1026  
Total Watts@120V: 13; Lumens Per Watt: 78.9  
Center Beam Candle Power: 13311  
Color Rendering Index (CRI)<sup>2</sup>: 82  
Color Temperature (CCT)<sup>3</sup>: 2987K  
Spectral Power Distribution Chart<sup>4</sup>

LM-79 Test No. 88246



#### Candlepower Summary

FROM 0	CANDELA	LUMENS
0	13311	
5	7986	582
15	1231	357
25	142	76
35	11	8
45	2	2
55	1	1
65	0	0
75	0	0
85	0	0
95	0	0

#### Intensity Distribution

DISTANCE (FT.)	FOOTCANDLES (FC)	BEAM DIAMETER (FT.)
4'	831.9	0.8
6'	369.8	1.2
8'	208.0	1.6
10'	133.1	2.0
12'	92.4	2.4
14'	67.9	2.9

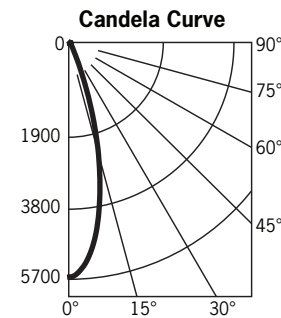
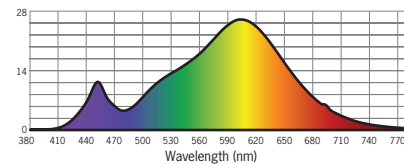
Beam Distribution: 12°  
Spacing Criterion: 0.20

### 14W Medium Beam, 3000K: CTL84C2M3D

Designed for 50,000 Hour Lamp Life<sup>1</sup>; LM-63 Test No. 88247

Light Output (Fixture Delivered Lumens): 1294  
Total Watts@120V: 13; Lumens Per Watt: 99.5  
Center Beam Candle Power: 5658  
Color Rendering Index (CRI)<sup>2</sup>: 82  
Color Temperature (CCT)<sup>3</sup>: 2978K  
Spectral Power Distribution Chart<sup>4</sup>

LM-79 Test No. 88247



#### Candlepower Summary

FROM 0	CANDELA	LUMENS
0	5658	
5	5180	456
15	2472	652
25	229	150
35	45	31
45	2	4
55	1	1
65	0	0
75	0	0
85	0	0
95	0	0

#### Intensity Distribution

DISTANCE (FT.)	FOOTCANDLES (FC)	BEAM DIAMETER (FT.)
4'	353.6	1.9
6'	157.2	2.8
8'	88.4	3.7
10'	56.6	4.7
12'	39.3	5.6
14'	28.9	6.5

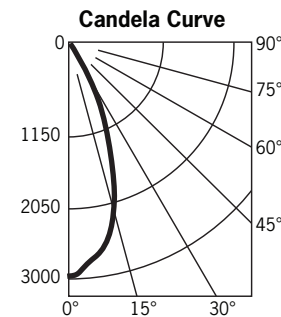
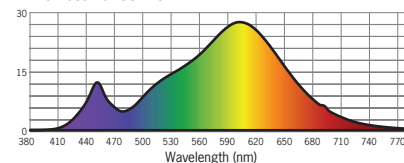
Beam Distribution: 28°  
Spacing Criterion: 0.45

### 14W Flood Beam, 3000K: CTL84C2F3D

Designed for 50,000 Hour Lamp Life<sup>1</sup>; LM-63 Test No. 88248

Light Output (Fixture Delivered Lumens): 1432  
Total Watts@120V: 13; Lumens Per Watt: 108.5  
Center Beam Candle Power: 2650  
Color Rendering Index (CRI)<sup>2</sup>: 82  
Color Temperature (CCT)<sup>3</sup>: 2987K  
Spectral Power Distribution Chart<sup>4</sup>

LM-79 Test No. 88248



#### Candlepower Summary

FROM 0	CANDELA	LUMENS
0	2650	
5	2625	266
15	2121	601
25	1018	471
35	169	106
45	20	15
55	2	2
65	0	0
75	0	0
85	0	0
95	0	0

#### Intensity Distribution

DISTANCE (FT.)	FOOTCANDLES (FC)	BEAM DIAMETER (FT.)
4'	165.6	3.2
6'	73.6	4.9
8'	41.4	6.5
10'	26.5	8.1
12'	18.4	9.7
14'	13.5	11.4

Beam Distribution: 44°  
Spacing Criterion: 0.69

1. Dependent on surrounding temperatures, 2. Accuracy of rendering colors, 3. Color appearance of light source, 4. Colors present within the light source

# ETL84C

## Gallery Series LED Cylinder Track Fixture with 0-10V Dimming Track System Adapter

### Photometrics

Lumen output values fluctuate based on CCT and CRI. To estimate lumen output of the various CCT/CRI options, multiply 3000K (80 CRI min) results by the following:

CCT	Standard CRI	High CRI	Crisp White
2700K	.935	.703	N/A
3000K	N/A	.754	.787
3500K	1.0	.812	N/A
4000K	1.0	.87	N/A

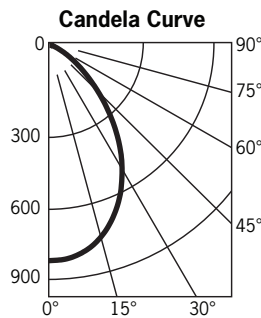
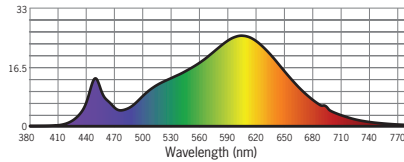
To calculate 10W values, multiply results by .74

### 14W Wall Wash Beam, 3000K: CTL84C2WW3D

Designed for 50,000 Hour Lamp Life<sup>1</sup>; LM-63 Test No. 87712

Light Output (Fixture Delivered Lumens): 1146  
 Total Watts@120V: 13.2; Lumens Per Watt: 86.8  
 Center Beam Candle Power: 826  
 Color Rendering Index (CRI)<sup>2</sup>: 84  
 Color Temperature (CCT)<sup>3</sup>: 3038K  
 Spectral Power Distribution Chart<sup>4</sup>

LM-79 Test No. 87712



### Candlepower Summary

FROM 0	CANDELA	LUMENS
0	826	
5	824	77
15	768	211
25	652	280
35	503	261
45	350	176
55	211	85
65	110	37
75	46	13
85	12	4
95	4	1

### Intensity Distribution

DISTANCE (FT.)	FOOTCANDLES (FC)	BEAM DIAMETER (FT.)
4'	51.6	4.0
6'	22.9	6.1
8'	12.9	8.1
10'	8.3	10.1
12'	5.7	12.1
14'	4.2	14.1

Beam Distribution: 72°  
 Spacing Criterion: 1.01

1. Dependent on surrounding temperatures, 2. Accuracy of rendering colors, 3. Color appearance of light source, 4. Colors present within the light source